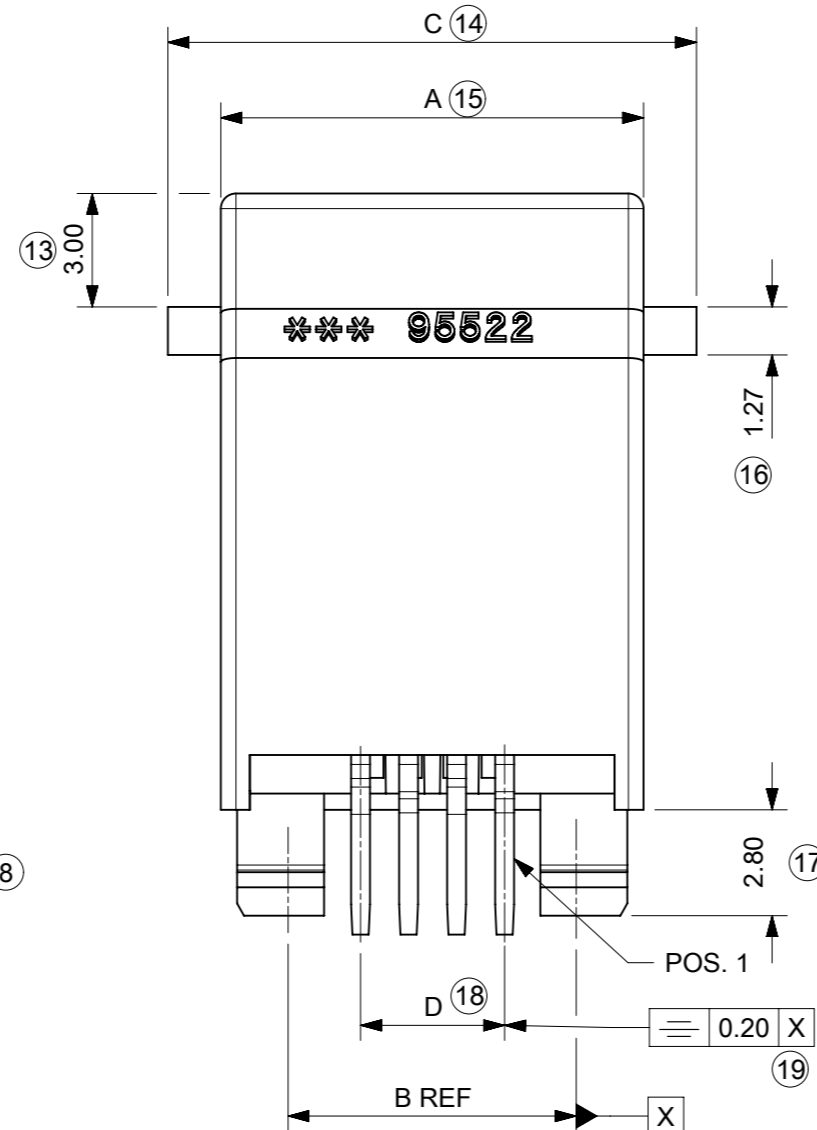
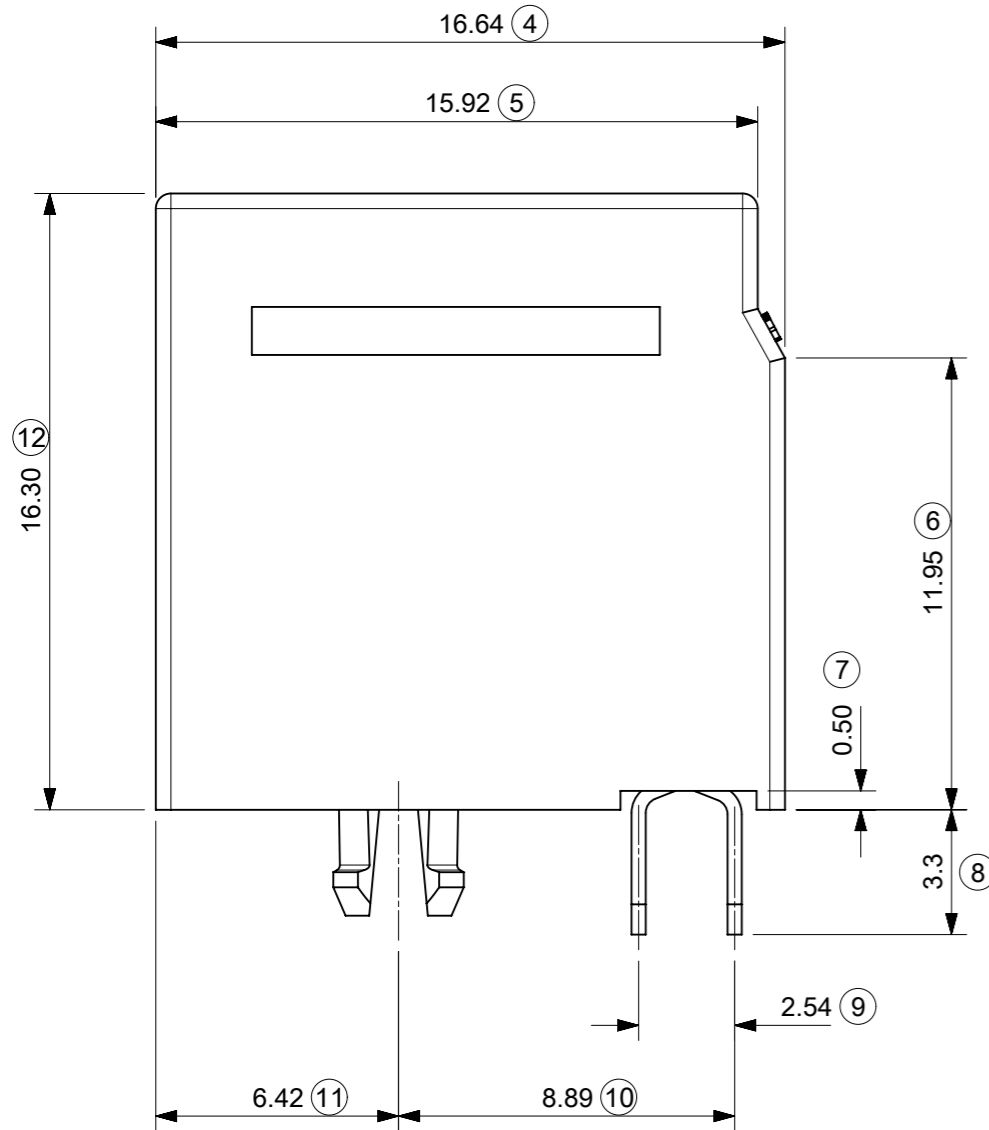
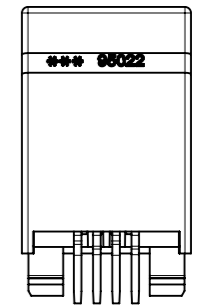
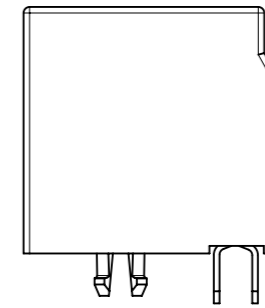


VERSION WITHOUT RIBS

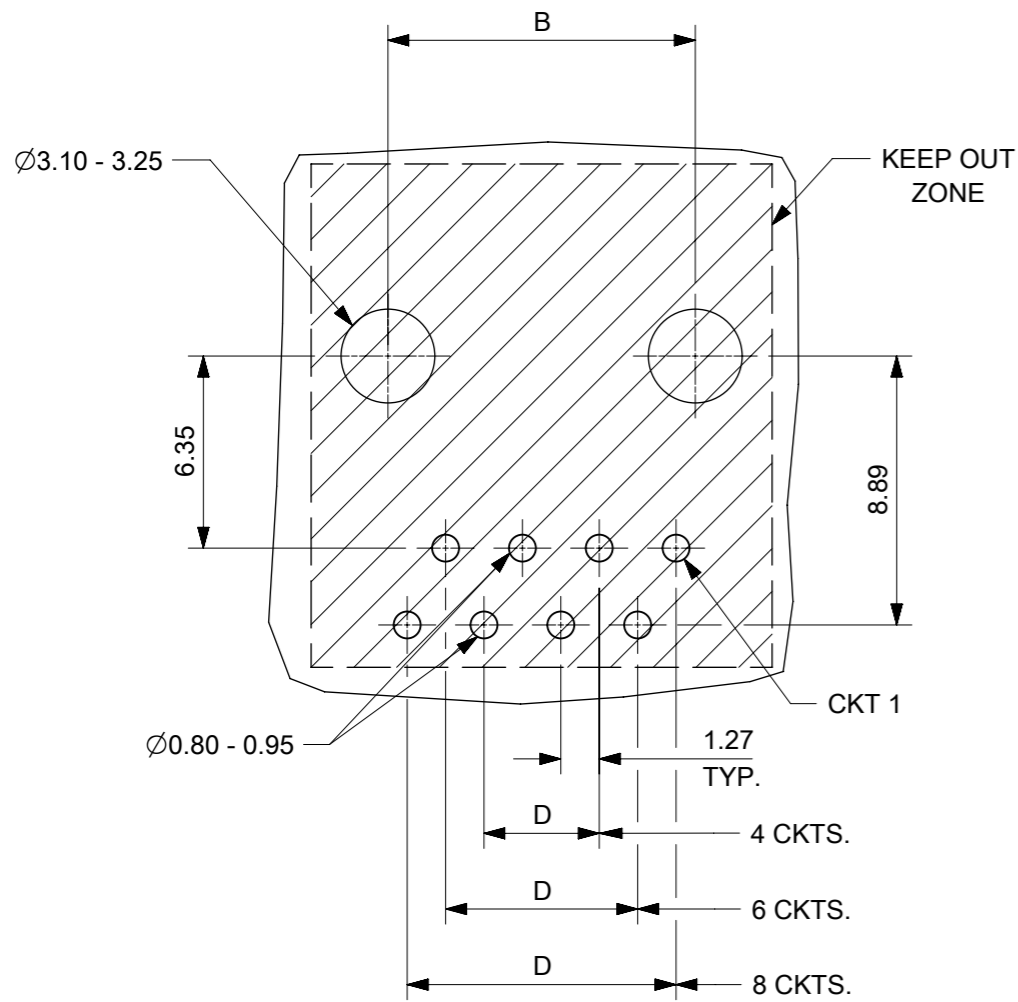


**NOTES:**

1. MATERIAL:  
HOUSING: LCP FIBER GLASS FILLED 94-V0 COLOR BLACK  
TERMINAL: COPPER ALLOY PLATED WITH:  
BASE FINISH: NICKEL  
CONTACT SURFACE FINISH:  
GOLD  
OR  
GOLD FLASH OVER PALLADIUM NICKEL  
EXCEEDS PRODUCT REQUIREMENTS BASED ON PS-95522-002
2. PC BOARD THICKNESS: 1.57
3. JACK FOR MATING WITH IEC 60603-7 AND TIA-1096-A PLUGS
4. PRODUCT SPECIFICATION PS-95522-002.
5. APPLICATION SPECIFICATION AS-85513-001
6. PACKAGING SPECIFICATION PK-95022. (SHT. 1 TRAY PACKAGING)  
PK-95022. (SHT. 2 TUBE PACKAGING)
7. FOR ILLUSTRATION PURPOSES A 4 CIRCUIT IS SHOWN
8. PACKAGING SPECIFICATION RPK-95022-001 (TUBE PACKAGING)
9. MANUFACTURING I.D. CAN BE EITHER MG, MXF, MXI OR MXCH.

LAST INSPECTION NUMBER: 19

THIS DRAWING CONTAINS INFORMATION THAT IS PROPRIETARY TO MOLEX ELECTRONIC TECHNOLOGIES, LLC AND SHOULD NOT BE USED WITHOUT WRITTEN PERMISSION		CURRENT REV DESC: REMASTERED USING 3D MODELS		<b>molex</b>	
DIMENSION UNITS	SCALE	HIGH PROFILE TOP ENTRY JACK			
mm	5:1	PRODUCT CUSTOMER DRAWING		DOCUMENT NUMBER	
GENERAL TOLERANCES (UNLESS SPECIFIED)		EC NO: 686851		SD-95522-001	
ANGULAR TOL ± 2.0°		DRWN: SANTHN 2021/06/10		DOC TYPE DOC PART REVISION	
4 PLACES ±		CHK'D: KLANG 2022/01/13		PSD 002 G1	
3 PLACES ±		APPR: KLANG 2022/01/13		MATERIAL NUMBER	
2 PLACES ± 0.25		INITIAL REVISION:		CUSTOMER	
1 PLACE ± 0.35		DRWN: KNOLLER 2004/09/01		GENERAL MARKET	
0 PLACES ±		APPR: KNOLLER 2004/09/09		SHEET NUMBER	
DRAFT WHERE APPLICABLE MUST REMAIN WITHIN DIMENSIONS		THIRD ANGLE PROJECTION	DRAWING	SERIES	MATERIAL NUMBER
			A3-SIZE	95522	SEE CHART



**MOUNTING HOLE PATTERNS**  
(SEE FROM COMPONENT SIDE  
ALL DIMENSIONS REF DIMENSIONS)

PART NUMBERS FOR JACK WITH RIBS									
TYPE	PACKAGING	POS. 4	TOOLED	POS. 6	TOOLED	POS. 6	TOOLED	POS. 8	TOOLED
		4 CKTS.		4 CKTS.		6 CKTS.		8 CKTS.	
	TRAY	95522-2447	X	95522-2647	X	95522-2667	X	95522-2887	X
	TUBE					95522-2617 SEE NOTE 8 SH. 1	X		

PART NUMBERS FOR JACK WITHOUT RIBS					
TYPE	PACKAGING	POS. 6	TOOLED	POS. 8	TOOLED
		6 CKTS.		8 CKTS.	
	TRAY	95522-2661	X	95522-2881	
	TUBE	95522-2611	X		

DIM. \ TYPE	POS. 4	POS. 6		POS. 8
	4 CKTS.	4 CKTS.	6 CKTS.	8 CKTS.
A	11.18	13.21	13.21	15.24
B	7.62	10.16	10.16	11.43
(WITH RIBS)	14.00	16.00	16.00	18.00
C				
D	3.81	3.81	6.35	8.89
H	7.82	9.88	9.88	11.94
J	5.64	6.70	6.70	6.30
K	3.07	4.06	4.06	4.06

THIS DRAWING CONTAINS INFORMATION THAT IS PROPRIETARY TO MOLEX ELECTRONIC TECHNOLOGIES, LLC AND SHOULD NOT BE USED WITHOUT WRITTEN PERMISSION										
DIMENSION UNITS <b>mm</b>	SCALE <b>4:1</b>	CURRENT REV DESC: REMASTERED USING 3D MODELS				<b>molex</b>				
GENERAL TOLERANCES (UNLESS SPECIFIED)		EC NO: 686851								
ANGULAR TOL	± 2.0 °	DRWN: SANTHN 2021/06/10				HIGH PROFILE TOP ENTRY JACK				
4 PLACES	±	CHK'D: KLANG 2022/01/13				PRODUCT CUSTOMER DRAWING				
3 PLACES	±	APPR: KLANG 2022/01/13				DOCUMENT NUMBER				
2 PLACES	± 0.25	INITIAL REVISION:				SD-95522-001		DOC TYPE	DOC PART	REVISION
1 PLACE	± 0.35	DRWN: KNOLLER 2004/09/01				PSD		002	G1	
0 PLACES	±	APPR: KNOLLER 2004/09/09				SERIES		SHEET NUMBER		
DRAFT WHERE APPLICABLE MUST REMAIN WITHIN DIMENSIONS		THIRD ANGLE PROJECTION	DRAWING	SERIES	MATERIAL NUMBER	CUSTOMER		SHEET NUMBER		
			A3-SIZE	95522	SEE CHART	GENERAL MARKET		2 OF 2		