

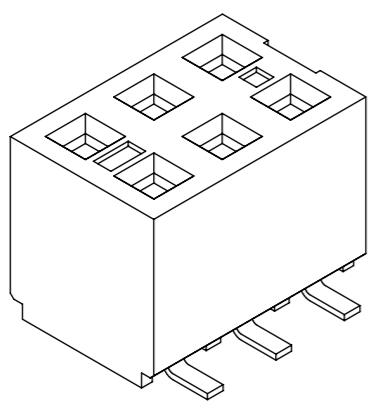
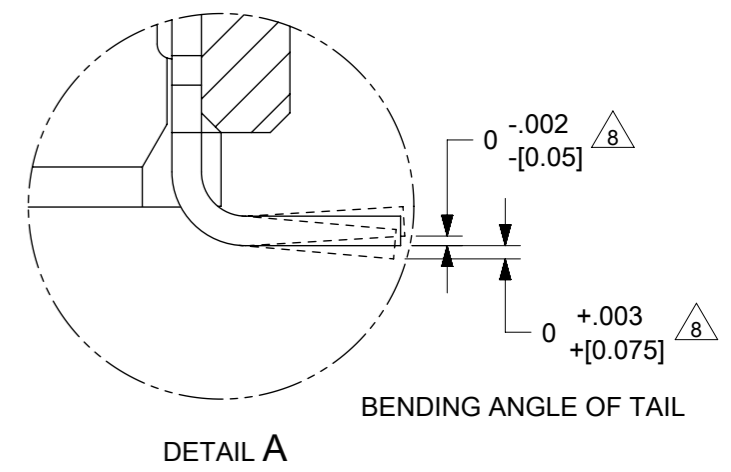
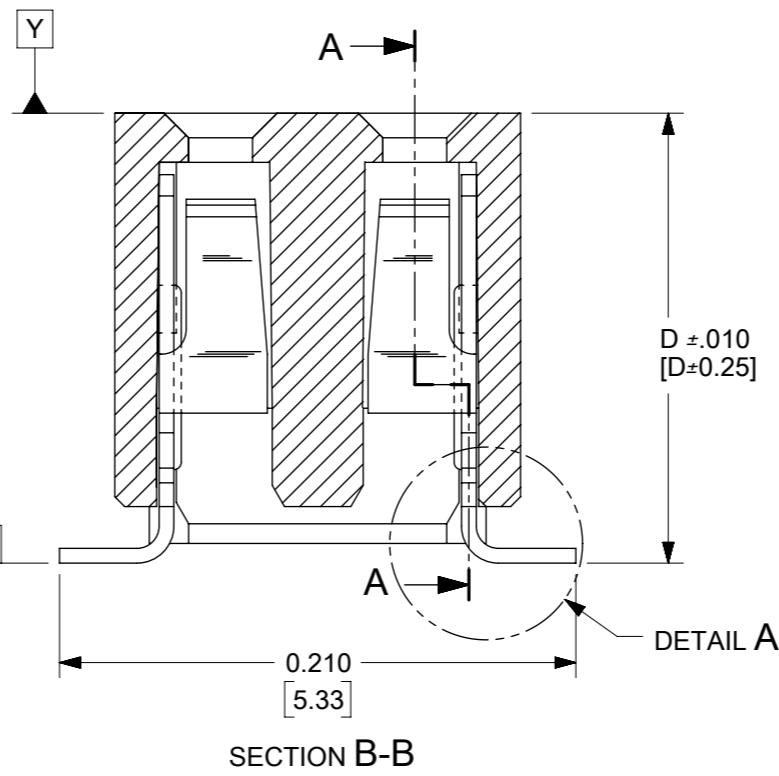
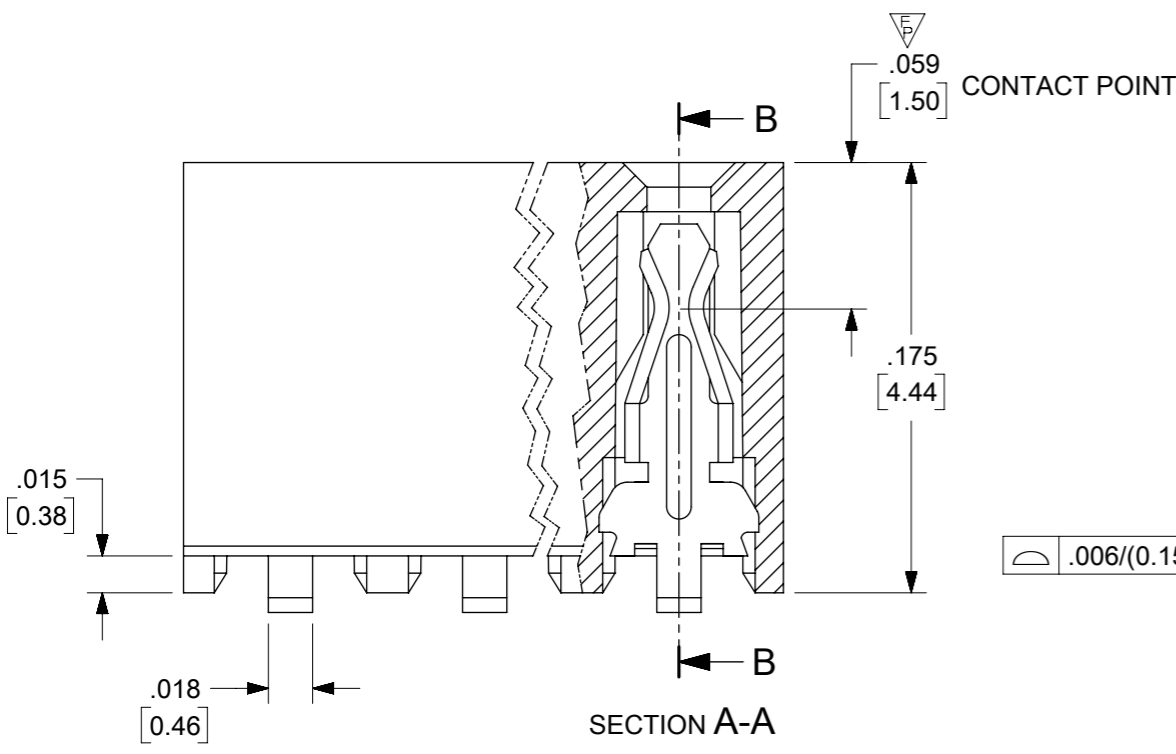
RECOMMENDED PCB PAD LAYOUT

NOTES:

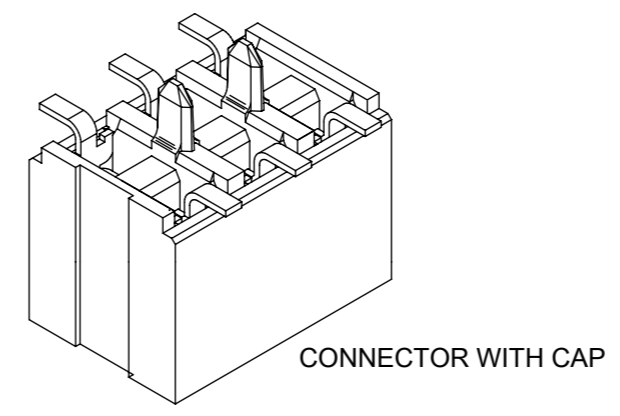
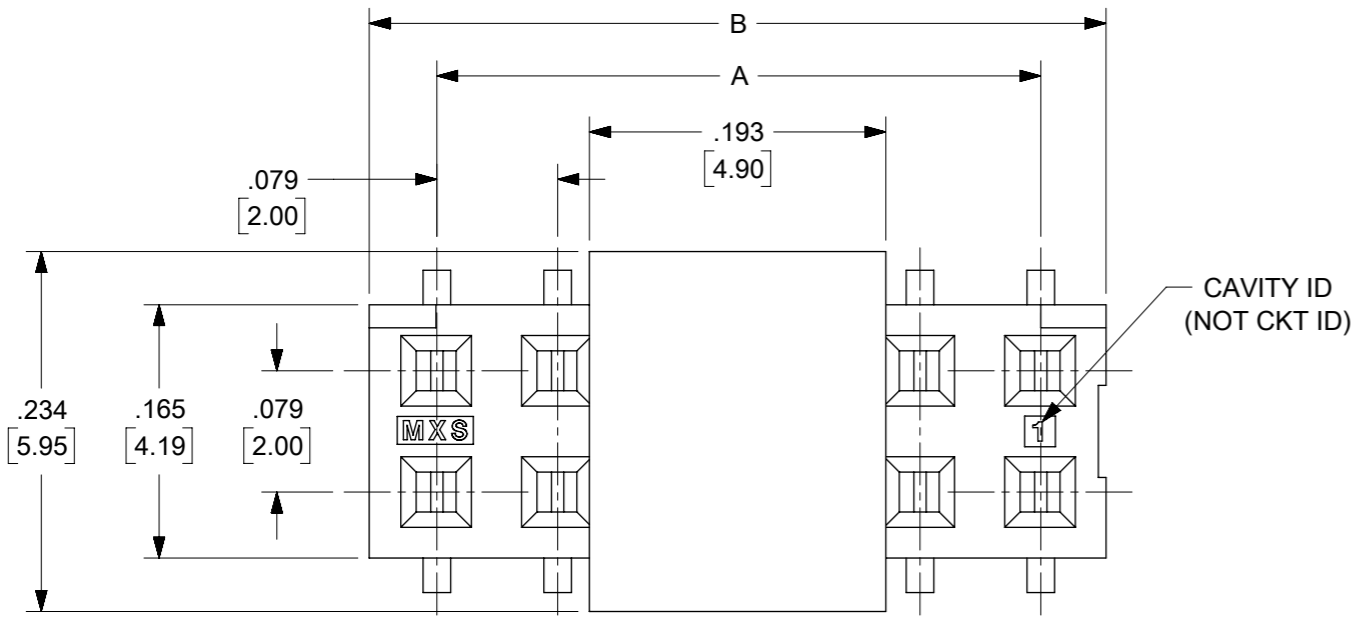
- HOUSING MATERIAL:
LCP, GLASS FILLED, UL 94V-0
COLOUR BLACK.
- TERMINAL MATERIAL:
PHOSPHOR BRONZE
- SEE APPROPRIATE SHEET FOR CIRCUIT SIZE,
PART NUMBERS AND OVERALL DIMENSIONS.
- 6 CKT WITHOUT CAP ASSY IS SHOWN FOR ILLUSTRATION ONLY.
- REFER TO PRODUCT SPEC PS-79107.
- TAPE PACKAGING PER PK-70873-0259
- CKT LOCATIONS ARE NUMBERED FROM LEFT TO
RIGHT WHEN VIEWING ASSY FROM TOP WITH
THE GATE RECESS ON THE RIGHT AS SHOWN.
- MEASUREMENT IS TAKEN BETWEEN THE TANGENT OF
THE TOE TO TIP OF THE TERMINAL.

PLATING OPTION:

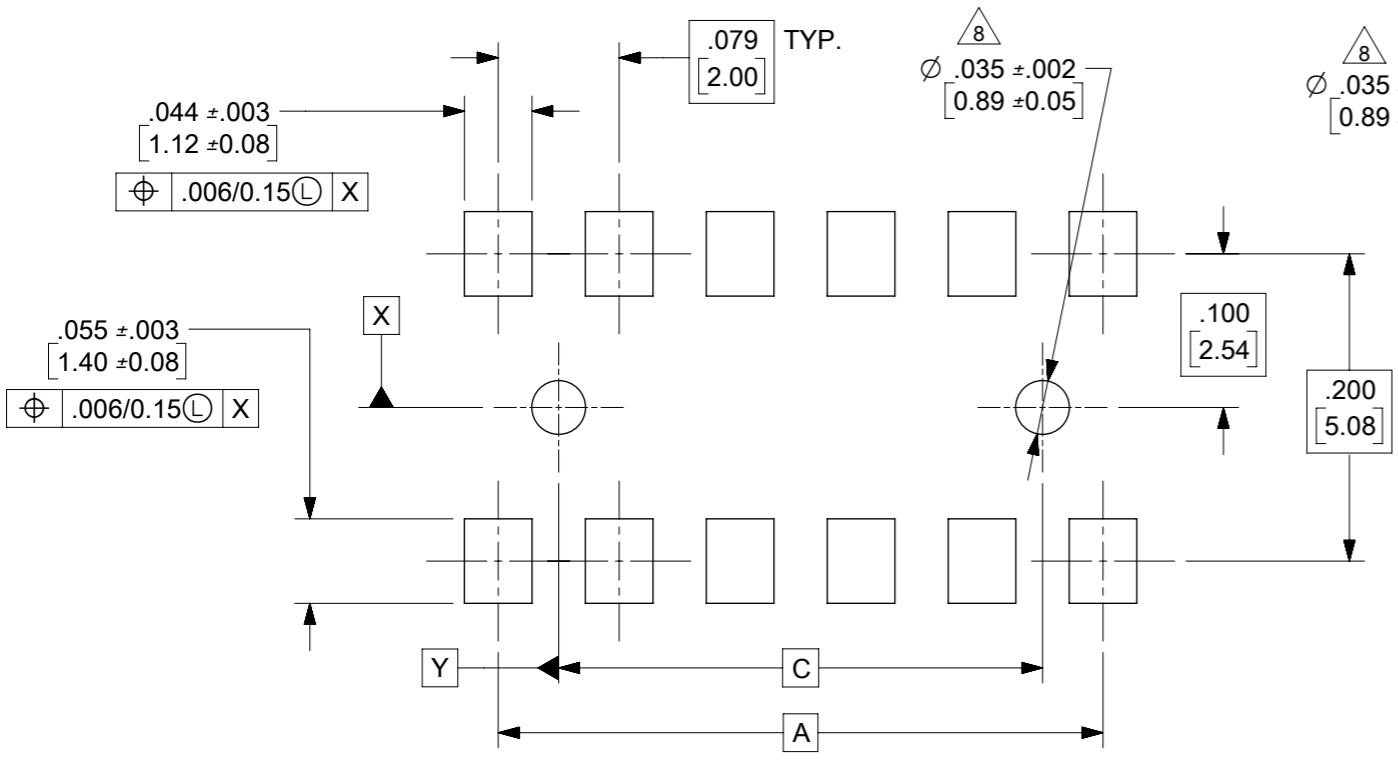
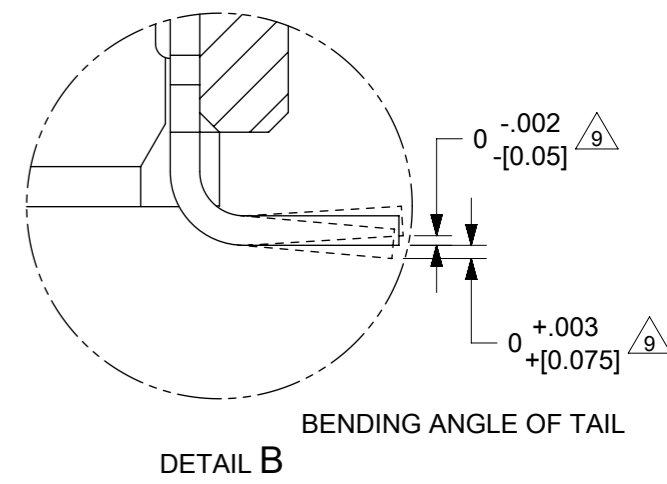
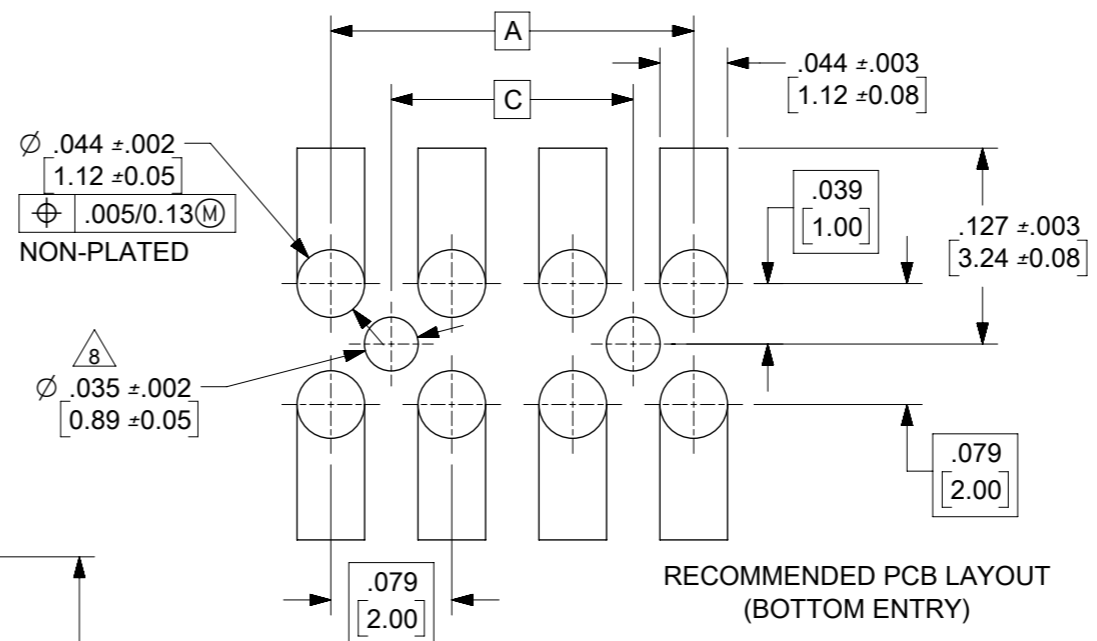
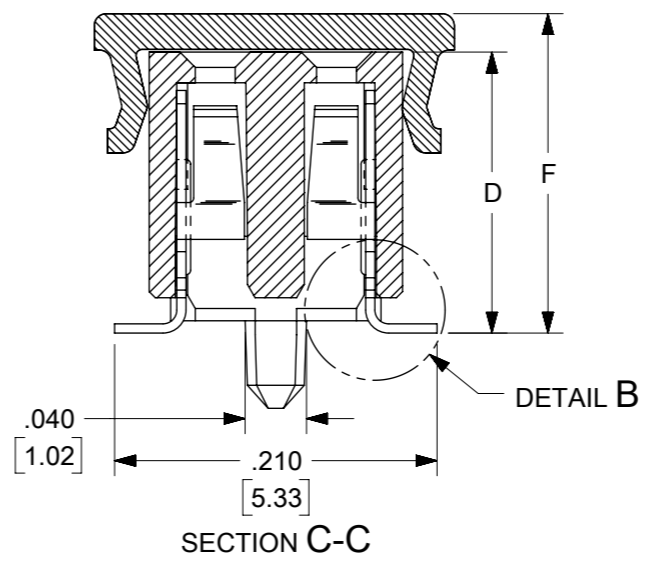
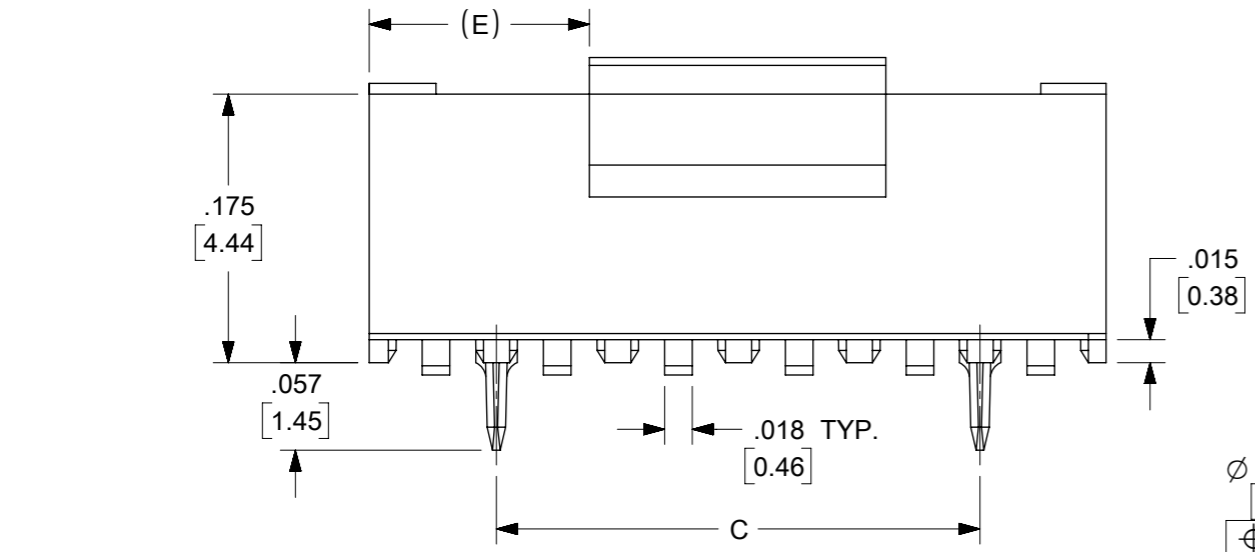
- 30µ" (0.75µm) MIN. GOLD PLATE IN SELECTED AREA AND
75µ" (1.88µm) MIN. TIN PLATE IN SELECTED AREA OVER
50µ" (1.25µm) MIN. NICKEL OVERALL.
- 15µ" (0.38µm) MIN. GOLD PLATE IN SELECTED AREA AND
75µ" (1.88µm) MIN. TIN PLATE IN SELECTED AREA OVER
50µ" (1.25µm) MIN. NICKEL OVERALL.
- 5µ" (0.13µm) MIN. GOLD PLATE IN SELECTED AREA AND
75µ" (1.88µm) MIN. TIN PLATE IN SELECTED AREA OVER
50µ" (1.25µm) MIN. NICKEL OVERALL.



| | | | | | |
|---------|---|------------------------|-----------------------------------|---------|--------------------------|
| SYMBOLS | THIS DRAWING CONTAINS INFORMATION THAT IS PROPRIETARY TO MOLEX ELECTRONIC TECHNOLOGIES, LLC AND SHOULD NOT BE USED WITHOUT WRITTEN PERMISSION | | CURRENT REV DESC: ADDED BTB DIST. | | |
| | DIMENSION UNITS | SCALE | | | |
| ▽ = 0 | mm | NTS | | | PRODUCT CUSTOMER DRAWING |
| ▽ = 0 | GENERAL TOLERANCES (UNLESS SPECIFIED) | | | | DOCUMENT NUMBER |
| ▽ = 0 | | MM | INCH | | SD-79109-006 |
| ▽ = 0 | 4 PLACES ± | | | | DOC TYPE |
| ▽ = 0 | 3 PLACES ± | | | | PSD |
| ▽ = 0 | 2 PLACES ± | 0.25 | 0.015 | | DOC PART |
| ▽ = 0 | 1 PLACE ± | 0.38 | | | 001 |
| ▽ = 0 | 0 PLACES ± | | | | REVISION |
| ▽ = 0 | ANGULAR TOL ± | 3.0° | | | A8 |
| ▽ = 0 | DRAFT WHERE APPLICABLE MUST REMAIN WITHIN DIMENSIONS | THIRD ANGLE PROJECTION | | DRAWING | SHEET NUMBER |
| ▽ = 0 | | A3-SIZE | | 79109 | 1 OF 5 |



- NOTES:
- HOUSING MATERIAL : GLASS FILLED HIGH TEMP. THERMOPLASTIC. COLOR: BLACK.
 - TERMINAL MATERIAL: PHOSPHOR BRONZE
 - SEE APPROPRIATE SHEET FOR CIRCUIT SIZE, PART NUMBERS AND OVER-ALL DIMENSIONS.
 - FOR ILLUSTRATION, 6 & 12 CIRCUIT ASSEMBLY SHOWN.
 - REFER TO PRODUCT SPECIFICATION PS-79107.
 - TAPE PACKAGING PER PK-70873-0259.
 - SEE PSX-79107 FOR SUGGESTED BOTTOM ENTRY PIN LENGTHS.
 - .035 DIA. FOR PRESS FIT ONLY. USE .039±0.002 FOR ALIGNMENT PURPOSES ON PICK AND PLACE.
- △ MEASUREMENT IS TAKEN BETWEEN THE TANGENT OF THE TOE TO TIP OF THE TERMINAL.



| | | | | | | | | | | | | | | | | | | | | | | | | | | | | | | | | | | | |
|---|----------|-----------------|----------|--|--|-----------------------------------|--|------------------------|--|--------------|--|---------------------------------------|--|--------------------------|--|-----------------|----------|----------|----------|--------------|-----|-----|----|-----------------|--|----------|--|--------------|--|-------|--|----------------|--|--------|--|
| THIS DRAWING CONTAINS INFORMATION THAT IS PROPRIETARY TO MOLEX ELECTRONIC TECHNOLOGIES, LLC AND SHOULD NOT BE USED WITHOUT WRITTEN PERMISSION | | | | | | | | | | | | | | | | | | | | | | | | | | | | | | | | | | | |
| SYMBOLS | | DIMENSION UNITS | | SCALE | | CURRENT REV DESC: ADDED BTB DIST. | | | | | | | | | | | | | | | | | | | | | | | | | | | | | |
| ▽ = 0 | mm | NTS | | <table border="1"> <tr> <td colspan="2">molex</td> </tr> <tr> <td colspan="2">2MM DUAL ROW VERTICAL RECEPTACLE, SMT</td> </tr> <tr> <td colspan="2">PRODUCT CUSTOMER DRAWING</td> </tr> <tr> <td>DOCUMENT NUMBER</td> <td>DOC TYPE</td> <td>DOC PART</td> <td>REVISION</td> </tr> <tr> <td>SD-79109-006</td> <td>PSD</td> <td>001</td> <td>A8</td> </tr> <tr> <td colspan="2">MATERIAL NUMBER</td> <td colspan="2">CUSTOMER</td> <td colspan="2">SHEET NUMBER</td> </tr> <tr> <td colspan="2">79109</td> <td colspan="2">GENERAL MARKET</td> <td colspan="2">3 OF 5</td> </tr> </table> | | | | | | molex | | 2MM DUAL ROW VERTICAL RECEPTACLE, SMT | | PRODUCT CUSTOMER DRAWING | | DOCUMENT NUMBER | DOC TYPE | DOC PART | REVISION | SD-79109-006 | PSD | 001 | A8 | MATERIAL NUMBER | | CUSTOMER | | SHEET NUMBER | | 79109 | | GENERAL MARKET | | 3 OF 5 | |
| molex | | | | | | | | | | | | | | | | | | | | | | | | | | | | | | | | | | | |
| 2MM DUAL ROW VERTICAL RECEPTACLE, SMT | | | | | | | | | | | | | | | | | | | | | | | | | | | | | | | | | | | |
| PRODUCT CUSTOMER DRAWING | | | | | | | | | | | | | | | | | | | | | | | | | | | | | | | | | | | |
| DOCUMENT NUMBER | DOC TYPE | DOC PART | REVISION | | | | | | | | | | | | | | | | | | | | | | | | | | | | | | | | |
| SD-79109-006 | PSD | 001 | A8 | | | | | | | | | | | | | | | | | | | | | | | | | | | | | | | | |
| MATERIAL NUMBER | | CUSTOMER | | SHEET NUMBER | | | | | | | | | | | | | | | | | | | | | | | | | | | | | | | |
| 79109 | | GENERAL MARKET | | 3 OF 5 | | | | | | | | | | | | | | | | | | | | | | | | | | | | | | | |
| GENERAL TOLERANCES (UNLESS SPECIFIED) | | | | EC NO: 620311 | | DRWN: NMANE02 | | 2019/07/09 | | | | | | | | | | | | | | | | | | | | | | | | | | | |
| ▽ = 0 | 4 PLACES | ± | | CHK'D: NMANE02 | | 2019/07/09 | | APPR: MRAMAKRISHNA | | | | | | | | | | | | | | | | | | | | | | | | | | | |
| ▽ = 0 | 3 PLACES | ± | 0.01 | APPR: MRAMAKRISHNA | | 2019/07/15 | | INITIAL REVISION: | | | | | | | | | | | | | | | | | | | | | | | | | | | |
| ▽ = 0 | 2 PLACES | ± | 0.25 | DRWN: DRWN BY | | XXXX/XX/XX | | APPR: APPR BY | | | | | | | | | | | | | | | | | | | | | | | | | | | |
| ▽ = 0 | 1 PLACE | ± | 0.38 | ANGULAR TOL | | ± 3.0° | | THIRD ANGLE PROJECTION | | | | | | | | | | | | | | | | | | | | | | | | | | | |
| ▽ = 0 | 0 PLACES | ± | | DRAFT WHERE APPLICABLE | | MUST REMAIN WITHIN DIMENSIONS | | DRAWING | | | | | | | | | | | | | | | | | | | | | | | | | | | |
| ▽ = 0 | | ± | | A3-SIZE | | 79109 | | | | | | | | | | | | | | | | | | | | | | | | | | | | | |

