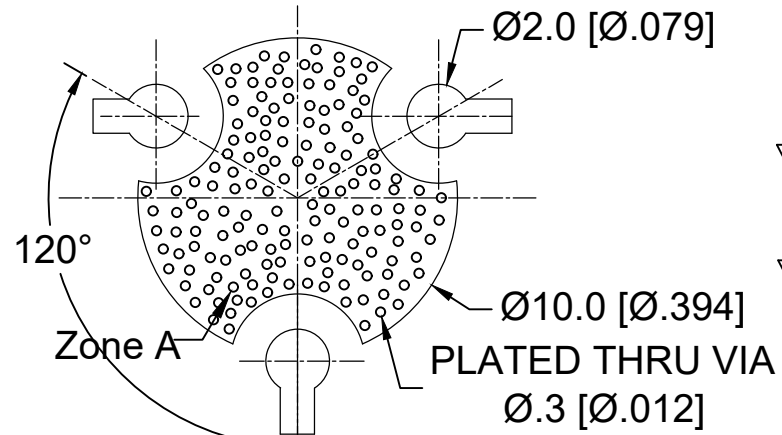
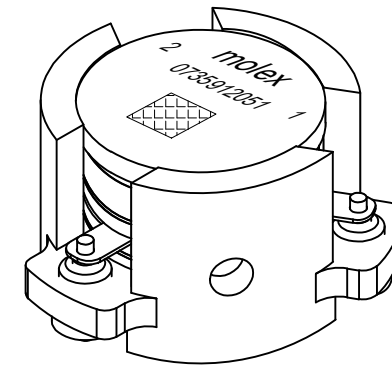
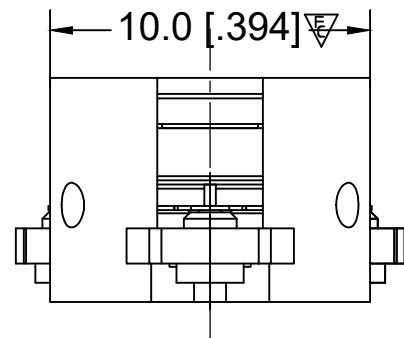
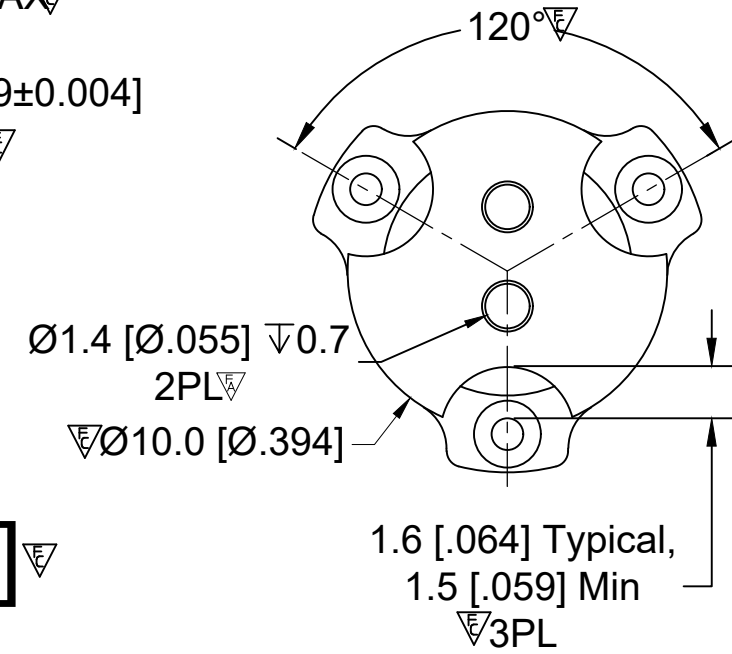
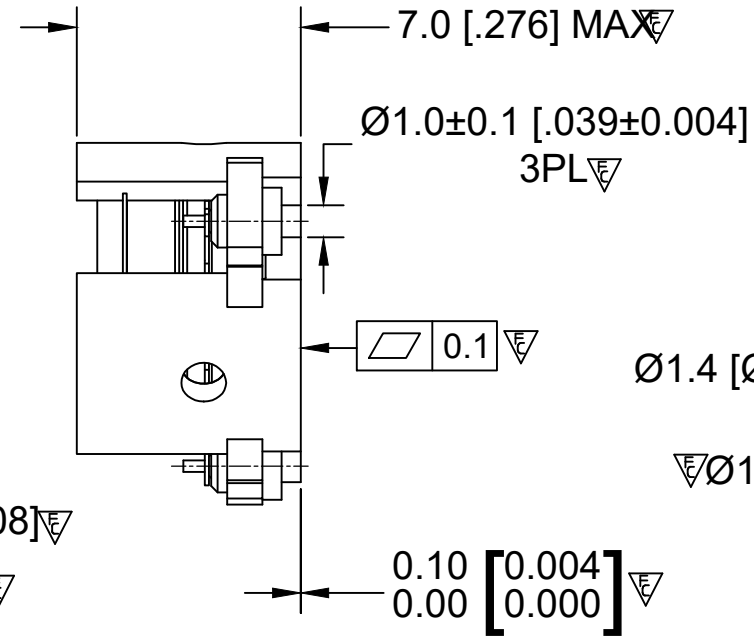
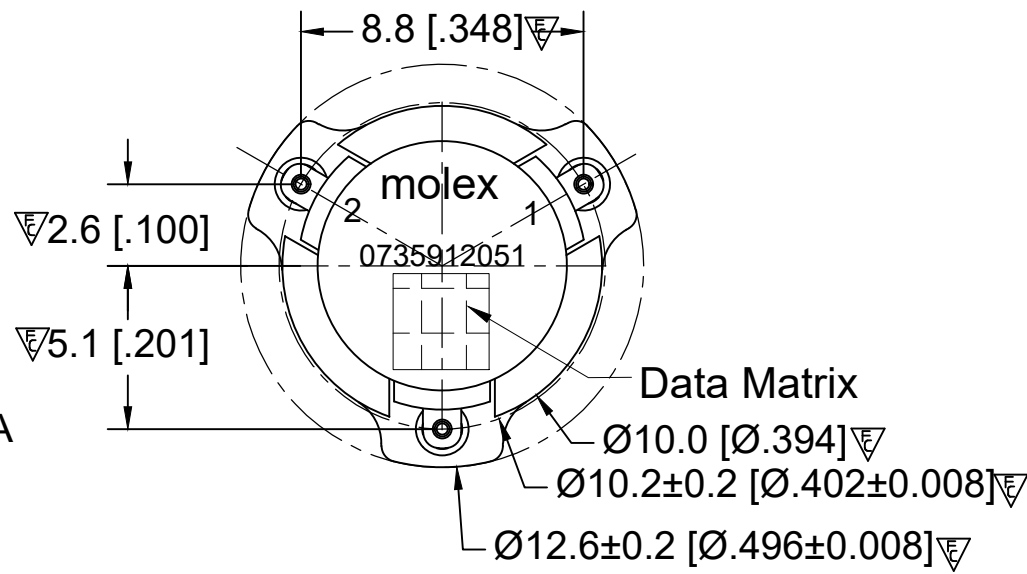


RECOMMENDED LAND PATTERN :

Zone A must be attached to heat sink. Thermal conductivity of intermediate layers between Zone A and heat sink must be better than 0.1 W / [°C x mm].



PCB Material :Rogers RO4350B,0.508mm thickness
trace width 1.07mm wide.



BODY: CARBON STEEL, SILVER PLATED

RIGID PINS: COPPER, SILVER PLATED

NOTES:

- 1.STANDARD INPUT/OUTPUT IMPEDANCE 50 Ohm
- 2.LEAD FREE, NO Nd MATERIAL, BeO FREE
- 3.THE DIMENSION OF DATE MATRIX IS 3X3MM INFORMATION INCLUDING WORK ORDER NUMBER-SERIAL NUMBER-MATERIAL NUMBER
- 4.THIS PART COMPLIES WITH ALL RoHS REQUIREMENTS

ELECTRICAL SPECIFICATIONS :

- Frequency Range : 2300~2400 MHz
 Insertion Loss : 0.25 dB@25°C ,0.30dB Max
 Isolation : 20 dB Min
 Return Loss : 22.12 dB min(VSWR: 1:1.17)
 Average Power : 20 W (CW)
 Peak Power : 160 W
 2nd Harmonic : 10 dB min
 3rd Harmonic : 5 dB min
 FMD(2x5 W,1MHz space): -60 dBc Max
 Operating Temperature : -40°C to +110°C
 +110°C to +130°C : power capacity and reliability no change ,
 Insertion loss reduce 20%, other spec.reduce 10%,
 No reliability risk for long period work.
 Storage Temperature : -55°C to +150°C
 Direction : CCW

ENG PART#:812-230-240-VP040

THIS DRAWING CONTAINS INFORMATION THAT IS PROPRIETARY TO MOLEX ELECTRONIC TECHNOLOGIES, LLC AND SHOULD NOT BE USED WITHOUT WRITTEN PERMISSION									
FUNCTIONAL SYMBOLS	DIMENSION UNITS	SCALE	CURRENT REV DESC:						
$\nabla_A=0$	MM	1:1	RELEASE TO PROD						
$\nabla_P=0$	GENERAL TOLERANCES (UNLESS SPECIFIED)		EC NO: 696580						
$\nabla_P=0$	mm INCH		DRWN: SREN05 2022/02/21						
DIVISIONAL SYMBOLS	4 PLACES	±0.005 ±----	CHK'D: JLI252 2022/02/23						
	3 PLACES	±0.025 ±----	APPR: HWANG186 2022/03/01						
	2 PLACES	±0.13 ±----	INITIAL REVISION:						
	1 PLACE	±0.2 ±----	DRWN: SREN05 2021/11/15						
	0 PLACES	±0.4 ±----	APPR: HWANG186 2022/03/01						
	ANGULAR TOL ± 1.5 °		DOCUMENT NUMBER						
	DRAFT WHERE APPLICABLE MUST REMAIN WITHIN DIMENSIONS		THIRD ANGLE PROJECTION		DRAWING	SERIES	MATERIAL NUMBER	CUSTOMER	SHEET NUMBER
			A3-SIZE		73591	0735912051	CUSTOM PART	1 OF 1	

molex

SMSJ CIRCULATOR/2300~2400MHZ/CCW

RESTRICTED PRODUCT CUSTOMER DRAWING

735912051 PSD 000 A