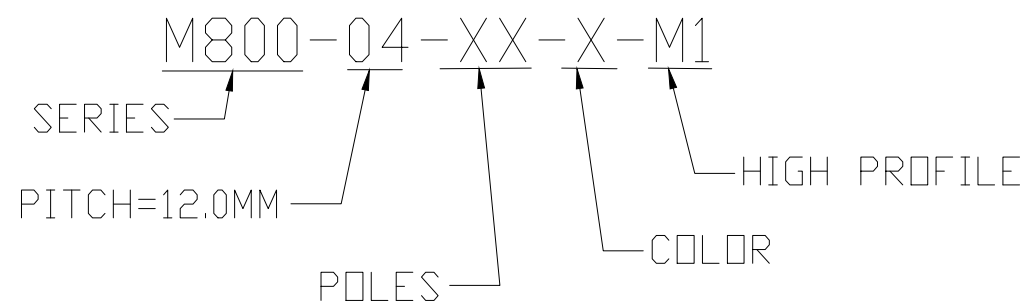


PART NUMBER DATA										
CIRCUITS	PART NUMBER	ENGINEERING NUMBER	COLOR	PART NUMBER	ENGINEERING NUMBER	COLOR	A IN mm	B IN mm		
2	391002502	M800-04-02-5-M1	WHITE		M800-04-02-1-M1	BLACK	.98	25.0	.591	15.00
3	391002503	M800-04-03-5-M1	WHITE	391006503	M800-04-03-1-M1	BLACK	1.57	40.0	1.181	30.00
4	391002504	M800-04-04-5-M1	WHITE		M800-04-04-1-M1	BLACK	2.17	55.0	1.772	45.00
5	391002505	M800-04-05-5-M1	WHITE		M800-04-05-1-M1	BLACK	2.76	70.0	2.362	60.00
6	391002506	M800-04-06-5-M1	WHITE		M800-04-06-1-M1	BLACK	3.35	85.0	2.953	75.00
7	391002507	M800-04-07-5-M1	WHITE		M800-04-07-1-M1	BLACK	3.94	100.0	3.543	90.00
8	391002508	M800-04-08-5-M1	WHITE		M800-04-08-1-M1	BLACK	4.53	115.0	4.134	105.00
9	391002509	M800-04-09-5-M1	WHITE		M800-04-09-1-M1	BLACK	5.12	130.0	4.724	120.00
10	391002510	M800-04-10-5-M1	WHITE		M800-04-10-1-M1	BLACK	5.71	145.0	5.315	135.00
11	391002511	M800-04-11-5-M1	WHITE		M800-04-11-1-M1	BLACK	6.30	160.0	5.906	150.00
12	391002512	M800-04-12-5-M1	WHITE		M800-04-12-1-M1	BLACK	6.89	175.0	6.496	165.00

REF. LAST 2 DIGITS OF PART NUMBER EQUAL CIRCUIT COUNT

NOTE: IF THIS PRODUCT IS STORED IN AN ENVIRONMENT WITH A RELATIVE HUMIDITY OF LESS THAN 50%, MOISTURE MUST BE ADDED. REFER TO TECHNICAL ADVISORY AS 45499-001 FOR INSTRUCTIONS.

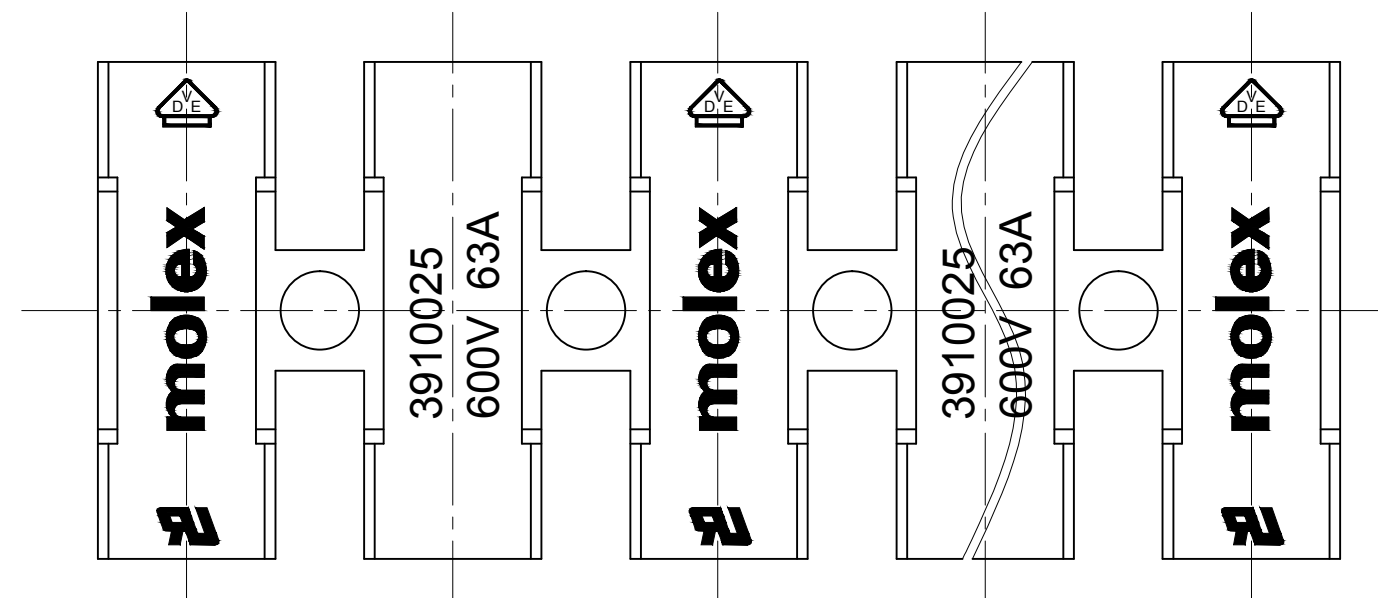
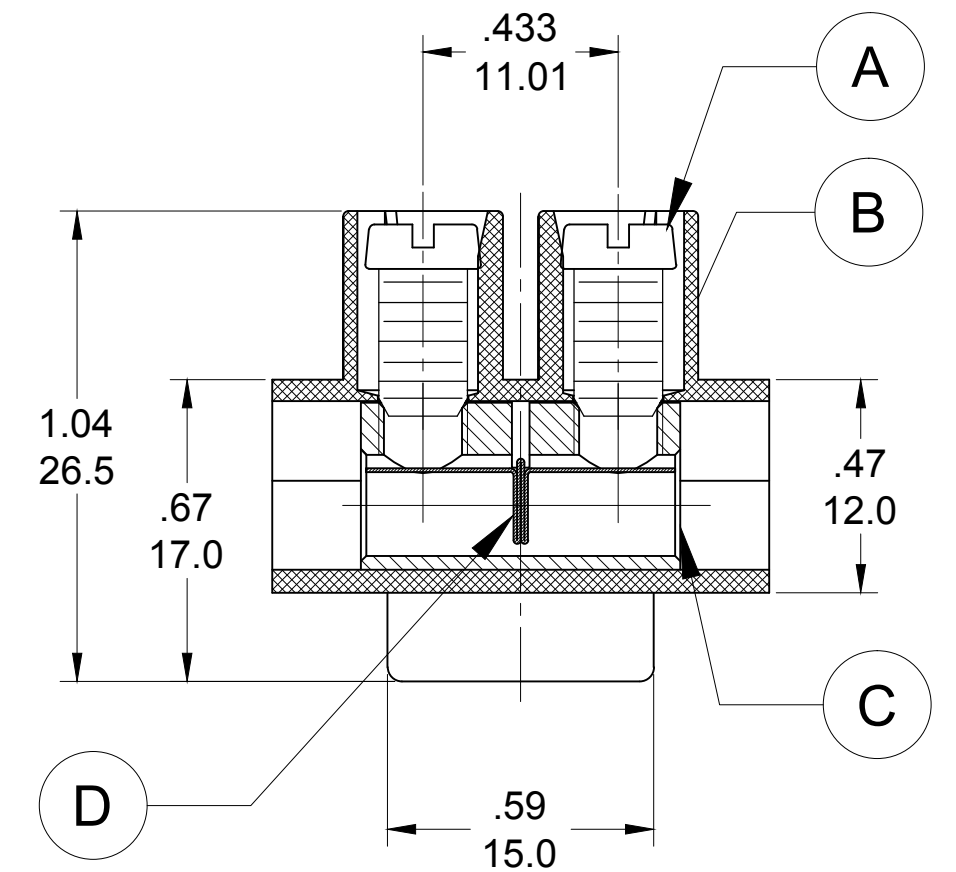
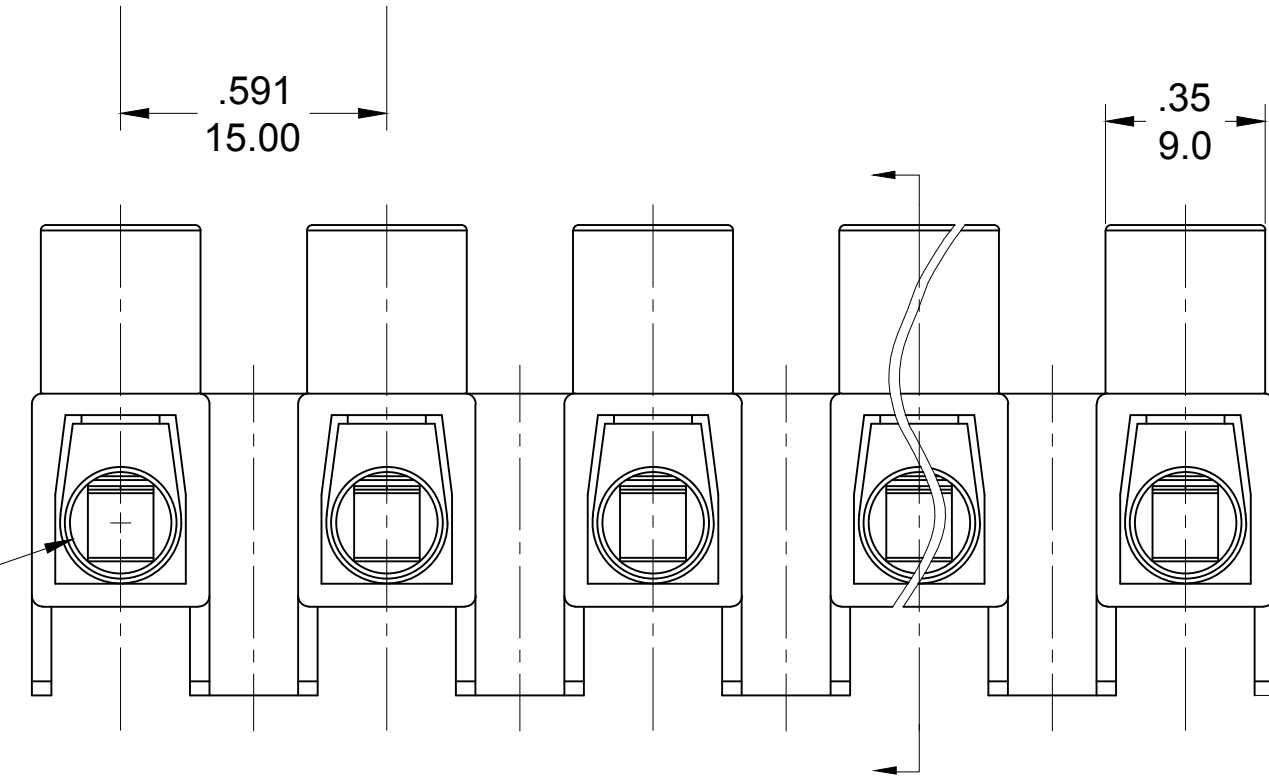
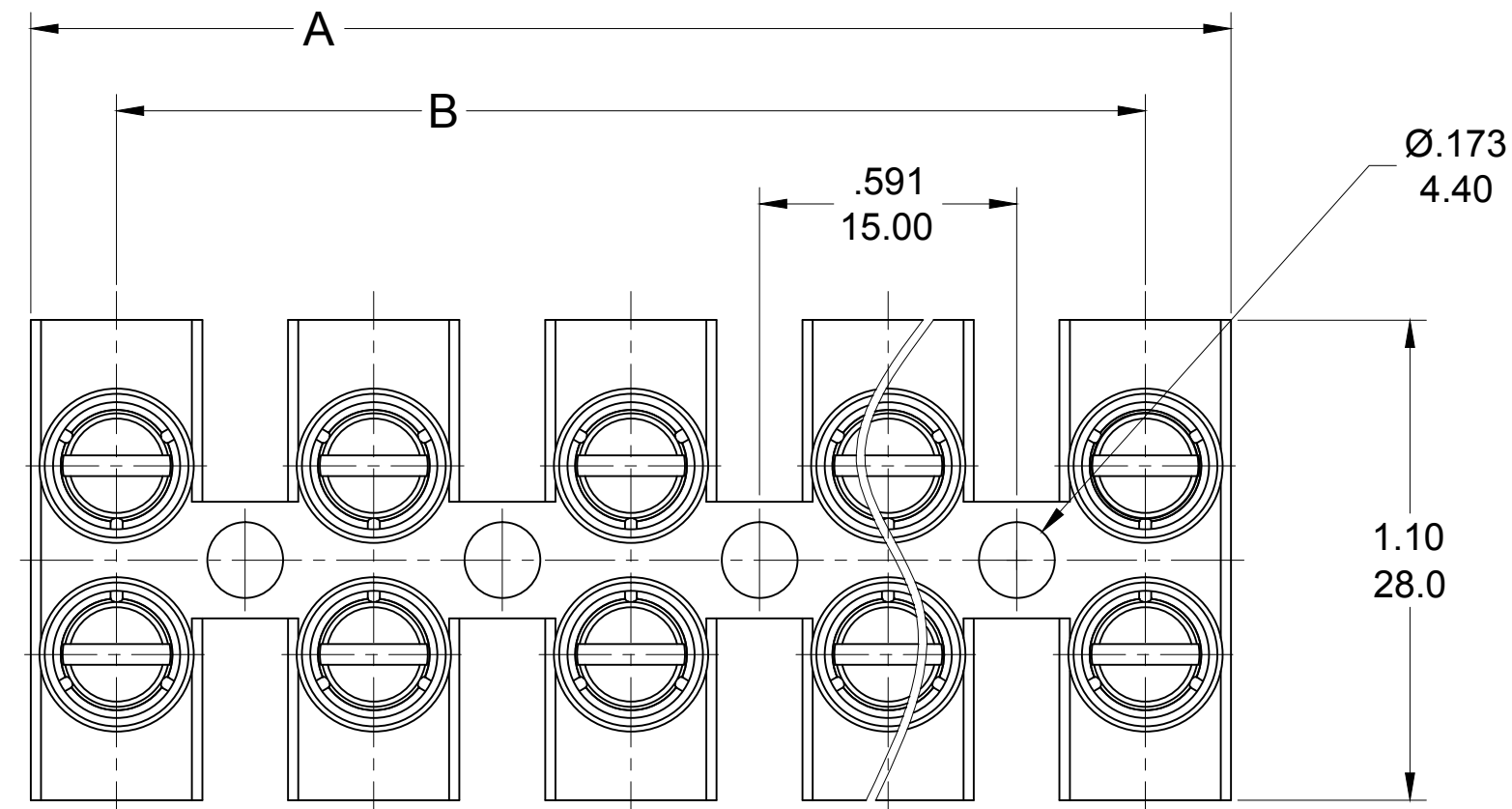
ENGINEERING NUMBER LEGEND



CONTACT FACTORY FOR OPTIONAL COLORS

SPECIFICATIONS:

- Material:
 - (A) Screw: Steel, Zinc plated
 - (B) Body: PA66 UL94 V-0
 - (C) Cage: Brass, Nickel plated
 - (D) Terminal: Stainless Steel
- Rating: 600V, 63amps
- Wire range: 14-6 AWG
- Max torque: 20.0 in lbs.
- Dielectric voltage withstand: DC 3000V for 1 minute.
- Insulation resistance: DC 1000V, 100GΩ
- Rated Impulse Voltage: 6000V, Plus and Minus 5 times each
- Strip Length: .31 in. (8.0mm)
- Operating Temperature: -40° C to +105° C
- Contact Resistance: < 3 mΩ
- All dims. shown are for reference only



TOLERANCES			
MM	TOL	INCH	TOL
0-6	±0.25	0-.24	±.010
>6-30	±0.40	.24-1.18	±.016
>30-120	±0.50	1.18-4.76	±.020
>120	±0.80	>4.76	±.031

RPM T201844956 EC NO: ICG2017-0881 DRWN: ABENJAMI 2018/03/16 CHKD: --- APPR: BRUPERT 2014/07/21	QUALITY SYMBOL ▽=0 ▽C=0	GENERAL TOLERANCES (UNLESS SPECIFIED) <table border="1"> <tr> <td></td> <td>mm</td> <td>INCH</td> </tr> <tr> <td>4 PLACES</td> <td>±---</td> <td>±---</td> </tr> <tr> <td>3 PLACES</td> <td>±---</td> <td>±---</td> </tr> <tr> <td>2 PLACES</td> <td>±---</td> <td>±---</td> </tr> <tr> <td>1 PLACE</td> <td>±---</td> <td>±---</td> </tr> </table>		mm	INCH	4 PLACES	±---	±---	3 PLACES	±---	±---	2 PLACES	±---	±---	1 PLACE	±---	±---	DIMENSION STYLE IN/MM	SCALE ---	DESIGN UNITS METRIC	THIRD ANGLE PROJECTION
		mm	INCH																		
	4 PLACES	±---	±---																		
	3 PLACES	±---	±---																		
2 PLACES	±---	±---																			
1 PLACE	±---	±---																			
		DRAWN BY: RSTONE DATE: 2014/07/11	CHECKED BY: G FARNSW DATE: ---	TITLE: TERMINAL STRIP 15MM HIGH PROFILE 600V																	
		APPROVED BY: JFMURPHY DATE: 2014/07/21	MATERIAL NO.: SEE CHART	MOLEX INCORPORATED	SHEET NO.: 1 OF 1																
		DRAFT WHERE APPLICABLE MUST REMAIN WITHIN DIMENSIONS	SIZE C	THIS DRAWING CONTAINS INFORMATION THAT IS PROPRIETARY TO MOLEX INCORPORATED AND SHOULD NOT BE USED WITHOUT WRITTEN PERMISSION																	