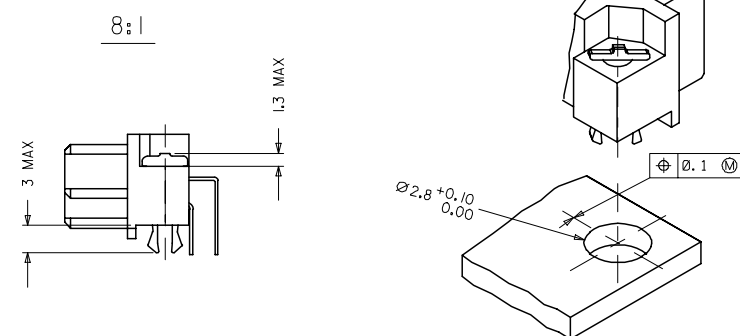
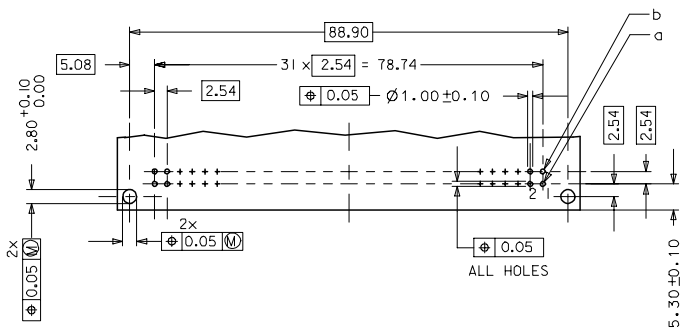


WITH MOUNTING CLIPS



- NOTES:
- MATERIALS: THERMOPLASTIC POLYESTER, GLASS FILLED, UL94V-0. COLOUR: PEBBLE GREY RAL 7032
TERMINAL - PHOSPHOR BRONZE
MOUNTING CLIP: STEEL
 - FINISH: TERMINAL:-
CONTACT AREA
1. PERFORMANCE LEVEL 1: SELECTIVE GOLD (Au), THICKNESS = 1.1 MICROMETER OVER NICKEL, THICKNESS = 1.25 MICROMETER
2. PERFORMANCE LEVEL 2: SELECTIVE GOLD (Au), THICKNESS = 0.6 MICROMETER OVER NICKEL, THICKNESS = 1.25 MICROMETER
3. PERFORMANCE LEVEL 3: SELECTIVE GOLD (Au), THICKNESS = 0.3 MICROMETER OVER NICKEL, THICKNESS = 1.25 MICROMETER
TERMINATION AREA:
SELECTIVE TIN, THICKNESS = 2.5 MICROMETER OVER NICKEL, THICKNESS = 1.25 MICROMETER OVERALL
 - MOUNTING CLIP:-
TIN (Sn), THICKNESS = 5-10 MICROMETER, OVER NICKEL (Ni), THICKNESS = 2.5 MICROMETER
 - FOR NON MOUNTING CLIP OPTION, CONNECTOR TO BE SECURED WITH RIVETS: 2 TUBULAR RIVETS 2.5×0.3 ... DIN 7340
SCREWS: 2 CHEESEHEAD SCREWS $M2.5 \times \dots$ DIN 84 AND 2 HEXAGONAL NUTS $M2.5$ DIN 934
 - MATERIAL NUMBER, BATCH CODE, UL AND CSA MARKING TO BE PRINTED ON THE CONNECTOR
 - CUT FACE OF TIP WITHOUT PLATING PERMITTED
 - PRODUCT SPECIFICATION : PS-36509-001

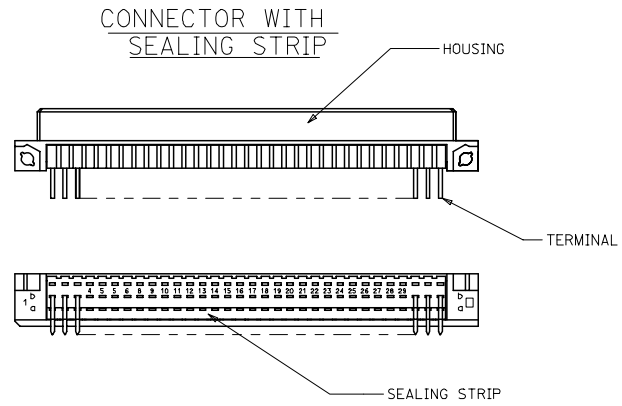
RECOMMENDED PCB LAYOUT
COMPONENT SIDE



RoHS COMPLIANT

EC No: P007-0044 DRAWN BY: DRWNGATTI/MARAD 2006/10/10 CHECKED BY: CHKGDSSDHR 2006/10/11 APPROVED BY: APPR3SSDHR 2006/10/16	QUALITY SYMBOLS ▽=0 ▽=0	GENERAL TOLERANCES (UNLESS SPECIFIED)		DIMENSION STYLE MM ONLY	SCALE 2:1	DESIGN UNITS METRIC	THIRD ANGLE PROJECTION
		4 PLACES ± --- ± --- 3 PLACES ± 0.05 ± --- 2 PLACES ± 0.1 ± --- 1 PLACE ± 0.15 ± ---	INCH ± --- ± --- ± ---	DRAWN BY SS 2000/11/17	DATE 2000/11/17	TITLE ASSEMBLY, DIN 41612 R FEMALE, 64 POS A+D LOADED	MATERIAL NO. SEE CHART
DRAFT WHERE APPLICABLE MUST REMAIN WITHIN DIMENSIONS		THIS DRAWING CONTAINS INFORMATION THAT IS PROPRIETARY TO MOLEX INCORPORATED AND SHOULD NOT BE USED WITHOUT WRITTEN PERMISSION					

MATERIAL No	MOLEX ENG No	PERF LEVEL	PLATING	CONTACT SEQUENCE/ROW	MOUNTING CLIP	SEALING STRIP
36509-0073	MM-B2400-R962	1	Au+Ni	1,2,3,...32 a+b	NO	NO
36509-0074	MM-B2500-R962	2	Au+Ni	1,2,3,...32 a+b	NO	NO
36509-0075	MM-B2600-R962	3	Au+Ni	1,2,3,...32 a+b	NO	NO
36509-0079	MM-B2400-R9 I2	1	Au+Ni	1,2,3,...32 a+b	YES	NO
36509-0080	MM-B2500-R9 I2	2	Au+Ni	1,2,3,...32 a+b	YES	NO
36509-0081	MM-B2600-R9 I2	3	Au+Ni	1,2,3,...32 a+b	YES	NO
36509-0085	MM-B2400-R962-101	1	Au+Ni	1,2,3,...32 a+b	NO	YES
36509-0086	MM-B2500-R962-101	2	Au+Ni	1,2,3,...32 a+b	NO	YES
36509-0087	MM-B2600-R962-101	3	Au+Ni	1,2,3,...32 a+b	NO	YES
36509-0091	MM-B2400-R9 I2-101	1	Au+Ni	1,2,3,...32 a+b	YES	YES
36509-0092	MM-B2500-R9 I2-101	2	Au+Ni	1,2,3,...32 a+b	YES	YES
36509-0093	MM-B2600-R9 I2-101	3	Au+Ni	1,2,3,...32 a+b	YES	YES



RoHS COMPLIANT

EC No: 2007/0044 DRAWN BY: DRINGSATTI/MARAD 2006/10/10 CHECKED BY: CHIKKOSUDHAR 2006/10/11 APPROVED BY: APPR/SSUDHAR 2006/10/16	QUALITY SYMBOLS ▽=0 ▽=0	GENERAL TOLERANCES (UNLESS SPECIFIED)		DIMENSION STYLE MM ONLY	SCALE 2:1	DESIGN UNITS METRIC	THIRD ANGLE PROJECTION
		4 PLACES ± 0.15 3 PLACES ± 0.05 2 PLACES ± 0.1 1 PLACE ± 0.15	INCH ± 0.005 ± 0.01 ± 0.015	DRAWN BY SS 2000/11/17	DATE 2000/11/17	TITLE ASSEMBLY, DIN 41612 R FEMALE, 64 POS A+B LOADED	MOLEX INCORPORATED
DRAFT WHERE APPLICABLE MUST REMAIN WITHIN DIMENSIONS	SEE CHART	MATERIAL NO. SD-36509-004	DOCUMENT NO.	THIS DRAWING CONTAINS INFORMATION THAT IS PROPRIETARY TO MOLEX INCORPORATED AND SHOULD NOT BE USED WITHOUT WRITTEN PERMISSION			