

NEWNEX PROPRIETARY

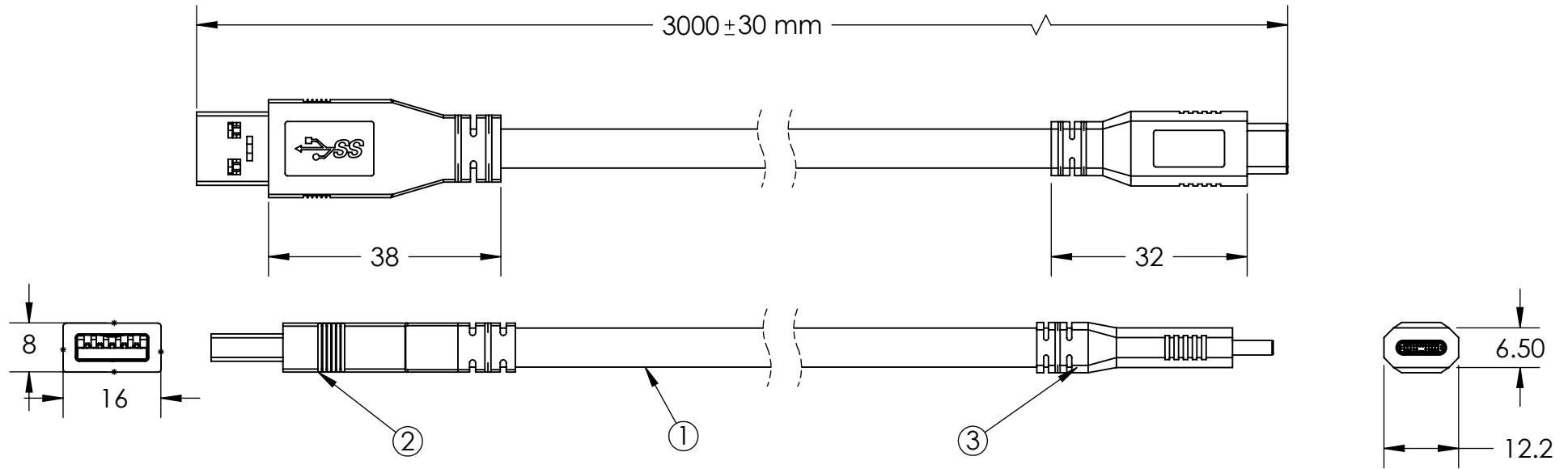
THIS DOCUMENT AND THE DATA DISCLOSED HEREIN OR WITHIN IS NOT TO BE REPRODUCED, USED, OR DISCLOSED IN WHOLE OR PART TO ANYONE WITHOUT THE WRITTEN PERMISSION OF NEWNEX

COMPANY NAME

CUSTOMER SIGNATURE

DATE

COMMENTS:



Wiring Structure			
USB 3.0 A Plug	Wire		USB Typ-C Plug
	SIGNAL	COLOR	
1	Vcc	Red	A4,B4,A9,B9
	CC		A5
2	UTP-Dn	White	A7
3	UTP-Dp	Green	A6
4+7	GND	Black+D	A1,B1,A12,B12
5	SDPn1	Blue	A3
6	SDPp1	Yellow	A2
8	SDPn2	Purple	B10
9	SDPp2	Orange	B11
SHELL	Outer Braid		SHELL

Rp=56K

Notes:

1. Cable: USB 3.1 Black PVC Jacket
2. Connector: USB 3.1 A Male
3. Connector: USB 3.1 Type-C Male with 56K Rp
4. Packaging: 1 Piece + PE bag.

Newnex Technology Corp.

UNLESS OTHERWISE SPECIFIED DIMENSIONS ARE IN MILLIMETERS TOLERANCES ARE:			TITLE:	
FRACTIONS: XX ± 0.5	DECIMALS: XX ± 0.25	SCALE: 1:1	REV: A	USB 3.1 Gen 1 A Male to C Male, 3M, Black
• NA	XX ± 0.125	DATE: 2/23/2018	DRAWN BY: XW	APPROVED BY: ZL
PART NUMBER: U3S1A01C11-030		CHECKED BY:		SHEET 1 OF 1
REVISION COMMENTS: Drawing generated				