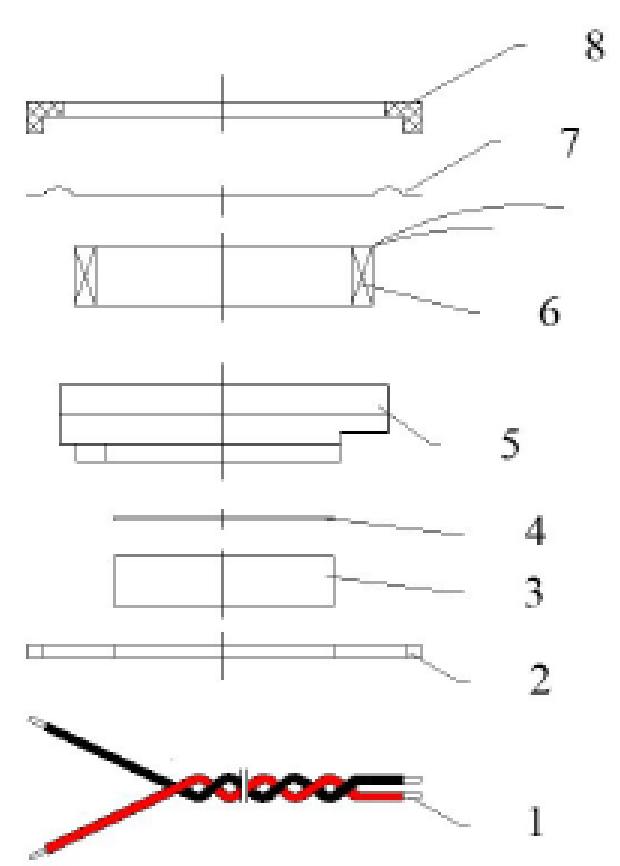
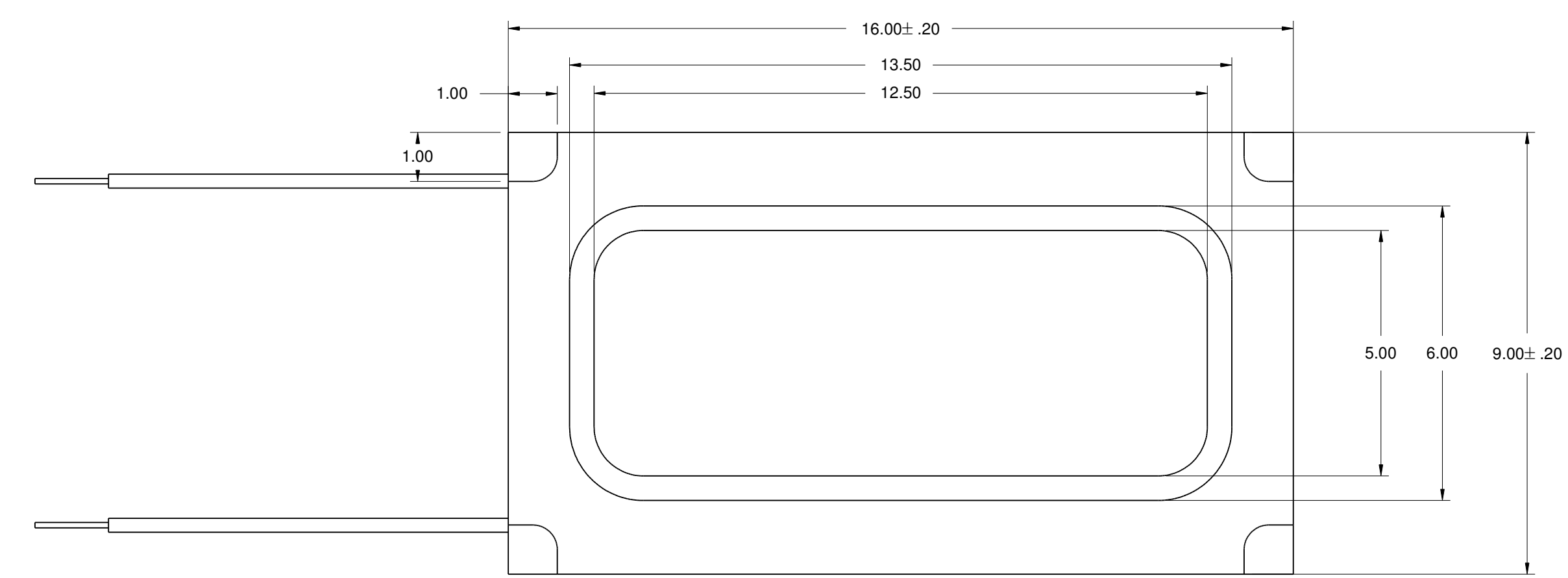
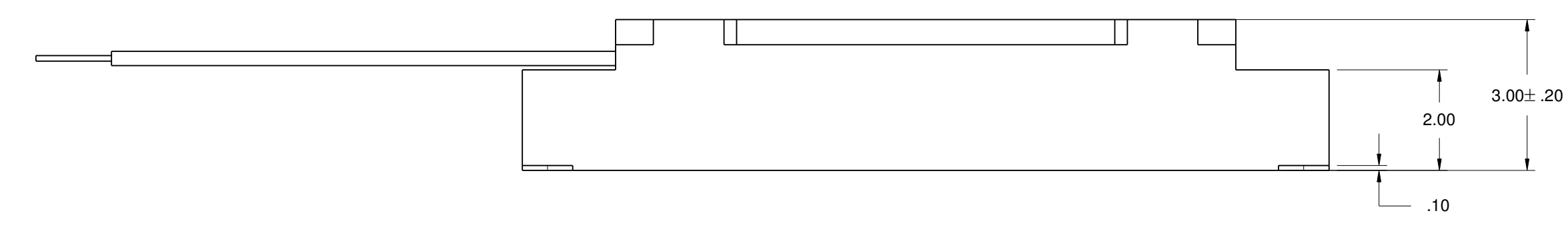
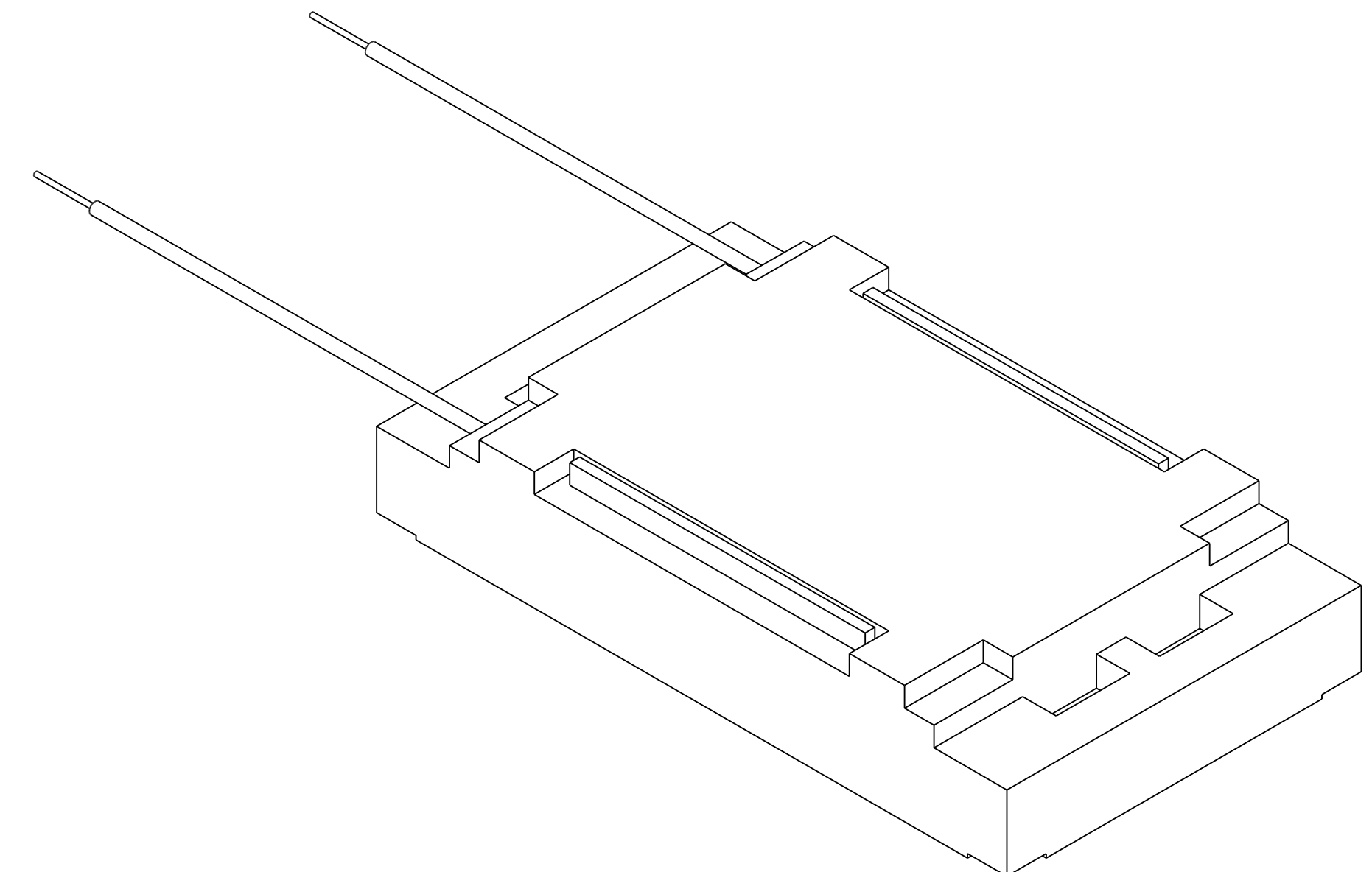
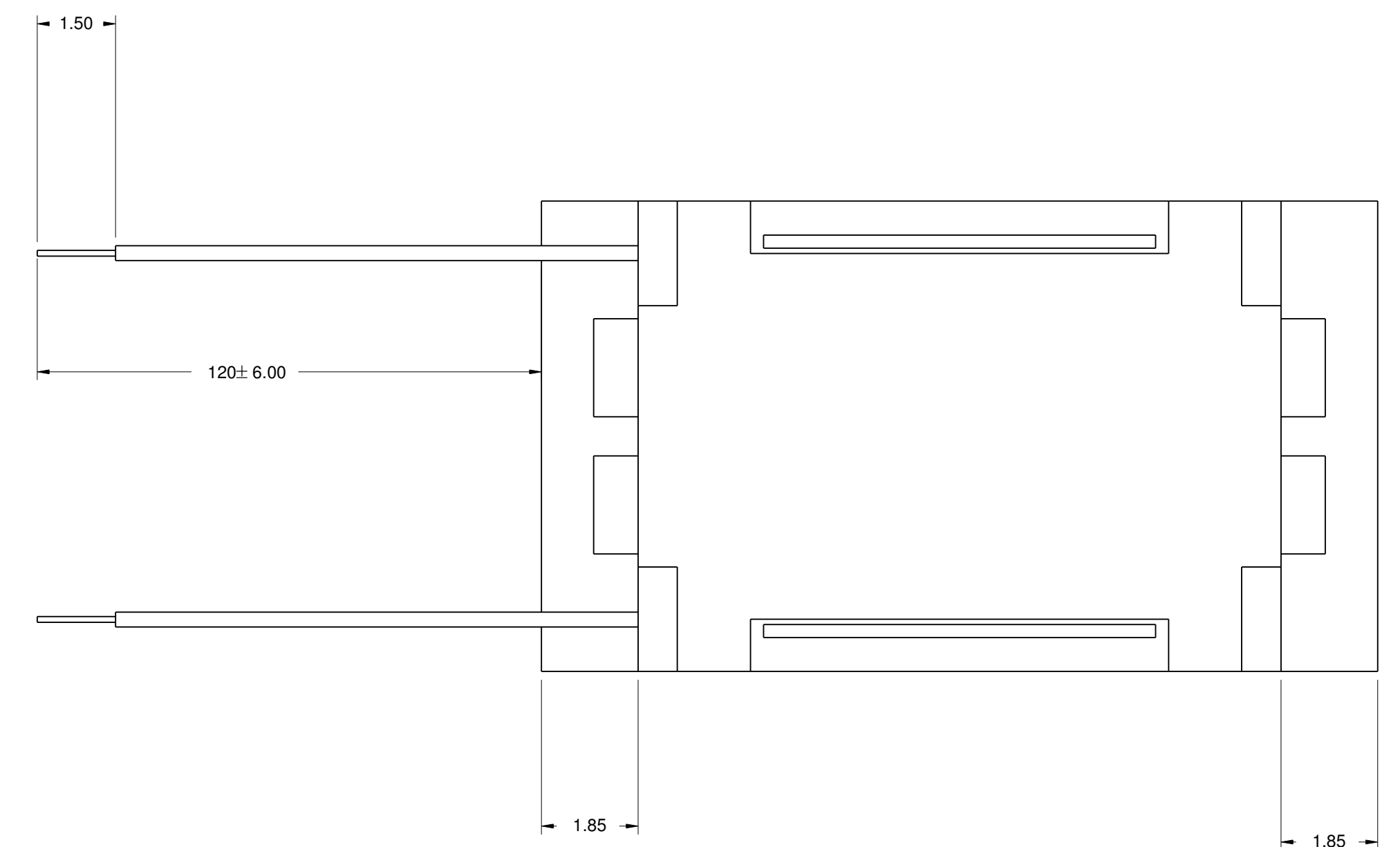


REVISIONS				
ZONE	REV	DESCRIPTION	DATE	APPROVED



No.	Part Name	Material	Quantity
1	Wire (120mm)	UL1571 / AWG32#	2
2	U Yoke	SPCC	1
3	Magnet	Nd Fe B	1
4	Plate 3	SPCC	1
5	Frame	Black PPA	1
6	Voice Coil	Copper Wire	1
7	Diaphragm	PEEK	1
8	Cap	Black PPA	1



ALL DIMENSIONS +/- .5MM UNLESS NOTED

SIZE	FSCM NO.	DWG NO.	REV
D		SP-1609-2	
SCALE	SHEET		1 OF 1
1:1			