

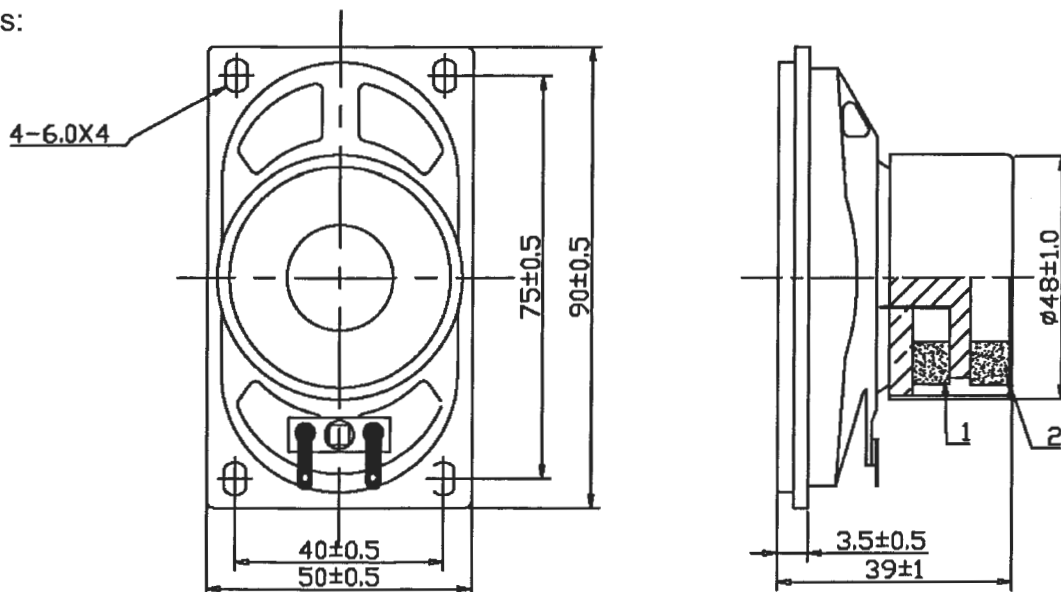
INTERVOX Speakers from International ©

215 McCormick Drive, Bohemia, NY 11716 (631)952-9595 Fax: (631) 952-9597 e-mail: oemsales@icc107.com

Code No. G82

ICC Part No.	S20X35VFS-5W (RoHS Compliant)	
1. Size	50 x 90 mm	Weight: 93 ± 5% grams
2. Materials	Magnet: Ferrite	Housing: Metal
3. Power Rating	Nominal: 5 W	Maximum: 8 W
4. Voice Coil Impedance	8 Ω ± 15 %	at 1K Hz 2.83V
5. Buzz & Rattles	Must not be evident	1.26V (const. voltage)
6. Resonant Frequency	240 Hz ± 20% Hz	at Fo Hz 2.83V
7. S.P.L.	86 dB/W ± 3 dB	1W 0.5M Average of 0.6, 0.8, 1.0, 1.2 KHz
8. Response	Fo ~ 15K Hz Dev. 20dB Max.	1W 0.5M
9. Distortion	5% Maximum	1W 0.5M
10. Load Test	Speaker shall meet item 5 after test.	1W 8 Hours Use White Noise (EIA Filter)
11. Humidity Test	Speaker shall meet item 5, 6 & 9 after test.	40° C 90~95 % R.H. 8 Hrs.
12. Heat Test		70° C 20~50 % R.H. 8 Hrs.
13. Operating Temperature	-20° to +60° C	
14. Storage Temperature	-30° to +70° C	
15. Polarity	With Positive voltage applied to the (+) terminal, the cone shall move away from the pole piece.	

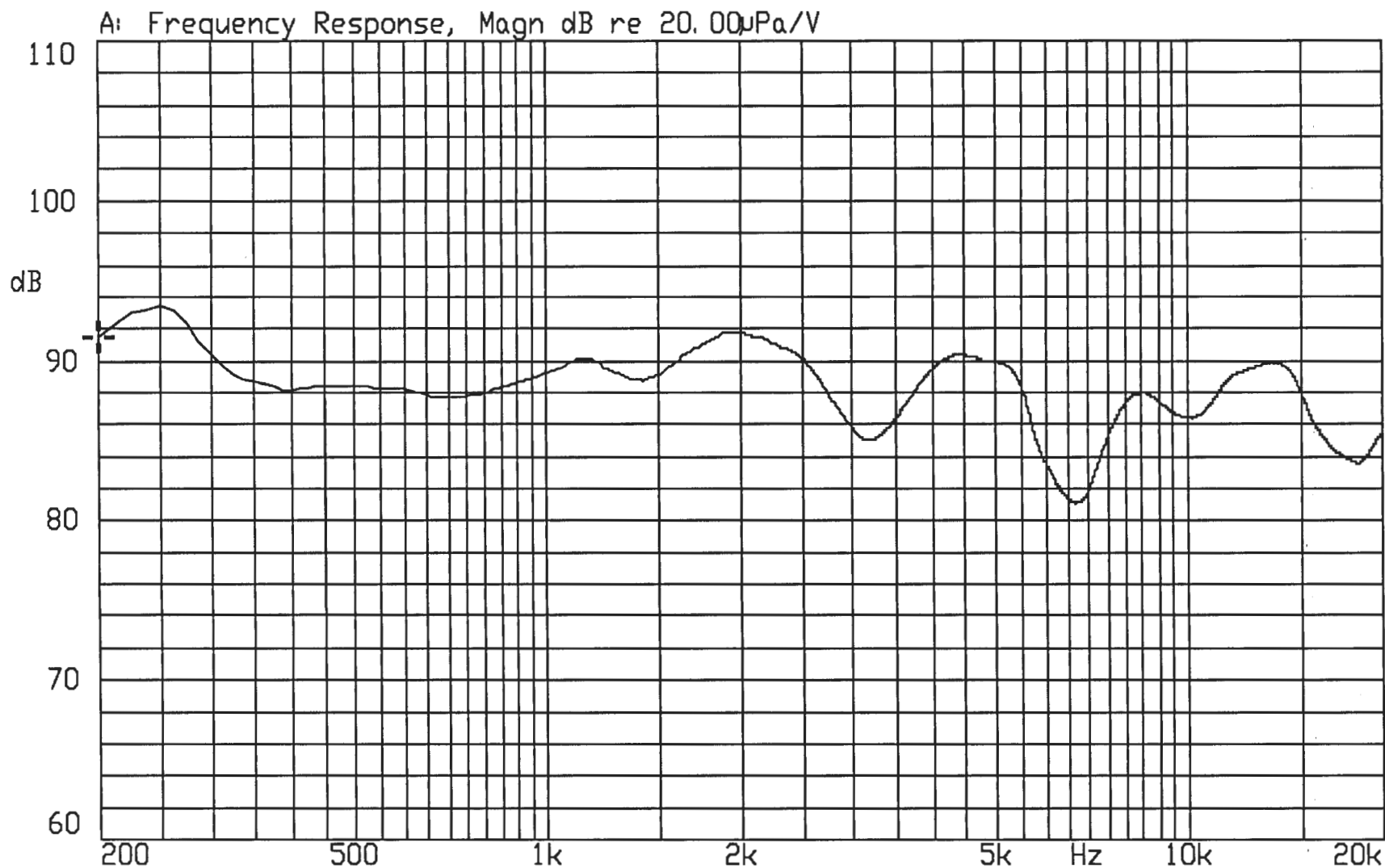
Dimensions:



INTERVOX Speakers from International ©

Model No. S20X35VFS-5W (RoHS Compliant)
Code: G82

Imp.: 8 Ω 1,000 Hz 2.83 V
S.P.L.: 86 \pm 3 dB 1 W 0.5 M



07-JAN-2009 13:44:05

Mode: TSR

