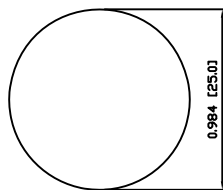
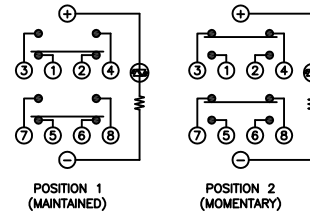


SUGGESTED PANEL CUTOUT



MAXIMUM PANEL THICKNESS: 0.394 [10.0mm]

SCHMATIC



SPECIFICATIONS

FUNCTION:  
2PNO OFF-(ON) + 2PNC ON-(OFF)

RATING:  
2A 48VDC

ILLUMINATION VOLTAGE:  
24V 20mA

CONTACT RESISTANCE:  
Initial: 50mΩ Max. at 1A 12VDC

INSULATION RESISTANCE:  
1,000MΩ Min. at 500VDC

DIELECTRIC STRENGTH:  
2,000VAC Min. for 1 Minute

ELECTRICAL LIFE:  
50,000 Cycles

MECHANICAL LIFE:  
1,000,000 Cycles

TEMPERATURE:  
Operating: -20°C to 70°C

INGRESS PROTECTION:  
IP65

APPROVALS:  
**RoHS**  
COMPLIANT

MATERIALS

BUSHING:  
Stainless Steel (304)

BASE:  
Polyamide 6/6 (PA66)

ACTUATOR:  
Stainless Steel (304)  
Polycarbonate (PC)

HARDWARE:  
Nickel Plated Brass (H59)

SEALING:  
Silicone Rubber

INNER ASSEMBLY:  
Polyamide 6/6 (PA66)  
Polycarbonate (PC)  
Polycarbonate (PC)  
Polycarbonate (PC)  
Brass (H59)  
Stainless Steel  
Beryllium Copper

SPRING:  
Stainless Steel

CONTACTS:  
Silver/Cadmium Oxide (AgCdO)

TERMINALS:  
Brass

O-RING:  
Silicone Rubber

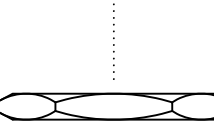
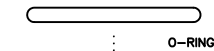
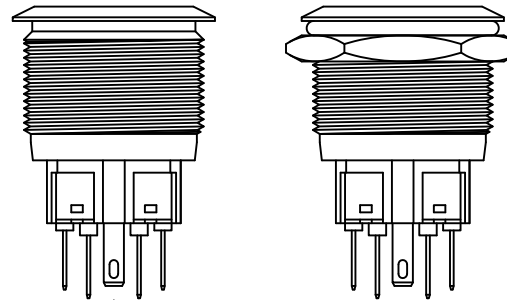
COLORS AND FINISH

BEZEL:  
Stainless Steel  
Machine Finish

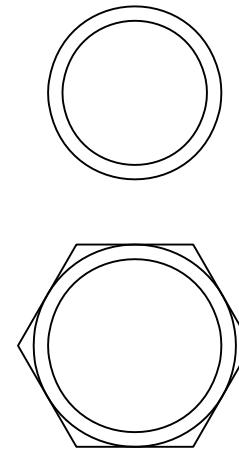
ACTUATOR:  
Stainless Steel  
Machine Finish

ILLUMINATION:  
Green (Forward)  
Green (Reverse)

MARKING:  
None



EXPLODED VIEW



ASSEMBLED VIEW

BODY	A	09/07/06	CAB
COLORS	A	09/07/06	CAB
MATERIALS	A	09/07/06	CAB
SPECIFICATIONS	A	09/07/06	CAB
REFERENCE	REV.	DATE	BY

THE INFORMATION CONTAINED IN THIS DOCUMENT IS PROPRIETARY TO E-SWITCH AND IS NOT TO BE COPIED OR TRANSFERRED

A	INITIAL RELEASE	19957	11/04/18	CAB
REV.	DESCRIPTION	PCR	DATE	DRAWN BY

DIMENSIONS	INCHES [MILLIMETERS]
GENERAL TOLERANCES	±0.008 [±0.2] / ±1'
SCALE	DRAWING NOT TO SCALE
PROJECTION	1st Angle

PV8F2V0SS-335		
ITEM NUMBER	DATE	REVISION
52-PV8F2V0SS335	APRIL 18, 2011	A