

2.92 mm Connector

4 Hole, Panel Mount type

Withwave's 2.92mm Connector with Panel Mount type is specially designed for RF & microwave applications such as modules, sub systems and microwave repeaters and offers compatible mating style to SMA, 3.5 mm connectors and easy mounting on the panel.

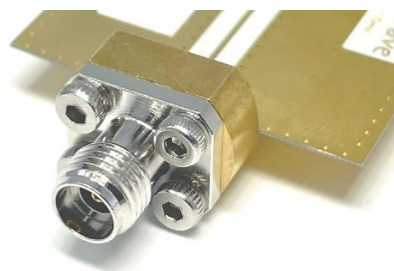


■ Features

- Freq Range : DC to 40 GHz
- Type of Connector: 2.92 mm (Female) with panel mount
- VSWR(Max) : 1.3 : 1
- Body : Brass (Sn+Ni Plated)

■ Application

- RF & Microwave Modules
- Sub Systems
- Microwave Repeaters



■ Specification

Scope	Items	Specification
Electrical	Freq. range	DC to 40 GHz
	Impedance	50 Ohm
	VSWR(Max)	1.3 :1 (DC to 40 GHz)
	Dielectric Withstanding Voltage(V,DC)	500
Material	Body	Brass (Sn+Ni plated)
	Center Contact	BeCu (gold plated)
	Insulator	Special dielectric
	Gasket	Silicon Rubber(Red)
Environmental	Temperature(Operating)	-40 to +125 degree
	Salt spray	720hrs

2.92 mm Connector

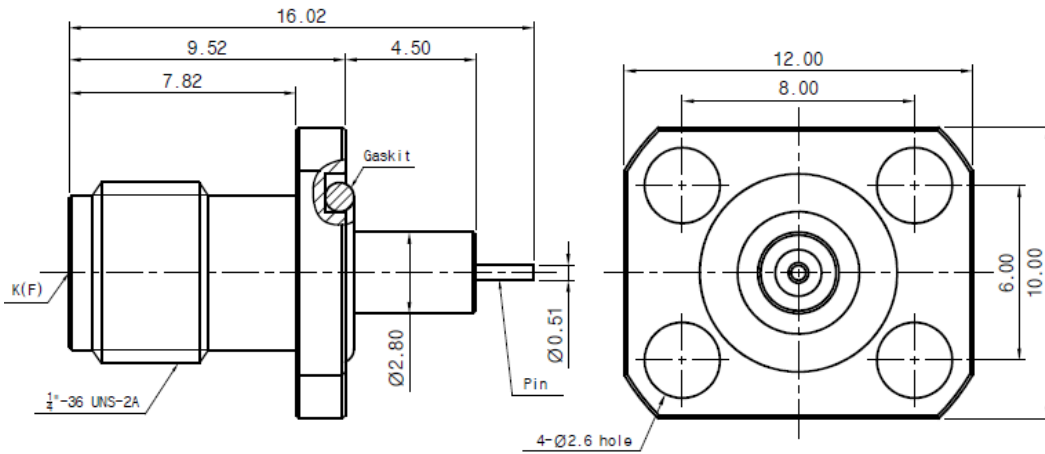
4 Hole, Panel Mount type

■ Drawing

Part No: PM03FS060

Pin length: 2.0 mm

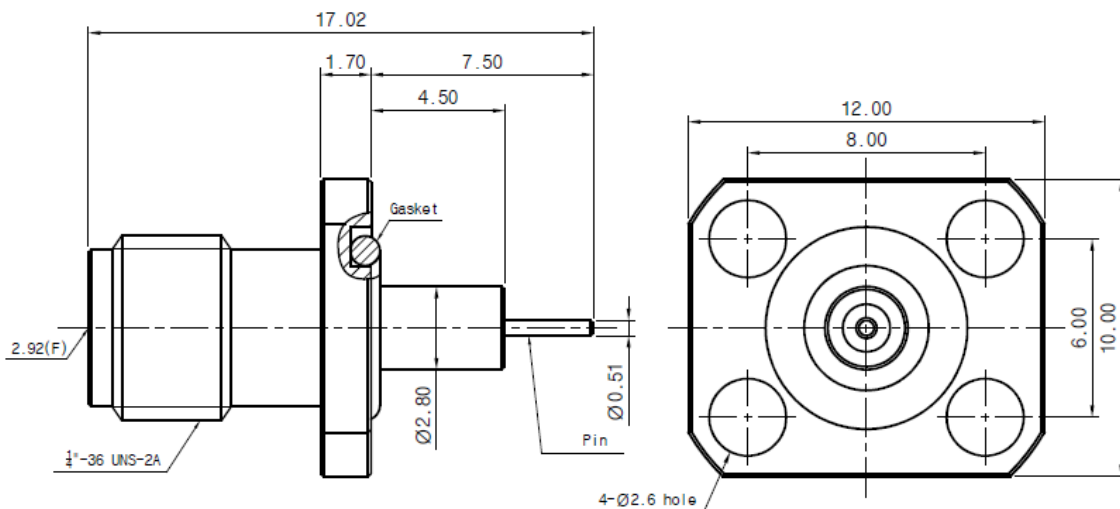
Unit : mm



Part No: PM03FS062

Pin length: 3.0 mm

Unit : mm



2.92 mm Connector

4 Hole, Panel Mount type

withwave

Versatile RF & MW Test Solutions

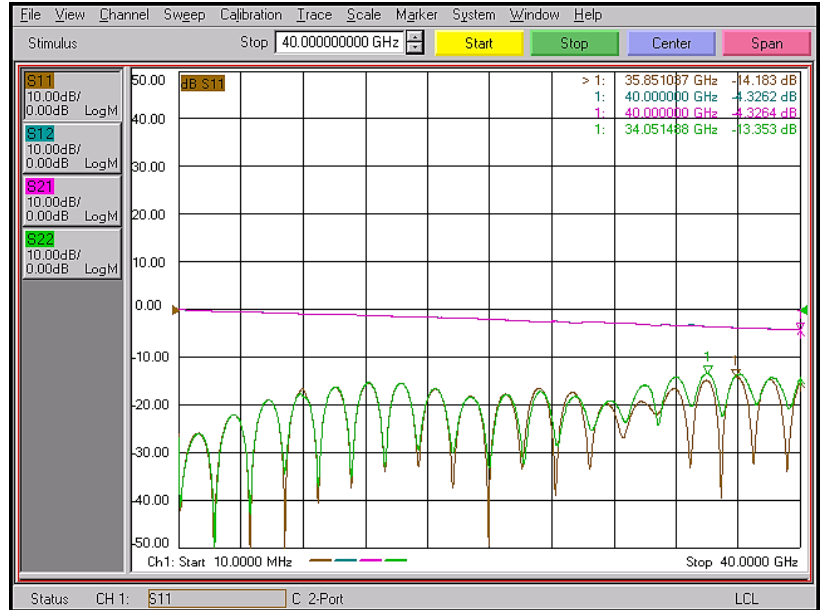
■ Test Result

Substrate : RO4350B (10 mil)

Part No. : PM03FS060



* Substrate length : 40 mm



2.92 mm Connector

4 Hole, Panel Mount type

■ Revision History

Revision	Date	Changes
Ver 1.0	2022-05-30	Released 2.92 mm Connector with 4 Hole, Panel Mount type