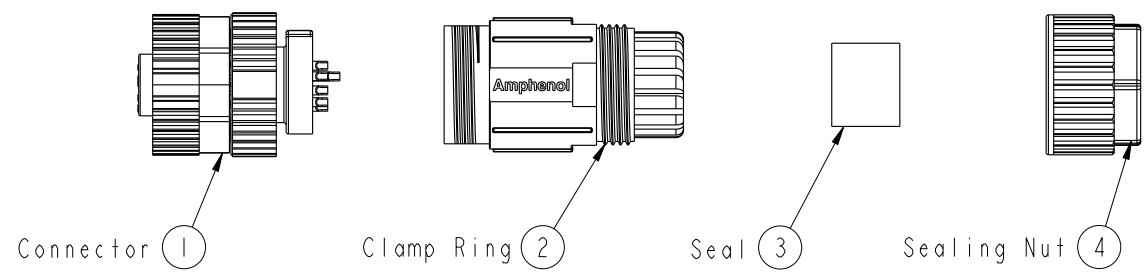


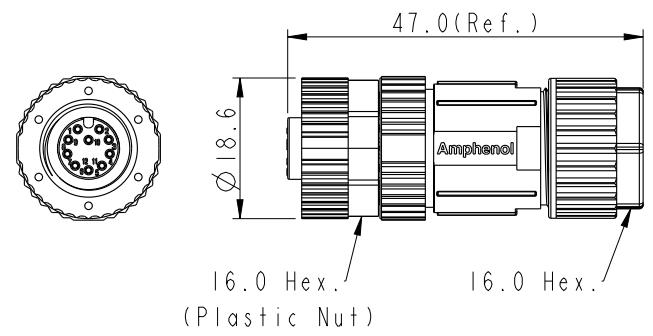
THIS DOCUMENT IS SUBJECT TO CHANGE WITHOUT NOTICE. IT IS CONFIDENTIAL AND A PROPERTY OF Amphenol LTW. DISCLOSURE TO THIRD PARTY HAS TO BE AUTHORIZED BY Amphenol LTW.

REV.	ECN NO.	DATE	SIGN	DESCRIPTION
B	LEN1670556	2016/07/22	Yulong_wang	Change the Note.

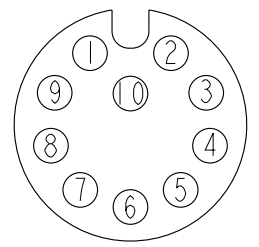
ALTW
CONFIDENTIAL
2016-07-22
R&D DEPT.



ALTW
DCC. DEPT.
CONFIDENTIAL
2016.07.26
ISSUED



- Note:
- * CC Important Dimension To Check.
 - * Waterproof Rate: IP67
 - * Housing: Nylon, Black.
 - * Female Pin: Copper Alloy, Gold Plated.
 - * Nut: PBT+PC, Black.
 - * O-Ring: Silicone, Grey.
 - * Clamp Ring: Nylon, Black.
 - * Sealing Nut: PBT+BC, Black.
 - * Seal: Silicone, Grey.
 - * Seal For Cable OD: $\varnothing 4.0\text{mm} \sim \varnothing 8.0\text{mm}$.
 - * Applicable Wire gauge (Stranded wire cross section) 26AWG~24AWG
 - * Mating Recommended tightening torque: 3~4 kgf.cm / 0.29~0.39 N.m
 - * Sealing-Nut Recommended tightening torque: 4~6 kgf.cm / 0.39~0.59 N.m
 - * Detailed applicable wire specifications may vary depending on the actual wire construction.



Pin Assignments
Front View

UNIT:mm		
TOLERANCE		
.X	± 0.25	
.XX	± 0.1	
.XXX	± 0.05	
ANGLES	$\pm 1^\circ$	

TITLE M12A Unshielded Assy 10Pin F Conn. F Pin			
SCALE 1:1	SIZE A4	SHEET 1 OF 1	
REV. B	WC-REV. A.3	CC : Inspection item	

Amphenol LTW
安費諾亮泰企業股份有限公司

ITEM NO. MSAP-10BFFA-SL7001	DRAWN BY Yulong_wang	DATE 2016-07-22
DWG NO. MSAP-10BFFA-SL7001	CHECKED BY Jinhai	DATE 2016-07-22
CUSTOMER ALTW	APPROVED BY Jerry	DATE 2016-07-22

F
E
D
C
B
A