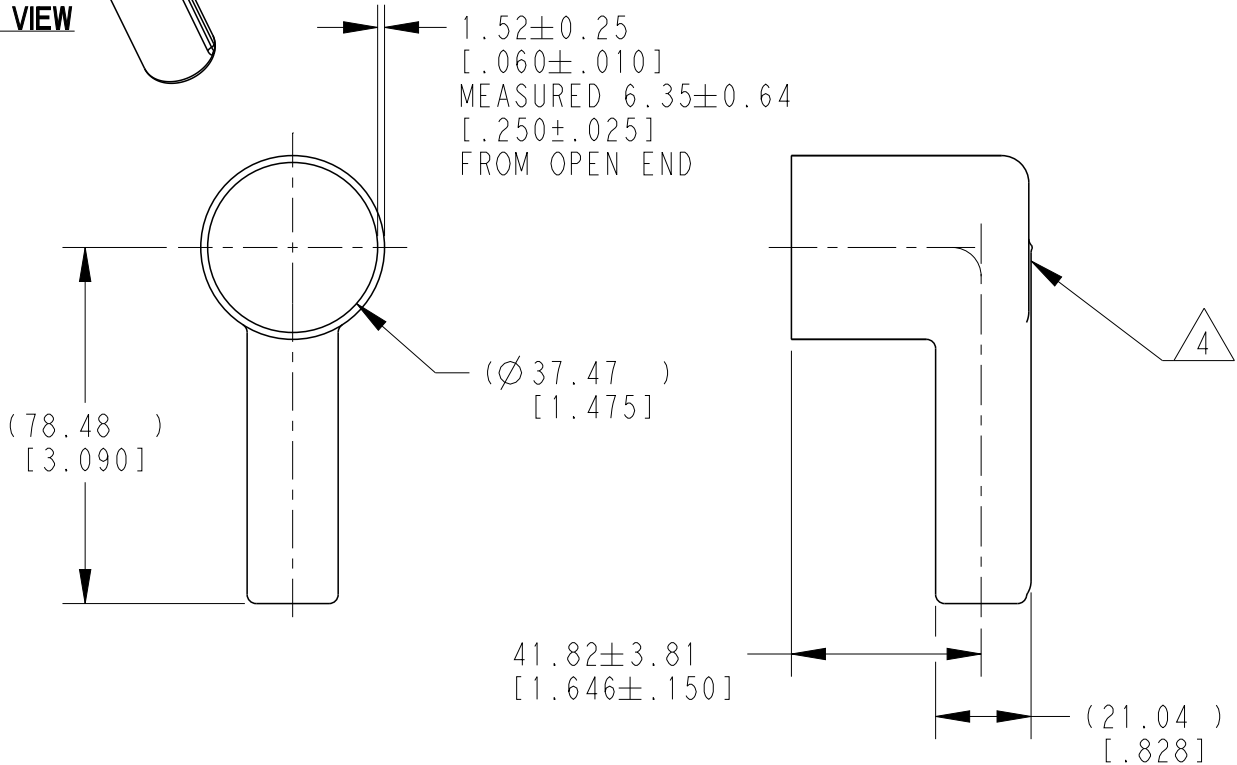
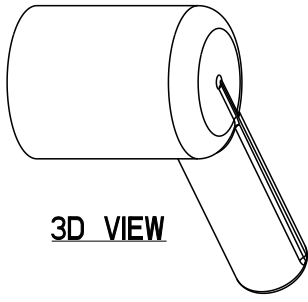


REVISIONS				
P	LTR	DESCRIPTION	DATE	APVD
	A	NEW RELEASE PER ECO-14-013277	27AUG2014	DM DM
	A1	REVISE PER PCN E-19-014487	16SEPT2019	JA IG
	A2	REVISED PER PCN E-20-006190	28APR2020	AP IG



5. SMALL NON-FILLS ARE ACCEPTABLE INSIDE PART, INCLUDING SUPPLIER MARKING.

4. SMALL MATERIAL EXTENSION IS ACCEPTABLE ON THIS END ALL AROUND. WALL THICKNESS ON THIS END MAY VARY.

3. THIS ACCESSORY PART IS PROVIDED WITHOUT TYPICAL TRANSPORTATION INDUSTRY PROCESS CONTROLS. NO VALIDATION TESTING HAS BEEN PERFORMED. CUSTOMER IS RESPONSIBLE FOR DETERMINING PRODUCT PERFORMANCE AND SUITABILITY FOR APPLICATION.

2. TEMPERATURE RATING: -29°C TO +100°C [-20°F TO +212°F].

1. THIS PART IS USED ON  
HDP24-24-XXX RECEPTACLES  
HDP26-24-XXX PLUGS  
HD34-24-XXX RECEPTACLES  
HD36-24-XXX PLUGS  
WHERE XXX IS PIN ARRANGEMENTS.

TE INTERNAL PN	DEUTSCH PN
HD30-24BT-90-BK	HD30-24BT-90-BK

NOTES:

THIS DRAWING IS UNPUBLISHED. ALL RIGHTS RESERVED. BY TE CONNECTIVITY. COPYRIGHT 2014.

DIMENSIONS:	
mm [INCHES]	
TOLERANCES UNLESS OTHERWISE SPECIFIED:	
0 PLC	±
1 PLC	±
2 PLC	±
3 PLC	±0.63 [0.025]
4 PLC	±
ANGLES	±0° 30' 0"

DWN	D.MEYER	27AUG2014
CHK	I. GRANTCHAROVA	27AUG2014
APVD	D.MEYER	27AUG2014
PRODUCT SPEC		
APPLICATION SPEC		
WEIGHT 16.61g		

MATERIAL	PVC	FINISH	BLACK
		TE Connectivity	
NAME BOOT, 90DEG, SIZE 24 HD30/HDP20 SERIES			
SIZE	A 4	CAGE CODE	4AFU8
DRAWING NO	C=HD30-24BT-90-BK		RESTRICTED TO
CUSTOMER DRAWING			SCALE 3:5