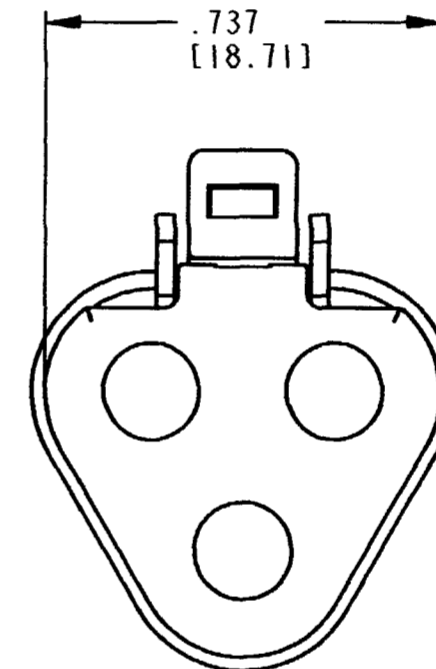
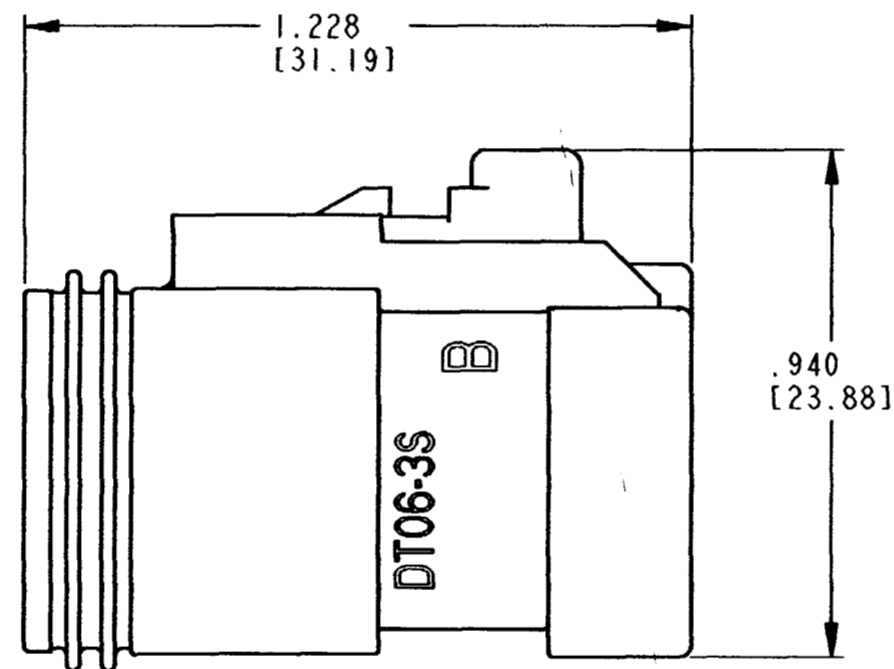
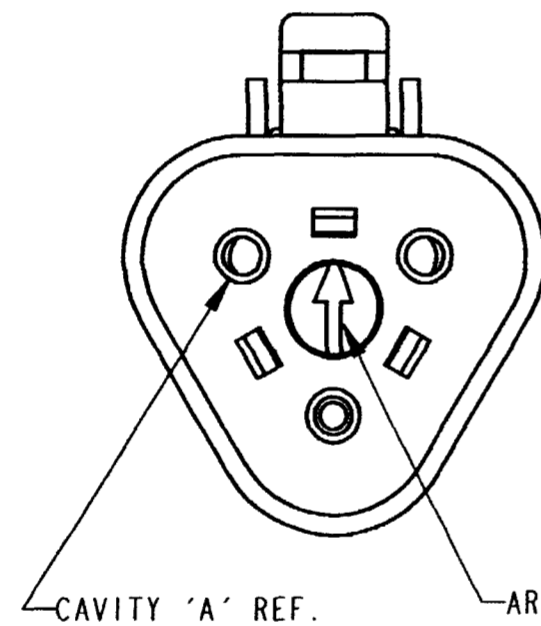


REV
A DT06-3S-C017

REVISIONS			
SYM	DESCRIPTION	DATE	APPROVED
NC	NEW RELEASE PER E.O. P15565	3/10/98	R.D.R.
A	REVISED PER E.O. P19376	10-23-06	RDR



UNLESS OTHERWISE SPECIFIED:

4. THIS CONNECTOR CAN PASS THROUGH A ONE (1) INCH HOLE.
3. CONSULT FACTORY FOR CONTACT SPECIFICATION AND APPLICATION.
2. ALL DIMENSIONS ARE ±.025 [.064].
1. ALL DIMENSIONS ARE IN INCHES, [METRIC].

NOTES:

SIGNATURE & DATE	
DR	S. THEIS 2/27/98
CHK	<i>[Signature]</i> 10/24/06
PE	R. Wenzel 10/18/06
APPD	S. Beard 10-20-06
SCALE	NONE WT

3 WAY PLUG
DT SERIES
C017 MOD

ENVELOPE

EP	MATL. CODE
The Deutch Company DEUTSCH I. P. D. 3850 INDUSTRIAL AVE. HEMET, CALIF. 92545	
B	DT06-3S-C017
DWG SIZE	CODE 11139 SHEET 1 OF 1