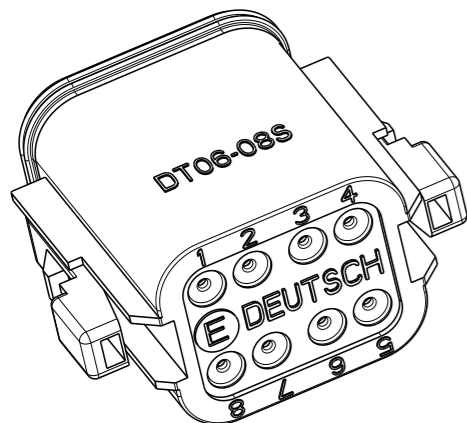
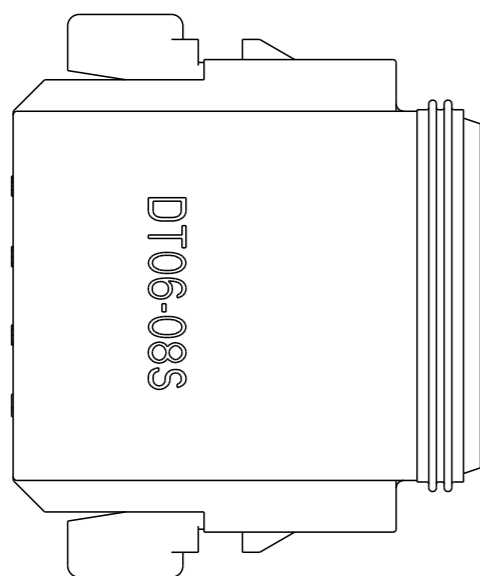


REVISIONS

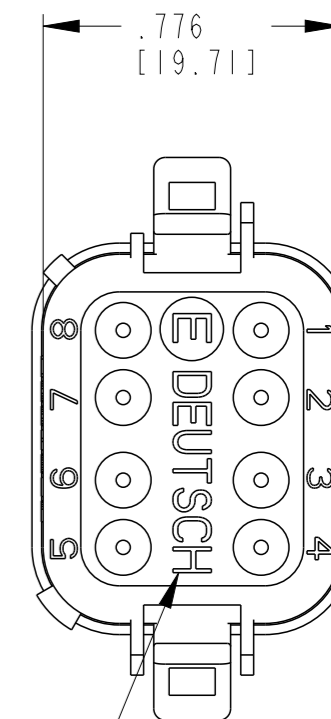
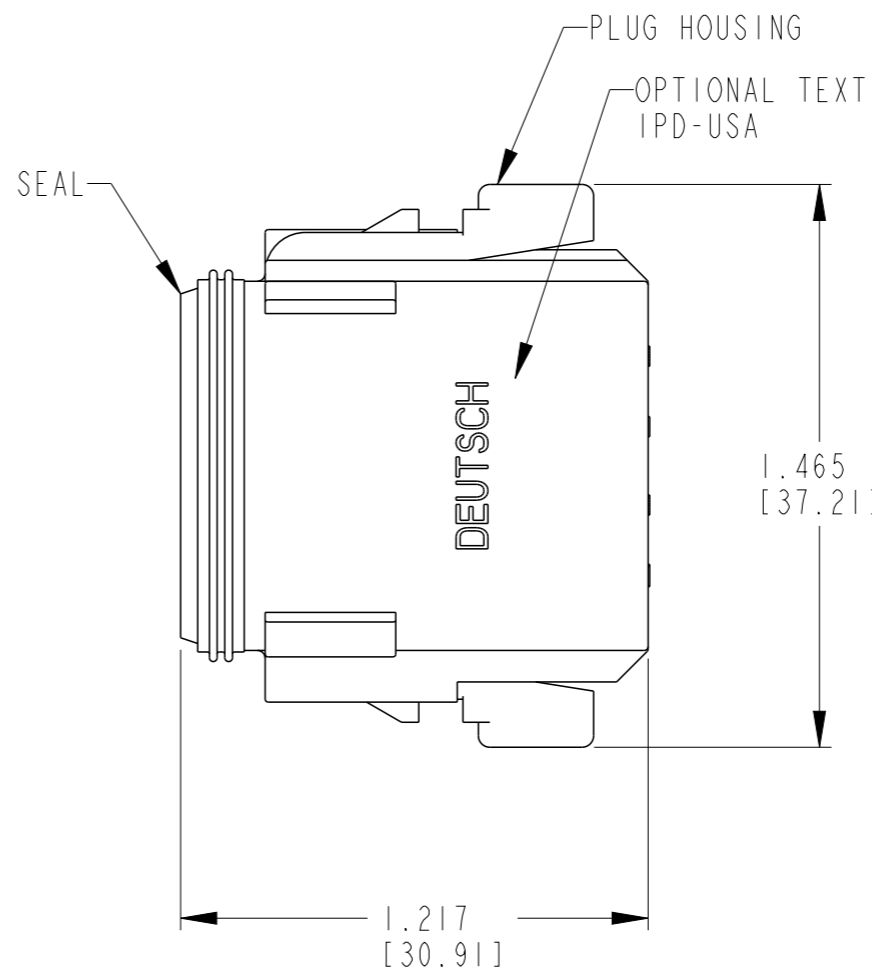
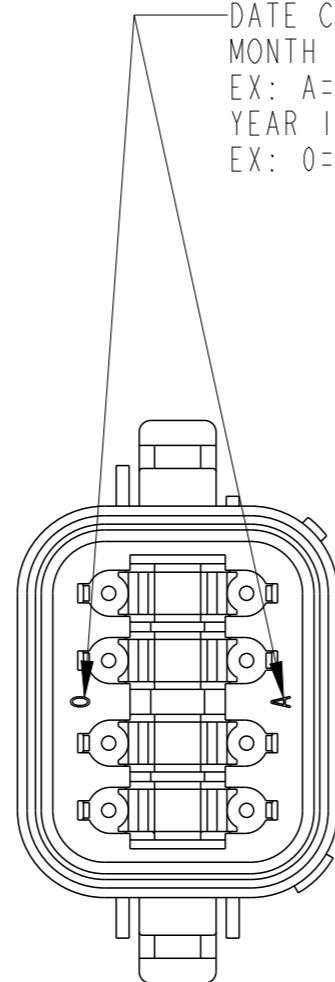
P	LTR	DESCRIPTION	DATE	DWN	APVD
	NC	REVISED PER E.O. P16304	09/10/99		RDR
	A	REVISED PER E.O. P19538	05/17/07		RDR
	AI	REVISED PER PCN E-19-006972	05/01/19	DD	DM



3D VIEW



DATE CODE:
 MONTH IS REPRESENTED BY SEQUENTIAL ALPHA CHARACTERS.
 EX: A=JANUARY
 YEAR IS REPRESENTED BY LAST NUMERICAL DIGIT.
 EX: 0=2010



TEXT ORIENTATION OPTIONAL

- 4. THIS PLUG MATES WITH DT04-08PA-XXXX RECEPTACLE (XXXX = ALL MODIFICATIONS). CONSULT FACTORY FOR MODIFICATIONS.
- 3. FOR CONTACTS AND WIRE PERFORMANCE AND APPLICATION CHARACTERISTICS SEE ENVELOPE DRAWING 0425-015-0000.

2 MATERIAL: PLUG HOUSING: PA 66 GF15 (BLACK)
 SEAL: VMQ (ORANGE-RED)
 GROMMET: VMQ (BURNT RED)

1. SECONDARY WEDGE LOCK SOLD SEPARATELY: W8S-P012.

NOTES:

TE INTERNAL PN	DEUTSCH PN		
DT06-08SA-CE10	DT06-08SA-CE10		
CONTACT SIZE	MIN. INSUL O.D.	MAX. INSUL O.D.	WIRE RANGE [mm ²]
16	.053 [1.35]	.120 [3.05]	14-20 AWG [2.0-0.5]

THIS DRAWING IS A CONTROLLED DOCUMENT.		DWN S. THEIS 9/9/99	TE TE Connectivity			
DIMENSIONS: INCH [mm]		CHK S. BYFORD 5/17/09				
TOLERANCES UNLESS OTHERWISE SPECIFIED:		APVD R. MESSENGER 5/10/07	NAME 8 WAY PLUG REDUCED WIRE SEALS SEAL RETENTION DESIGN, DT SERIES			
0 PLC ±		PRODUCT SPEC 108-151009	SIZE A3	CAGE CODE 00779	DRAWING NO. DT06-08SA-CE10	RESTRICTED TO -
1 PLC ±		APPLICATION SPEC 114-151009	SCALE 2:1 SHEET 1 OF 1 REV AI			
2 PLC ±		WEIGHT 13 G				
3 PLC ±.025[0.63]		CUSTOMER DRAWING				
4 PLC ±						
ANGLES ± ±0°30'0"						
FINISH -						
MATERIAL 2						