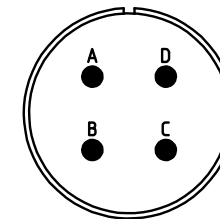
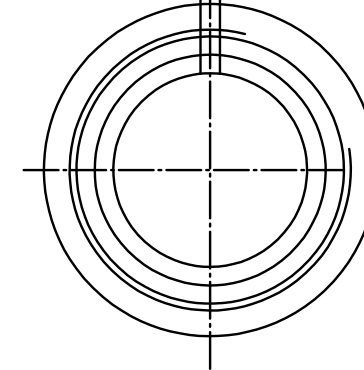


| NO. | MASSE / DIMENSION |
|-----|-------------------|
| A   | 34.1              |
| B   | 1 1/8-18NEF-2B    |
| C1  | 14.3              |
| C2  | -                 |
| D   | 68                |



| NO. | BESCHREIBUNG / DESCRIPTION              |
|-----|---|
| 2   | ISOLIERKÖRPER BUCHSE / INSULATOR SOCKET |
| 3   | DICHTKÖRPER / GROMMET                   |
| 4   | ENDRING / ENDRING                       |
| 6   | KONTAKTBUCHSE / CONTACT SOCKET          |
| 7   | ZYLINDERGHÄUSE / BARREL                 |
| 9   | ÜBERWURFMUTTER / COUPLING NUT           |
| 12  | ENDGEHÄUSE / ENDBELL                    |

Note: Due to an automatic nomenclature system, numbers generated may not be sequential.  
 Specification and Dimensions subject to change  
 Drawings illustrate normal insulator positioning

| Material Specification: |  |
|-------------------------|--|
| Shell Material:         | Aluminium alloy                                  |
| Shell Plating:          | Olive drab chromate coating over cadmium plating |
| Insulator Material:     | Neoprene   |
| Contact Material:       | Copper alloy                                     |
| Contact Plating:        | Hard silver                                      |

all dimensions are in mm  
 Dimensions without tolerance indications are general tolerances in acc. with DIN7168m

drawing for  
 CUSTOMER



description CA3106E18-4SZ-F80  
 Plug, straight  
 Endbell with clamp and bushing  
 AWG Crimp / Socket / Layout: 18-4

© All rights reserved. Reproduction or issue to third in any form  
 whoever is only permitted with written authorization of ITT Cannon



page 1/1  
 revision 929 11. Jun 19