

1

2

3

4

5

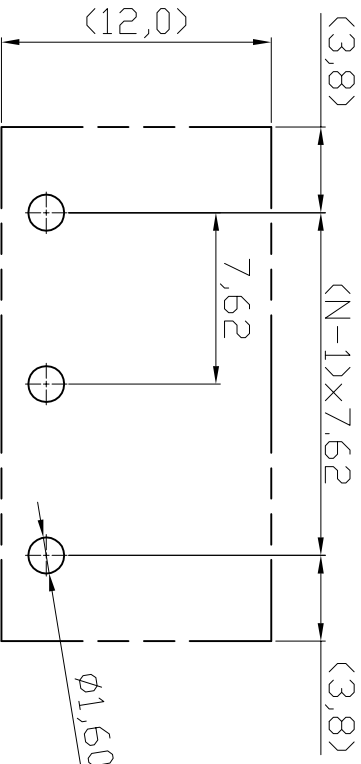
6

7

A

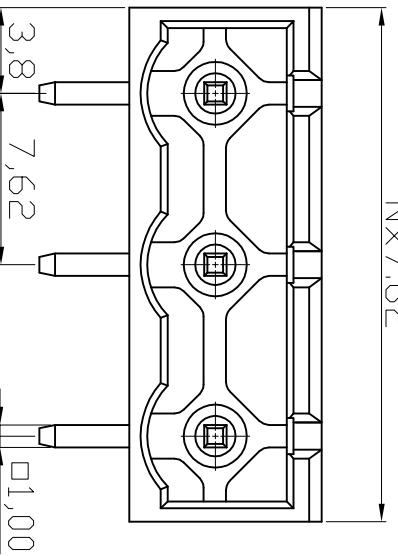
N x 7,62

## P.C.B LAYOUT



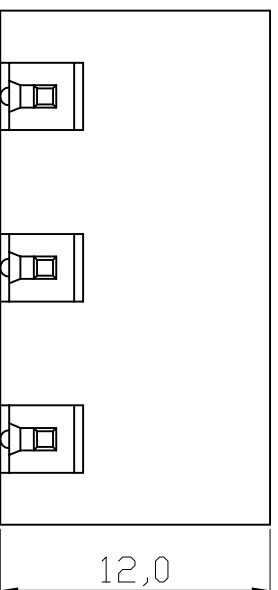
B

C



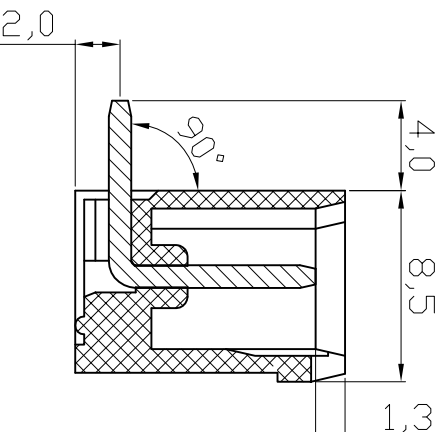
D

N=Number of contacts



E

F




## Material

Terminal body  
(contact pin): Brass(CuZn) Tin plated  
Insulator (housing): Thermoplastic (UL94V-0)Green

## Electrical

cULus

Voltage rating: 300VAC  
Current rating: 20A  
Withstanding Voltage: 1.6KV  
Operating temperature: -30°C to +105°C  
Soldering temperature: 250°C±10°C/5 Sec  
Safety Approved: us

G

RoHS compliant



File No.: E349947

Scale 1:1

TOLERANCE

X.	±0.50
X.X	±0.30
X.XX	±0.10

DIM

X.°	±1°
Angle	TOL

Id.	Modification
-----	--------------

Customer-No.

Name

Date

Drawn

29.07.2009

Dean

Approved

19.04.2016

Winnie

Drawing-No.

ASSMANN WSW-No.  
A-TB762-00XXCH

ASS 3600 CO rev03

Replace

Sheet

1

2

3

4

5

6

7

H

G

F

E

D

C

B

A