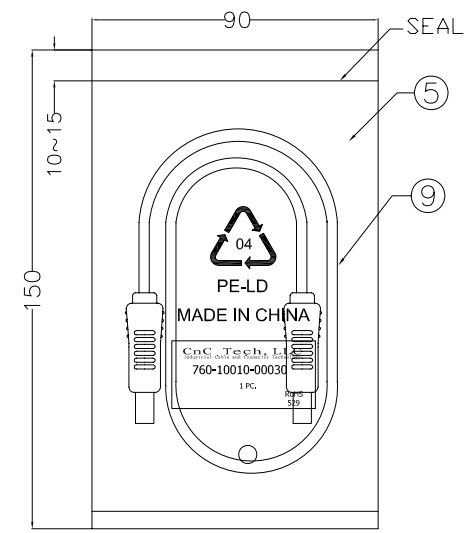
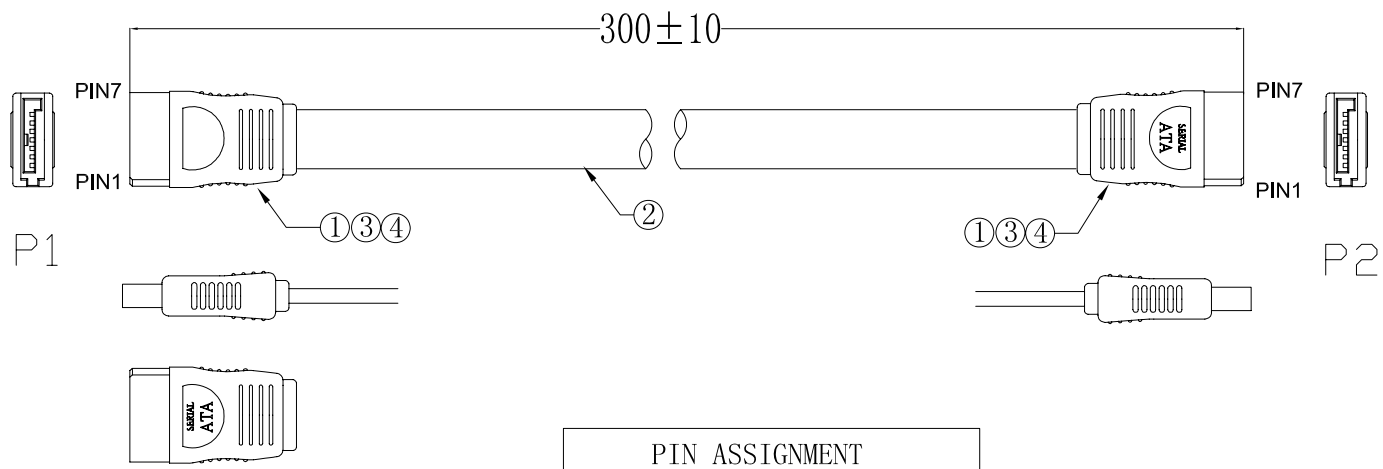


UNIT: MM



PIN ASSIGNMENT		
P1		P2
1	GND	1
2		2
3		3
4	GND	4
5		5
6		6
7	GND	7

TEST REQUEST:
 100% OPEN SHORT MIS WIRE TEST
 CONTACT RESESTANCE 1 ohm MIN
 INSULATION RESISTANCE 10M ohm MIN
 HI-POT DC300V/0.1SEC

NO.	NAME	Q'TY	SPECIFICATION
⑥	PE BAG	1/10	CLEAR SIZE: 280*330*0.05mm PRINT BLACK"MADE IN CHINA"+"10PCS"及生产周期,有透气孔.
⑤	PE BAG	1	CLEAR SIZE: 90*150*0.05mm PRINT BLACK"MADE IN CHINA"+"1PC"及生产周期,有透气孔.
④	IN JACKET	3g	CLEAR LD-PE
③	OUT JACKET	6g	PVC 45P COLOR BLACK
②	CABLE	1	UL2725 [26AWG(1/0.404)*2+D(1/0.32)*2+AL]*2F OD2.2*7.8mm JACKET RED(RD-16#) L285+5/-0mm.
①	CONN	2	SERIAL ATA FEMALE 7PIN CONNECTOR:CRIMP TYPE PIN:15U" INSULATOR:BLACK

CnC Tech, LLC			
Industrial Cable and Connector Technology			
DRAWN BY	ZHONGHS	DRAWING NO.	
CHECKED BY		CUSTOMER	
APPROVAL BY		ITEM NO.	760-10010-00030
DECIDE BY		DATE	2012-02-16
VERSIONS/EDITED	A/0	PROJECTION	