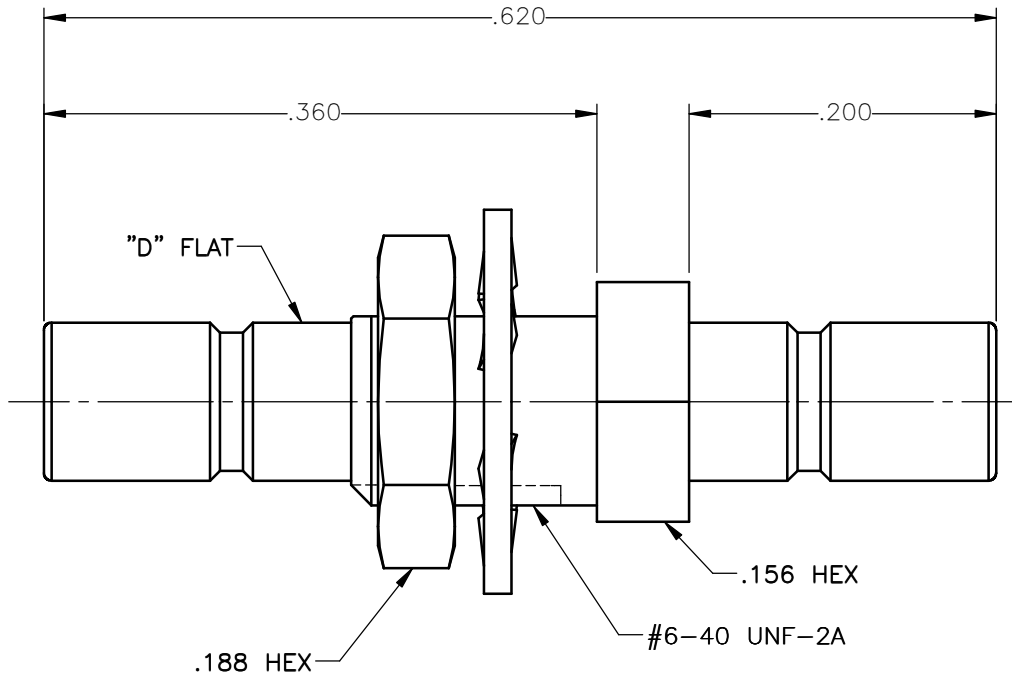


REVISIONS			
REV.	DESCRIPTION	DATE	APPROVED
A	INITIAL RELEASE	06/17/11	M.J.





NOTES:

MATERIALS:

1. INSULATOR = VIRGIN WHITE TEFLON PER ASTM D1710, GRADE 1, TYPE I, CLASS "B".
2. CONTACT = BERYLLIUM COPPER PER ASTM B196, ALLOY C17300, TEMPER TD04.
3. LOCKWASHER = PHOSPHOR BRONZE PER ASTM B139, COPPER ALLOY C53400, TEMPER H04.
4. ALL OTHER METAL PARTS = BRASS PER ASTM B16, ALLOY C36000, TEMPER H02.

FINISHES:

1. CONTACT = GOLD PLATE PER MIL-G-45204, TYPE II, CLASS 1, GRADE C, OVER .00010 TO .00020 STRESS FREE SULFAMATE NICKEL PER QQ-N-290.
2. ALL OTHER METAL PARTS = GOLD PLATE PER MIL-G-45204, TYPE II, CLASS 0, GRADE C, OVER .00010 TO .00020 COPPER STRIKE PER MIL-C-14550.

UNLESS OTHERWISE SPECIFIED DIMENSIONS ARE IN INCHES TOLERANCES ON	DWN: M.J.	DATE 06/17/11	 Property of Radiall This document cannot be reproduced or communicated to a third party without prior written permission of RADIALL.			
	CHKD: D.N.	DATE 06/17/11				
DECIMAL	ANGLE	APVD: J.M.	SSMB JACK TO SSMB JACK BULKHEAD MOUNT ADAPTER			
		DATE 06/17/11				
REFERENCE:	MATERIALS & FINISHES: SEE NOTES		SIZE A	FSCM NO. 19505	DWG NO. 7222-1501-000	REV A
ORIGINATED: M.J. DATE: 06/17/11			SCALE 8:1	THIRD ANGLE PROJECTION		SHEET 1 OF 1

7222-1501-000