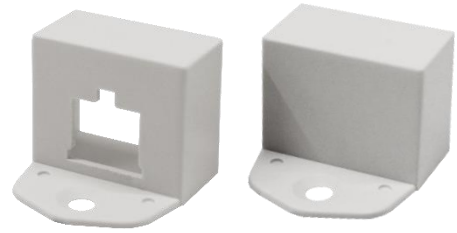
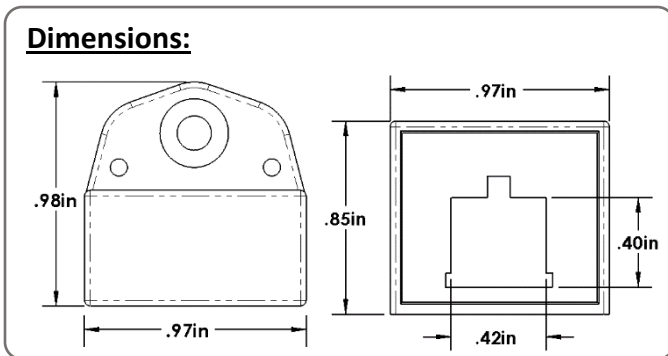
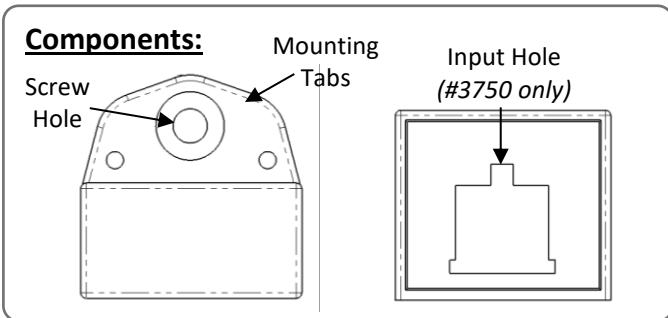


## Tall (1") End Caps

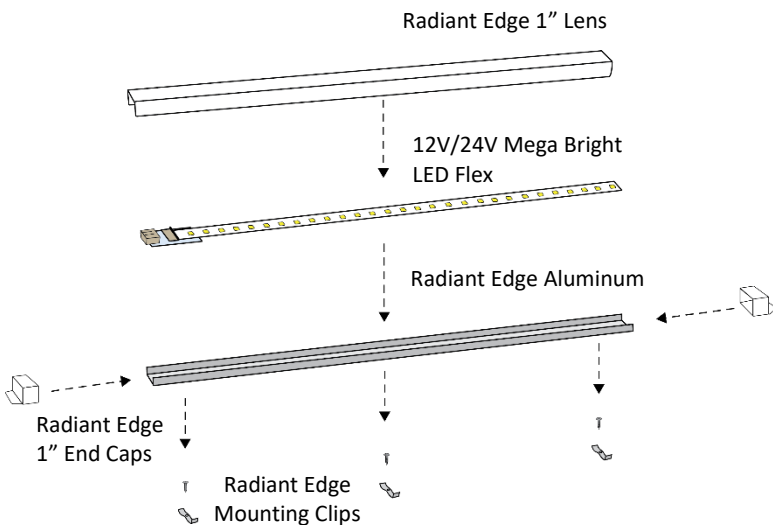


SKU# 3750 (With Input Hole)  
SKU# 3770 (Without Input Hole)

The new **DIY Radiant Edge Series System** from Inspired LED allows contractors and customers alike to build their own elegant low-voltage fixtures in-field. Simply combine aluminum channels, lenses, and end caps with your choice of 12V or 24V flexible LED strips to create the perfect lighting solution for any home or business!



**Assembly:**

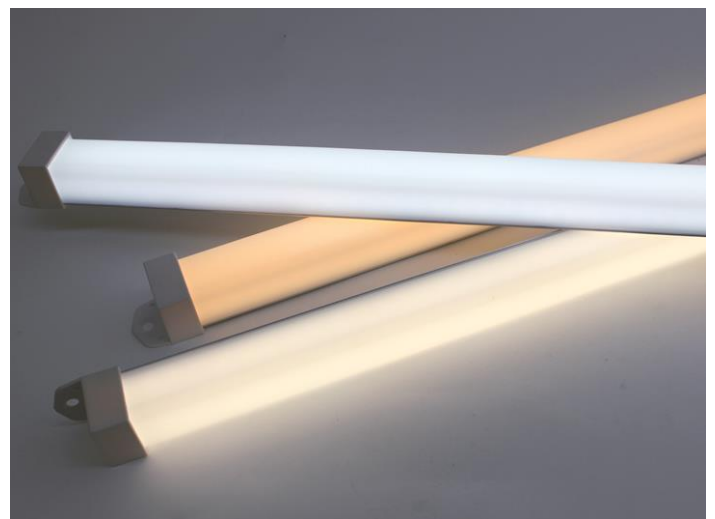


**Product Features:**

- Compatible with Radiant Edge Series tall diffusor lens (3725-W) and aluminum channel (3662)
- Radiant Edge System recommended for use with:
  - 12V Mega Bright, or 24V Mega Bright LEDs (see LED specs for more info including power requirements)
  - 3.5mm Tiger Paws® or Tiger Paw Screw Terminals®
- Lightweight ABS plastic polymer material
- Tabs for screw mounting
- Sold individually with mounting screw included

**Specifications:**

- Width: 0.97", Height: 0.85", Length: 0.98"
- Net Weight: 2g (each)



*\*See full installation guide for step-by-step instructions.*