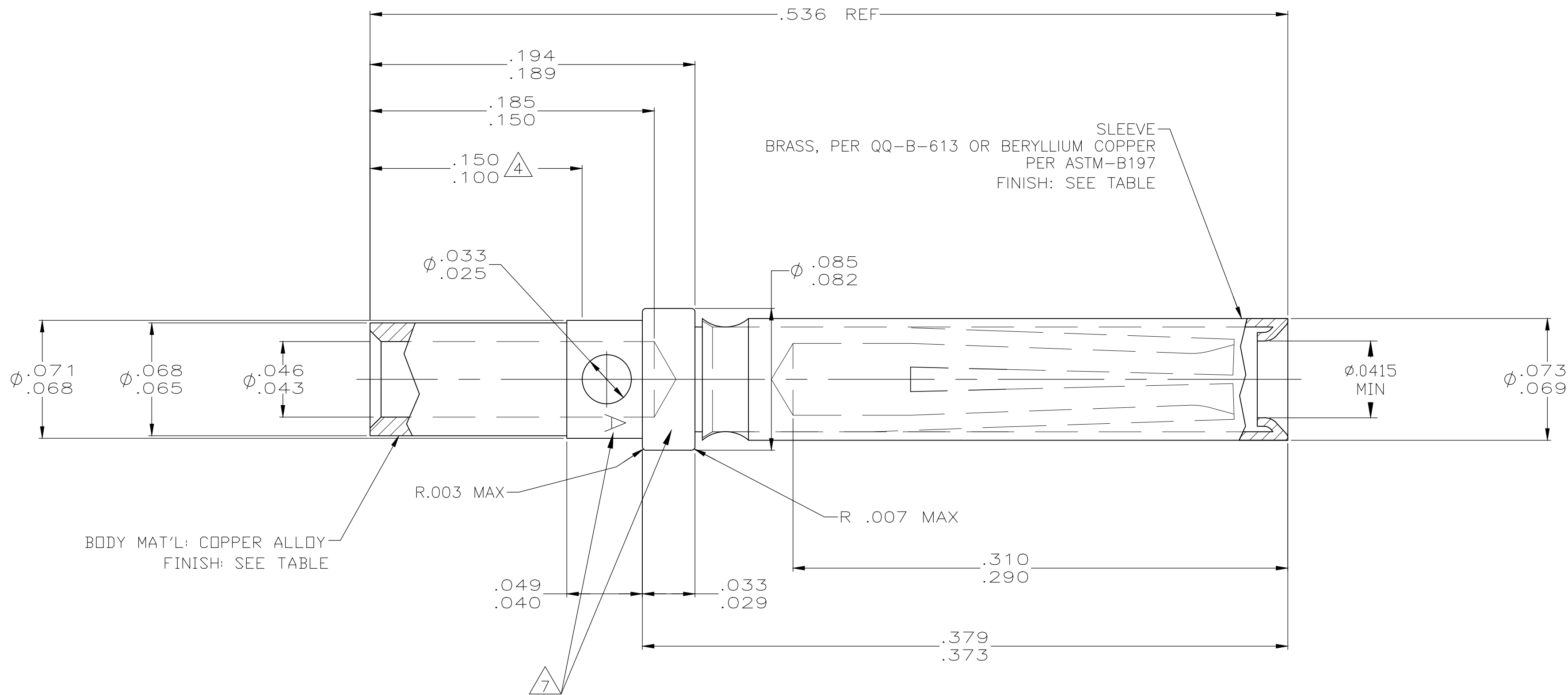
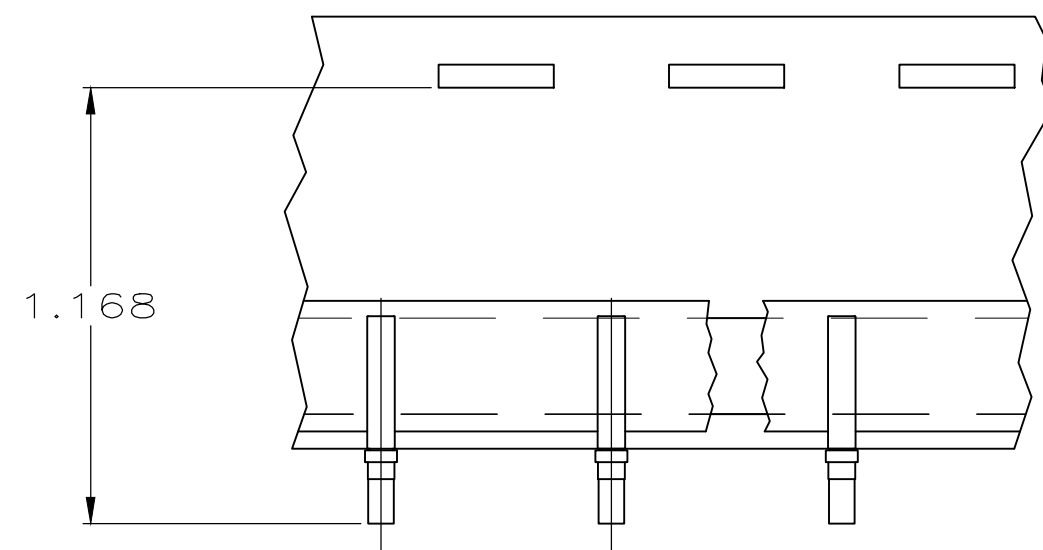


REVISIONS					
P	LTR	DESCRIPTION	DATE	DWN	APVD
M		REV PER ECO 20-007904	11-25-20	CT	DM



1. CONTACTS QUALIFIED TO GSFC-S-311-P-4/10, NASA P/N G-10-S1
2. ALL DIAMETERS ARE CONCENTRIC WITH EACH OTHER WITHIN .004 T.I.R.
3. ALL SURFACES HAVE $\sqrt{63}$ OR BETTER FINISH.
4. POINT OF PLATING THICKNESS MEASUREMENT.
5. SLEEVE MAY BE CRIMPED OR DIMPLED TO BODY.
6. MINIMUM SEPERATION FORCE OF 7 OZ USING A .039 PIN AND 4 OZ MAX ENGAGEMENT FORCE USING A .041 PIN.
7. OPTIONAL LOCATION FOR STAMPED LETTER "A"
8. PLATING: GOLD PER ASTM-B-488 (TYPEII) OVER COPPER PER AMS 2418, .000050 MIN THK.
9. PLATING: GOLD PER ASTM-B-488 (TYPEII) OVER NICKEL PER AMS-QQ-N-290.
10. CONTACTS MEET REQUIREMENTS OF AS39029/63-368
11. RESTRICTED PART NUMBER.



TAPE MOUNTED
PART NO 206793-2 ONLY
SCALE 2:1

FINISH	DESCRIPTION	PART NO
11		1-206793-1
9	AS SHOWN	206793-4
OBSOLETE	SAME AS -1 EXCEPT 6	206793-3
1	SAME AS -1 EXCEPT TAPE MOUNTED 5,000 CONTACTS PER REEL	206793-2
1	AS SHOWN	206793-1

THIS DRAWING IS A CONTROLLED DOCUMENT.		DWN C.C.THOMAS 11-20-02		
DIMENSIONS: INCHES		CHK D.MILLER 11-20-02		
TOLERANCES UNLESS OTHERWISE SPECIFIED:		APVD D.MILLER 11-20-02	NAME	
0 PLC ± -		PRODUCT SPEC	SOCKET CONTACT ASSY, SIZE 20, AMPLIMITE	
1 PLC ± -		APPLICATION SPEC	-	
2 PLC ± -			-	
3 PLC ± -			-	
4 PLC ± -			-	
ANGLES ± -			-	
MATERIAL SEE CALLOUT		FINISH -	WEIGHT 0.000000	RESTRICTED TO -
			SIZE A2	CAGE CODE 00779
			DRAWING NO C-206793	
			SCALE 20:1	SHEET 1 OF 1
			CUSTOMER DRAWING	REV M