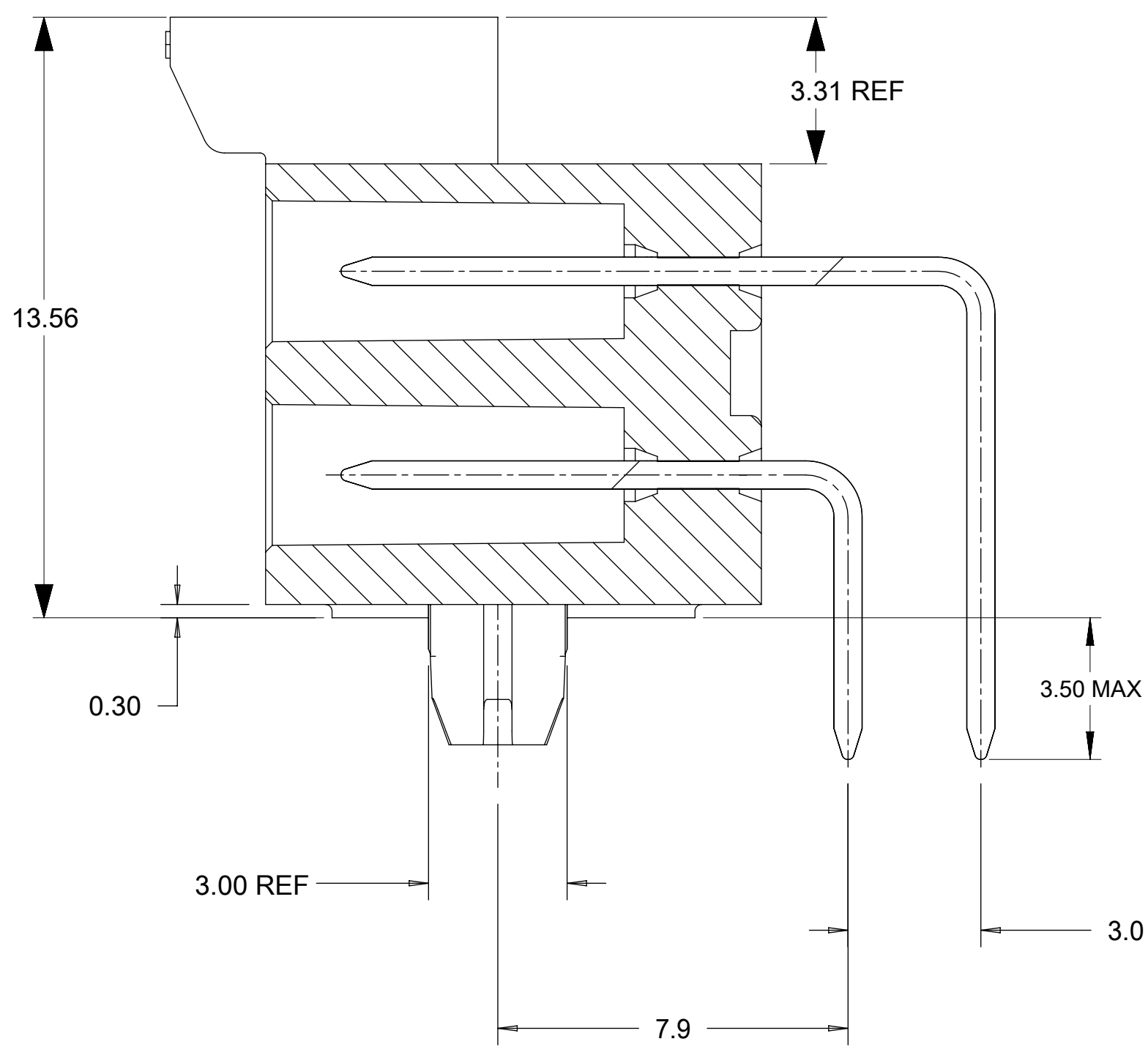
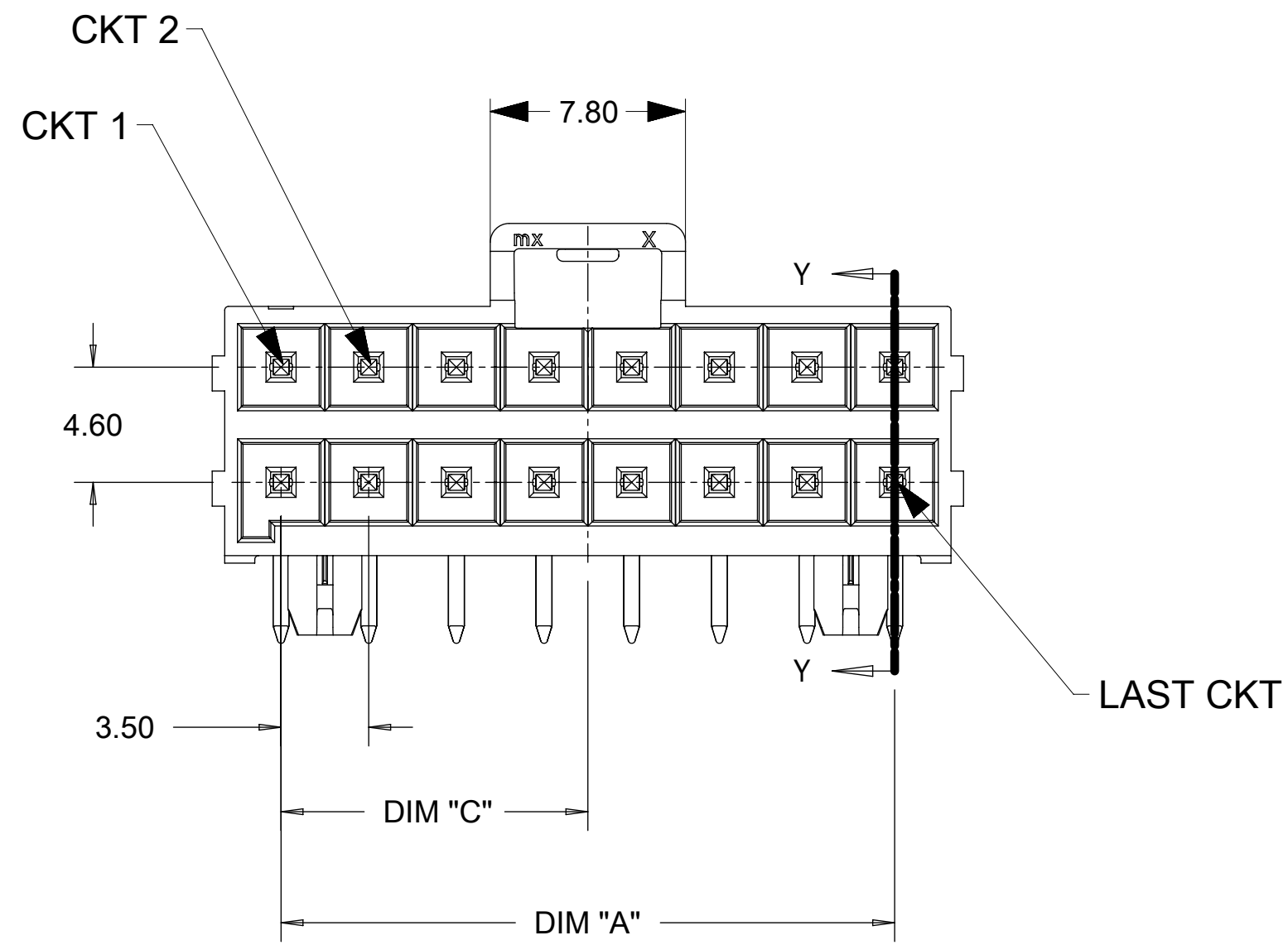
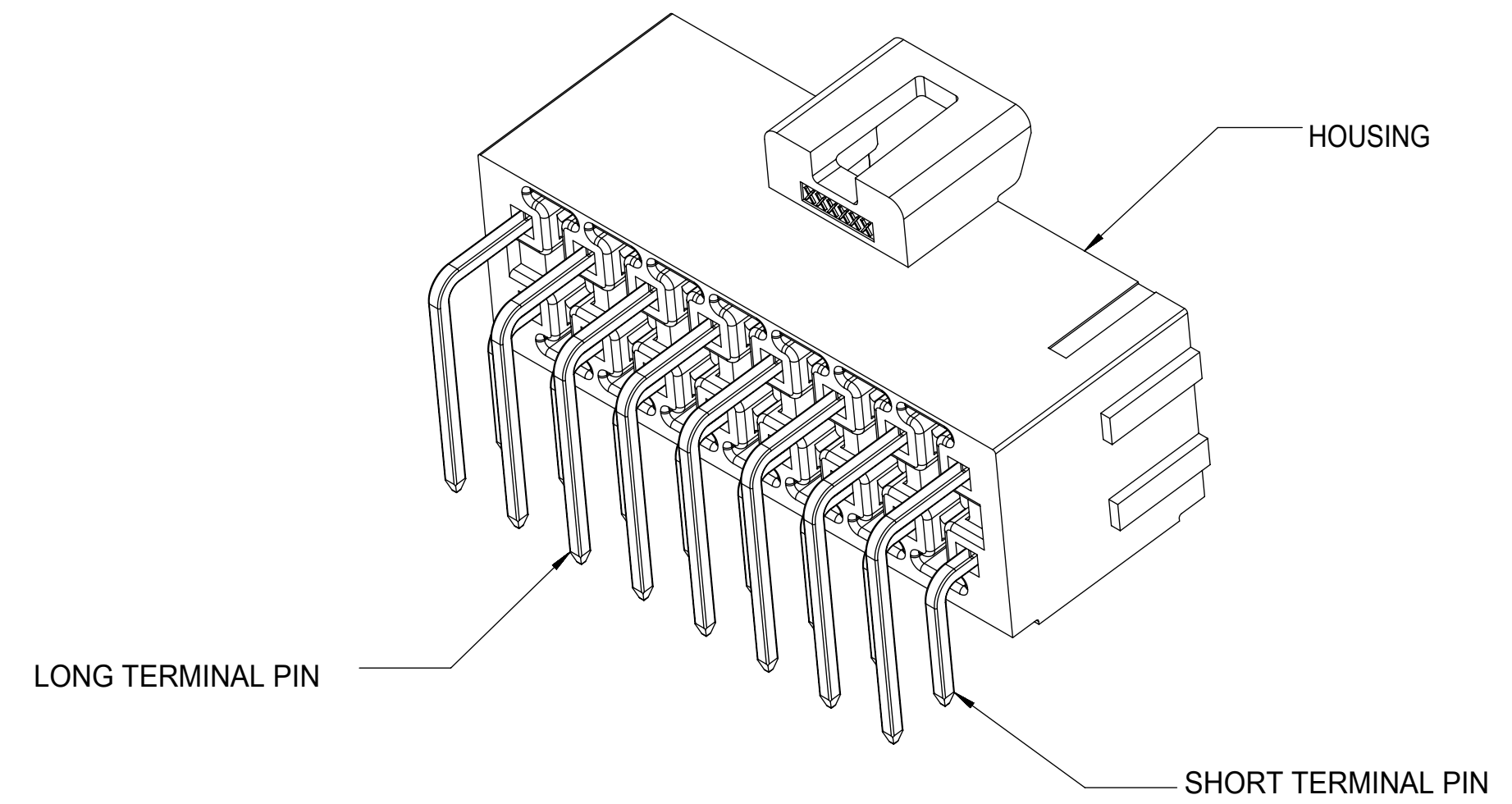
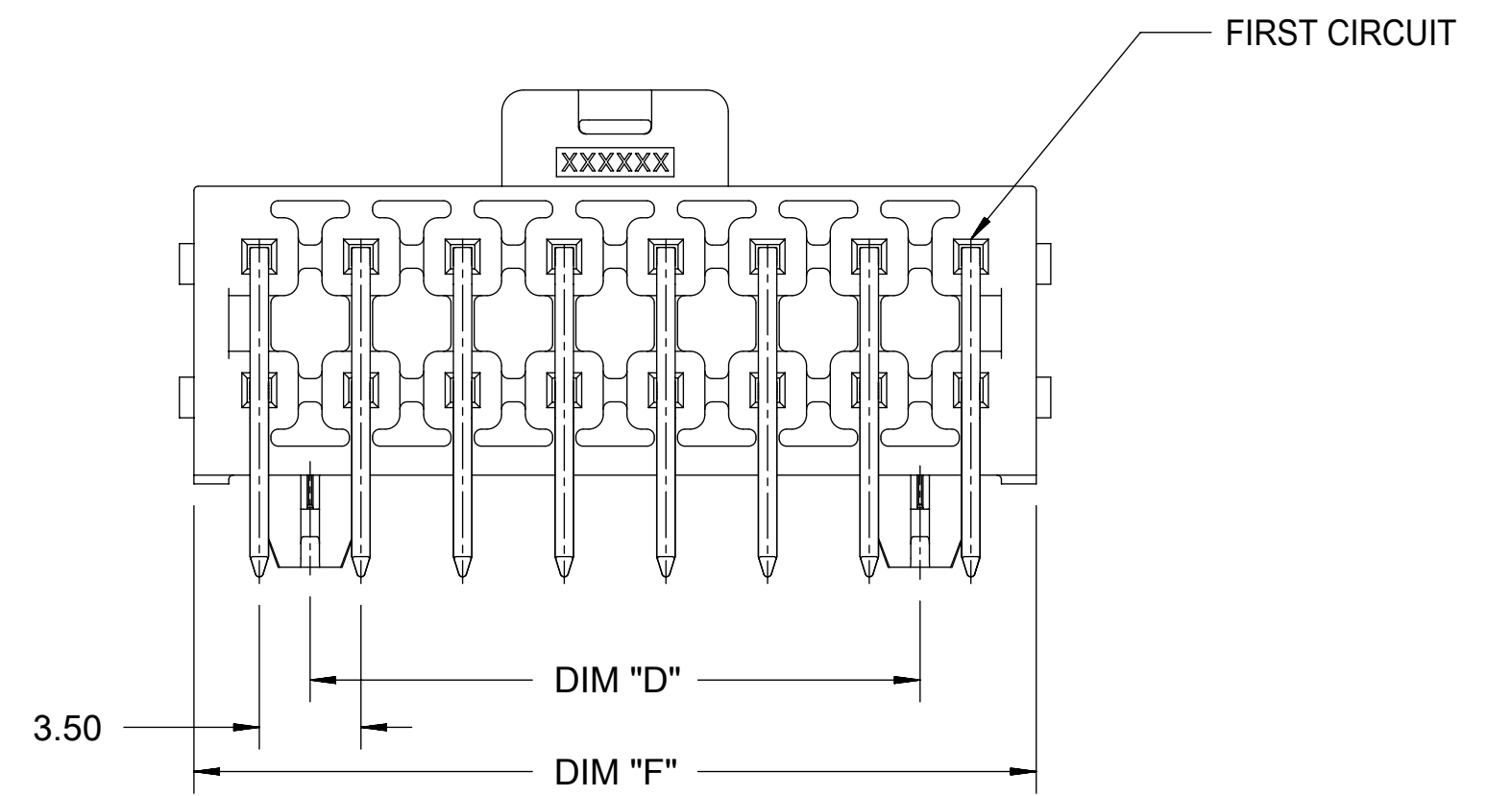


FIRST CIRCUIT MARK  
(NOT SHOWING ON 4  
AND 6 CIRCUITS SERIES)

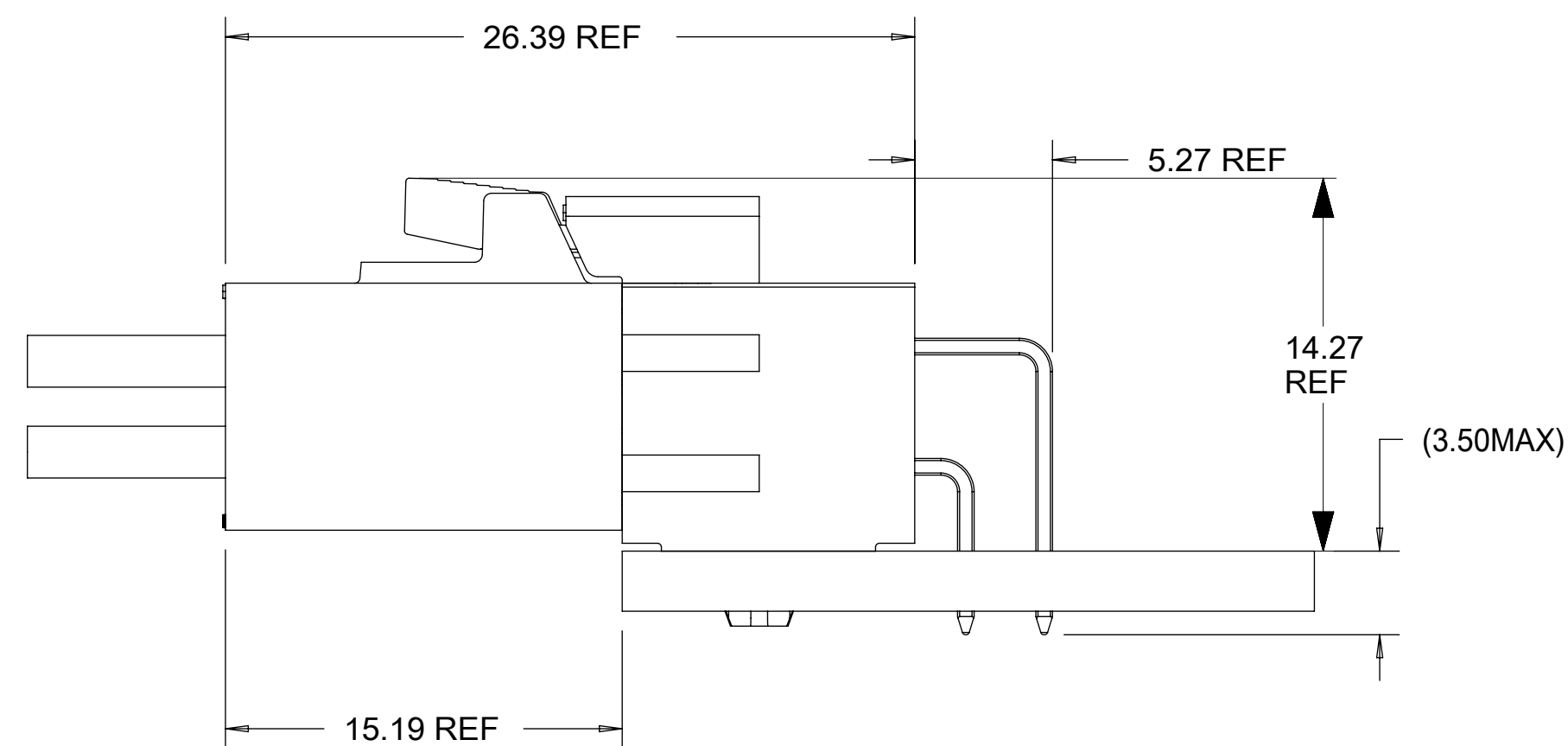


SECTION Y-Y  
SCALE 8:1

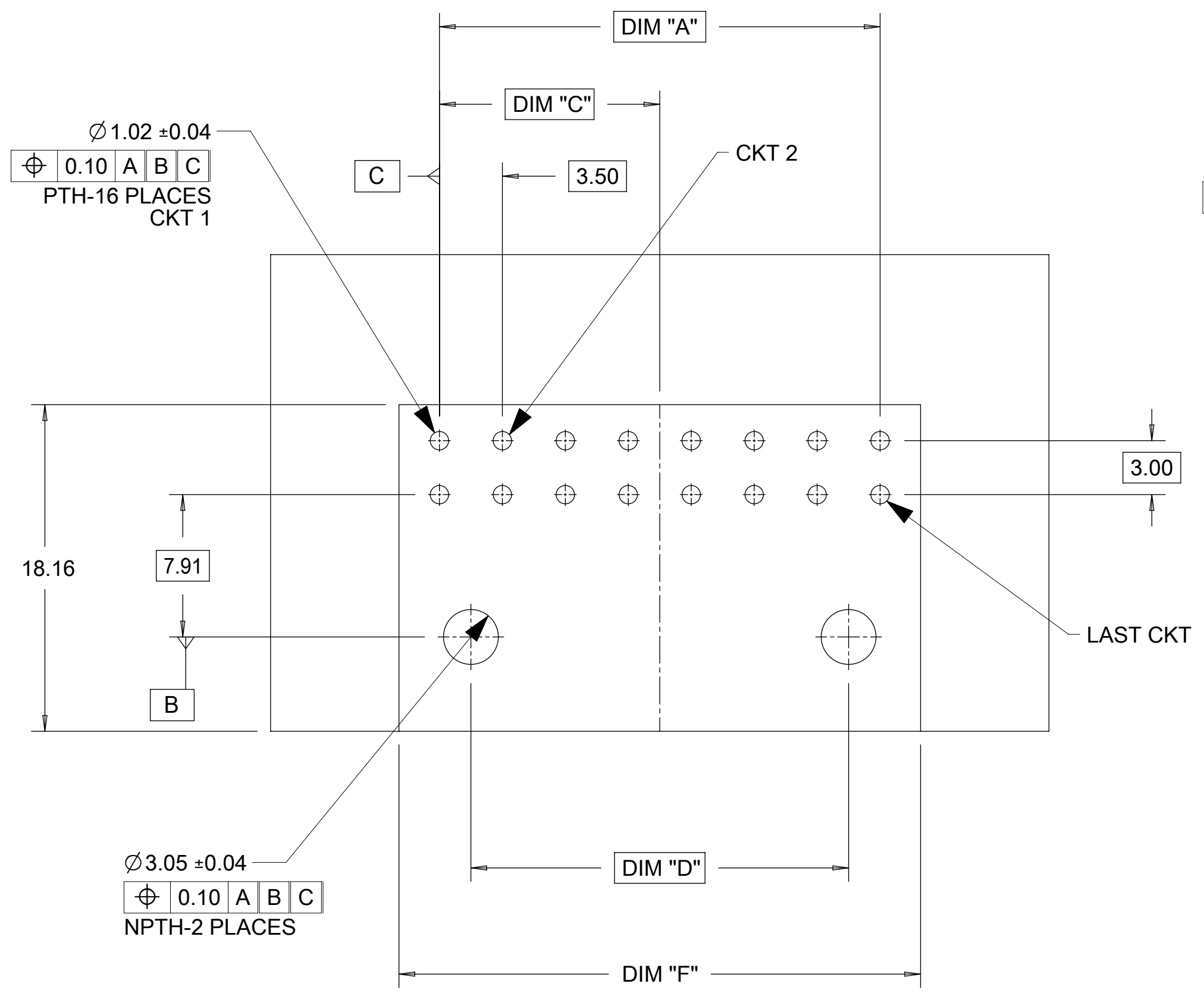


NOTES:

- MATERIAL :  
HOUSING  
OPTION 1: LCP BLACK, UL94 V-0  
OPTION 2: LCP NATURAL, UL94 V-0  
TERMINAL: COPPER ALLOY
- PLATING FINISH:  
OPTION 1 - 1.5µm(60µin)-2.5µm(100µin) TIN OVER  
1.25µm(50µin)-2.5µm(100µin) NICKEL OVERALL  
OPTION 2 - 0.35µm(15µin) GOLD CONTACT AREA,  
1.5µm(60µin)-2.5µm(100µin) TIN TAIL AREA OVER  
1.25µm(50µin)-2.5µm(100µin) NICKEL OVERALL  
OPTION 3 - 0.70µm(30µin) GOLD CONTACT AREA,  
1.5µm(60µin)-2.5µm(100µin) TIN TAIL AREA OVER  
1.25µm(50µin)-2.5µm(100µin) NICKEL OVERALL
- PARTS TO BE PACKAGED PER 1723161114-PK.
- PRODUCT SPECIFICATION PS-172323-0001
- PART MATES WITH MOLEX RECEPTACLE HOUSING  
172258 AND 172262
- PART CONFORMS TO CLASS "C" REQUIREMENTS OF SPECIFICATION  
PS-45499-002 WITH 0.13 MM MAXIMUM FLASH ALLOWED IN CORE  
HOLES AND FRONT SURFACE.
- DISCOLORATION IN THE BANDOLIER AREA OF THE PIN IS  
INHERENT TO THE PLATING PROCESS AND IS DUE TO THE MASKING  
EFFECT OF THE CARRIER. THIS DISCOLORATION IS IN A NON-FUNCTIONAL  
AREA OF THE PIN AND WILL NOT AFFECT THE PERFORMANCE OF THE  
HEADER ASSEMBLY.
- ASSEMBLY SPECIFICATION: AS-172323-0001.

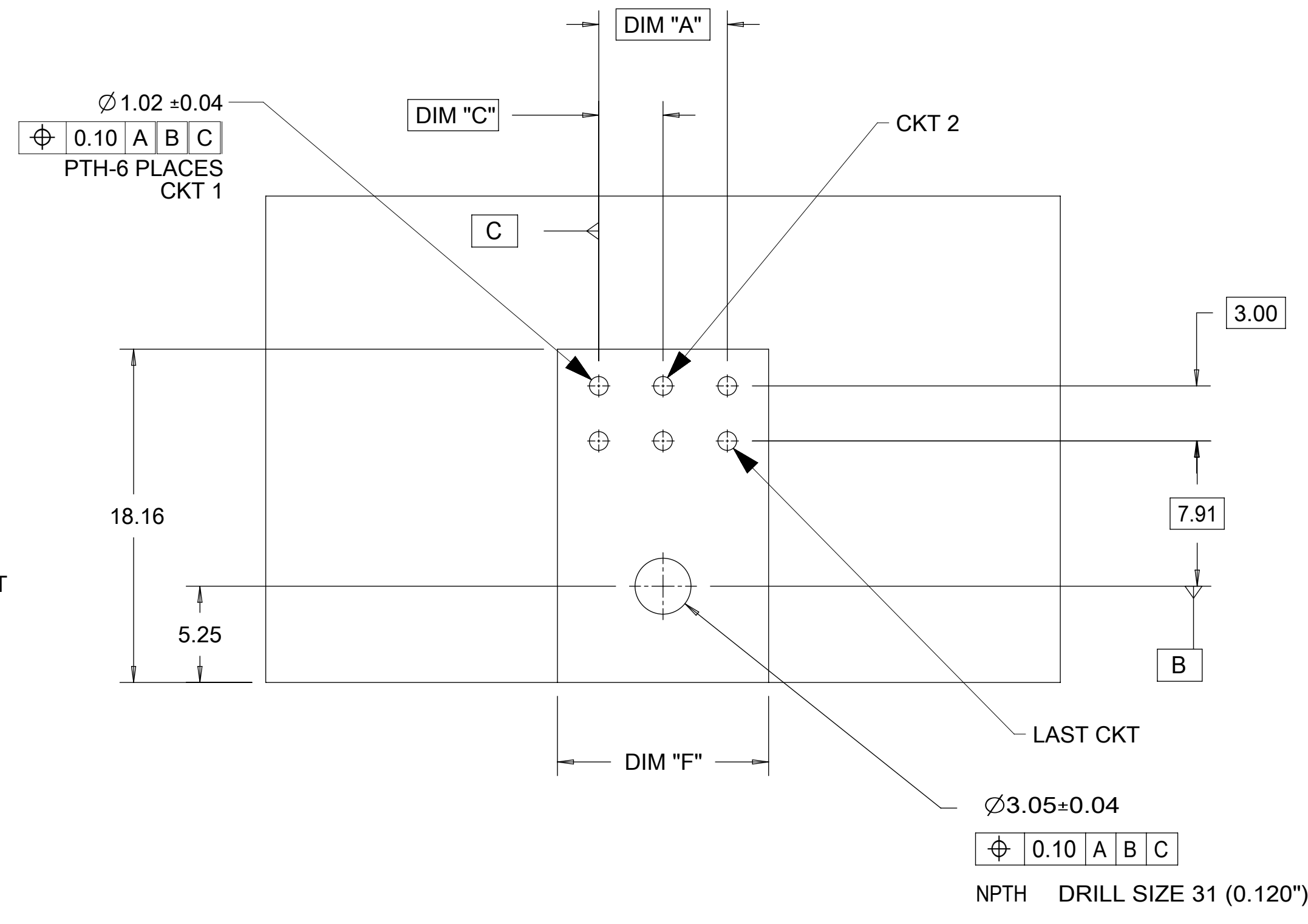


FUNCTIONAL SYMBOLS FA = 0 FC = 0 FD = 0	THIS DRAWING CONTAINS INFORMATION THAT IS PROPRIETARY TO MOLEX ELECTRONIC TECHNOLOGIES, LLC AND SHOULD NOT BE USED WITHOUT WRITTEN PERMISSION		CURRENT REV DESC:		<p>ULTRA-FIT R/A HEADER 4-16 CKTS DUAL ROW</p> <p>PRODUCT CUSTOMER DRAWING</p>
	DIMENSION UNITS	SCALE	EC NO: 694874		
	mm	1:1	DRWN: GLLI	2022/02/08	
	GENERAL TOLERANCES (UNLESS SPECIFIED)		CHK'D: XQZHANG	2022/02/14	
ANGULAR TOL ± °		APPR: XQZHANG	2022/02/14	DOCUMENT NUMBER	
4 PLACES ±		INITIAL REVISION:	DRWN: DROSCA		SD-172316-1000
3 PLACES ±		DRWN: DROSCA	2014/03/06	DOC TYPE DOC PART REVISION	
2 PLACES ± 0.25		APPR: JCOMERCI	2014/04/24	PSD	000
1 PLACE ± 0.5		DRAFT WHERE APPLICABLE MUST REMAIN WITHIN DIMENSIONS		F5	
0 PLACES ±		THIRD ANGLE PROJECTION	DRAWING	SERIES	SHEET NUMBER
DRAFT WHERE APPLICABLE MUST REMAIN WITHIN DIMENSIONS		⊕	D-SIZE	172316	1 OF 3
		MATERIAL NUMBER		CUSTOMER	
		GENERAL MARKET			



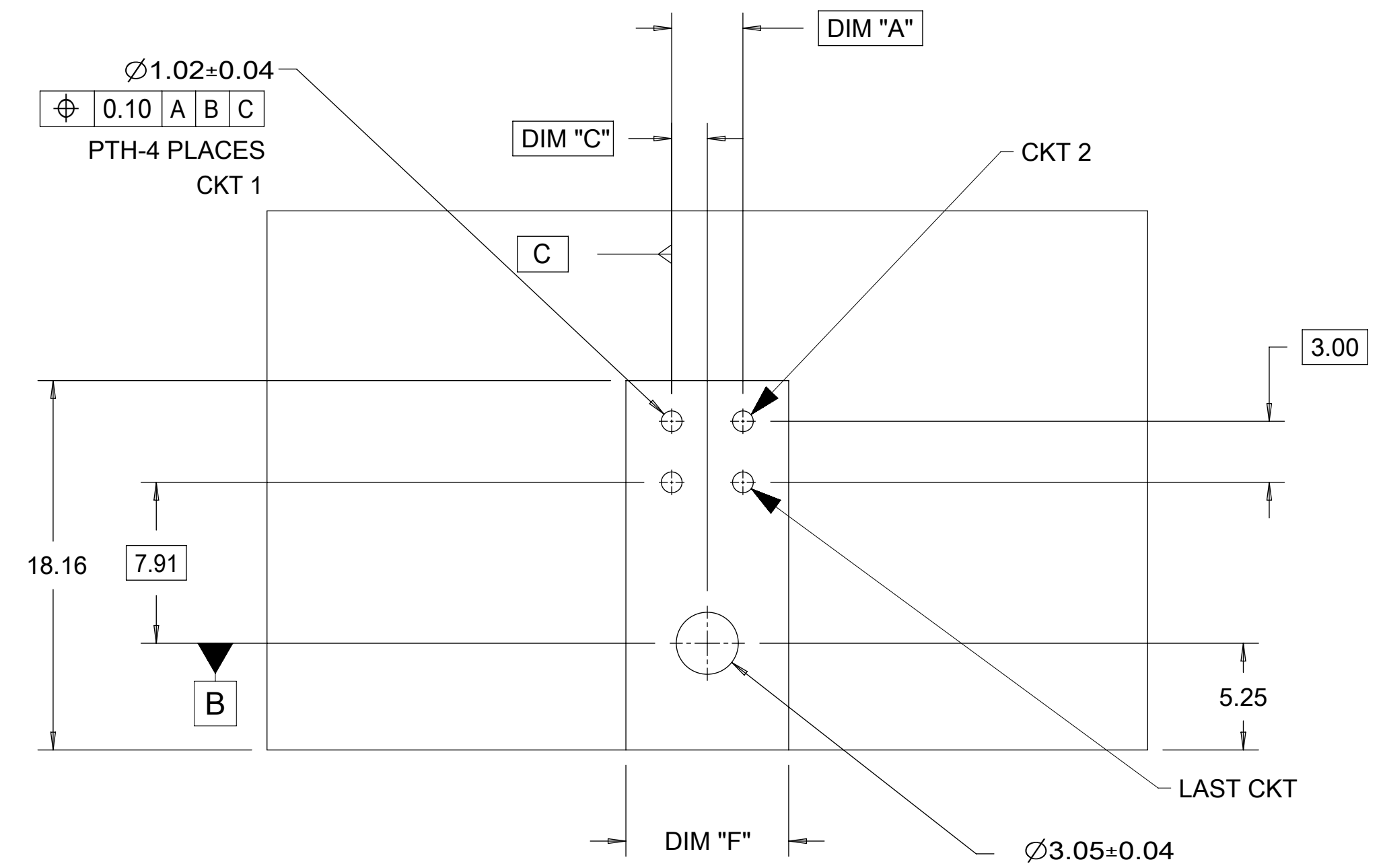
PCB LAYOUT COMPONENT SIDE  
RECOMENDED PCB THICKNESS 1.60MM-2.40MM

Top2



PCB LAYOUT 3 CIRCUIT COMPONENT SIDE  
RECOMENDED PCB THICKNESS 1.60MM-2.40MM

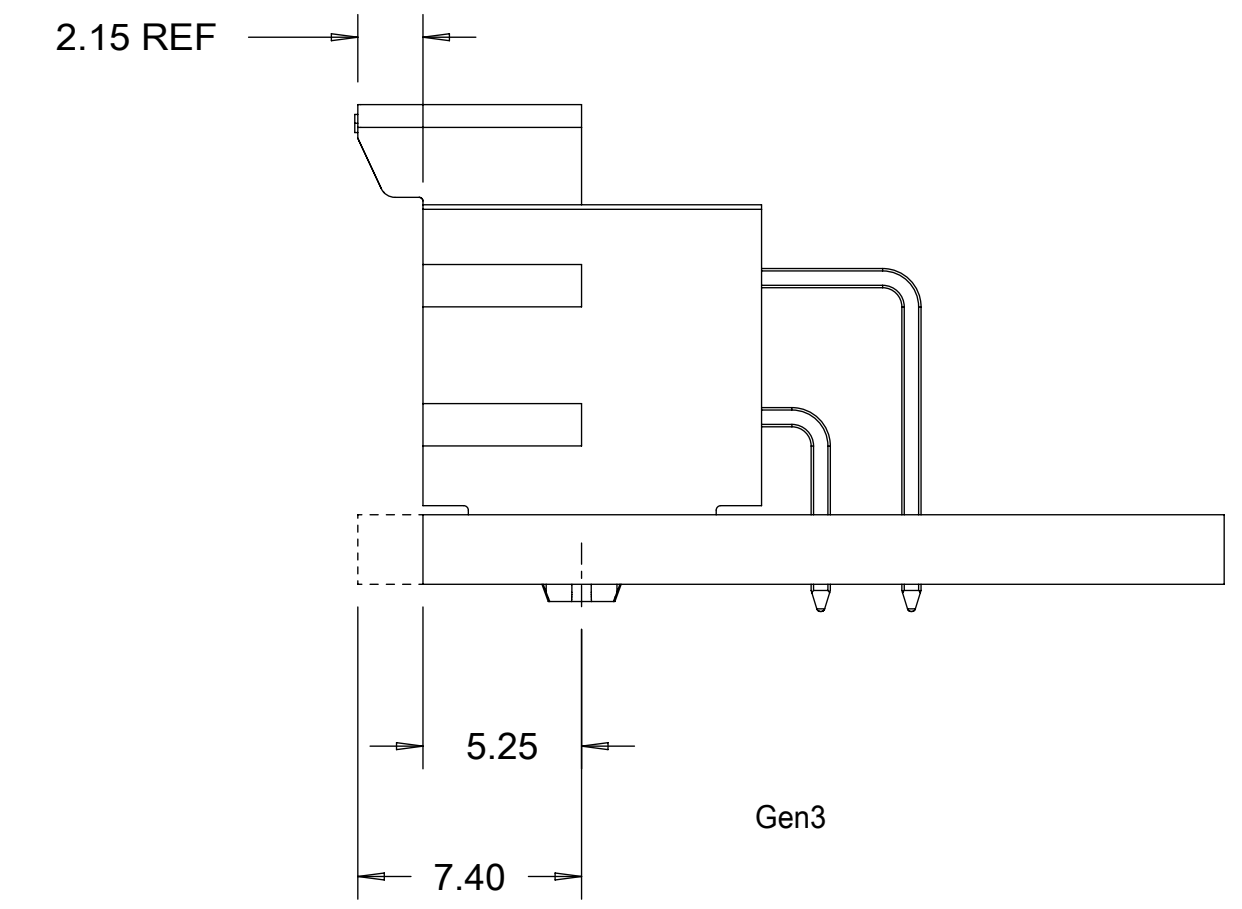
Right1



PCB LAYOUT 2 CIRCUIT COMPONENT SIDE  
RECOMENDED PCB THICKNESS 1.60MM-2.40MM

Right2

NOTE: DATUM -A- IS ON COMPONENT SIDE PCB



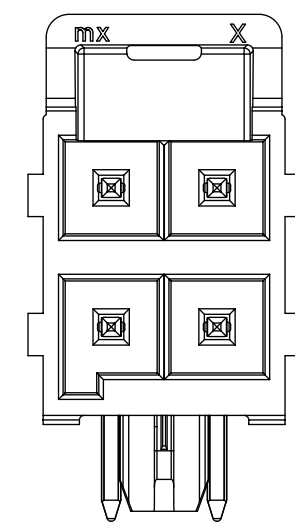
OPTION 1: LATCH FLUSH WITH PCB EDGE  
OPTION 2: HOUSING BODY FLUSH WITH PCB EDGE

TIN PLATING							
PART NO.	COLOR	CIRCUIT SIZE	KEY OPTION	DIM A	DIM F	DIM C	DIM D
172316-1104	BLACK	4	KEY A	3.50	8.00	1.75	0.00
172316-1106	BLACK	6	KEY A	7.00	11.50	3.50	0.00
172316-1108	BLACK	8	KEY A	10.50	15.00	5.25	7.00
172316-1110	BLACK	10	KEY A	14.00	18.50	7.00	10.50
172316-1112	BLACK	12	KEY A	17.50	22.00	8.75	14.00
172316-1114	BLACK	14	KEY A	21.00	25.50	10.50	17.50
172316-1116	BLACK	16	KEY A	24.50	29.00	12.25	21.00
172316-2104	NATURAL	4	KEY B	3.50	8.00	1.75	0.00
172316-2106	NATURAL	6	KEY B	7.00	11.50	3.50	0.00
172316-2108	NATURAL	8	KEY B	10.50	15.00	5.25	7.00
172316-2110	NATURAL	10	KEY B	14.00	18.50	7.00	10.50
172316-2112	NATURAL	12	KEY B	17.50	22.00	8.75	14.00
172316-2114	NATURAL	14	KEY B	21.00	25.50	10.50	17.50
172316-2116	NATURAL	16	KEY B	24.50	29.00	12.25	21.00

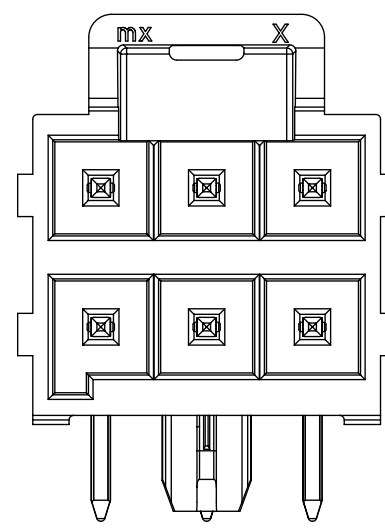
15 MICROINCH GOLD PLATING							
PART NO.	COLOR	CIRCUIT SIZE	KEY OPTION	DIM A	DIM F	DIM C	DIM D
172316-1204	BLACK	4	KEY A	3.50	8.00	1.75	0.00
172316-1206	BLACK	6	KEY A	7.00	11.50	3.50	0.00
172316-1208	BLACK	8	KEY A	10.50	15.00	5.25	7.00
172316-1210	BLACK	10	KEY A	14.00	18.50	7.00	10.50
172316-1212	BLACK	12	KEY A	17.50	22.00	8.75	14.00
172316-1214	BLACK	14	KEY A	21.00	25.50	10.50	17.50
172316-1216	BLACK	16	KEY A	24.50	29.00	12.25	21.00
172316-2204	NATURAL	4	KEY B	3.50	8.00	1.75	0.00
172316-2206	NATURAL	6	KEY B	7.00	11.50	3.50	0.00
172316-2208	NATURAL	8	KEY B	10.50	15.00	5.25	7.00
172316-2210	NATURAL	10	KEY B	14.00	18.50	7.00	10.50
172316-2212	NATURAL	12	KEY B	17.50	22.00	8.75	14.00
172316-2214	NATURAL	14	KEY B	21.00	25.50	10.50	17.50
172316-2216	NATURAL	16	KEY B	24.50	29.00	12.25	21.00

30 MICROINCH GOLD PLATING							
PART NO.	COLOR	CIRCUIT SIZE	KEY OPTION	DIM A	DIM F	DIM C	DIM D
172316-1304	BLACK	4	KEY A	3.50	8.00	1.75	0.00
172316-1306	BLACK	6	KEY A	7.00	11.50	3.50	0.00
172316-1308	BLACK	8	KEY A	10.50	15.00	5.25	7.00
172316-1310	BLACK	10	KEY A	14.00	18.50	7.00	10.50
172316-1312	BLACK	12	KEY A	17.50	22.00	8.75	14.00
172316-1314	BLACK	14	KEY A	21.00	25.50	10.50	17.50
172316-1316	BLACK	16	KEY A	24.50	29.00	12.25	21.00
172316-2304	NATURAL	4	KEY B	3.50	8.00	1.75	0.00
172316-2306	NATURAL	6	KEY B	7.00	11.50	3.50	0.00
172316-2308	NATURAL	8	KEY B	10.50	15.00	5.25	7.00
172316-2310	NATURAL	10	KEY B	14.00	18.50	7.00	10.50
172316-2312	NATURAL	12	KEY B	17.50	22.00	8.75	14.00
172316-2314	NATURAL	14	KEY B	21.00	25.50	10.50	17.50
172316-2316	NATURAL	16	KEY B	24.50	29.00	12.25	21.00

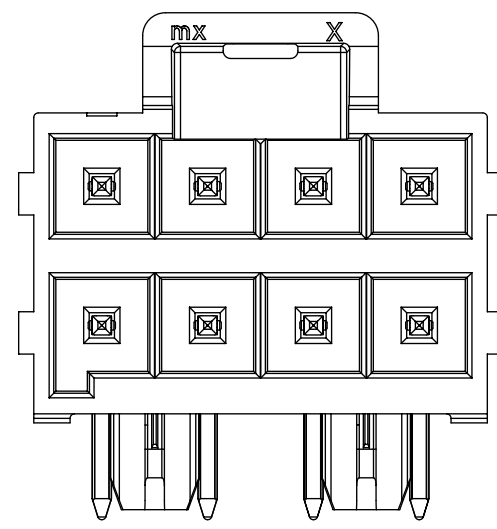
<b>FUNCTIONAL SYMBOLS</b> FA = 0 FC = 0 FP = 0 <b>DIVISIONAL SYMBOLS</b>	THIS DRAWING CONTAINS INFORMATION THAT IS PROPRIETARY TO MOLEX ELECTRONIC TECHNOLOGIES, LLC AND SHOULD NOT BE USED WITHOUT WRITTEN PERMISSION DIMENSION UNITS: <b>mm</b> SCALE: <b>1:1</b>		CURRENT REV DESC: EC NO: 694874 DRWN: GLLI 2022/02/08 CHK'D: XQZHANG 2022/02/14 APPR: XQZHANG 2022/02/14					
	GENERAL TOLERANCES (UNLESS SPECIFIED) ANGULAR TOL ± ° 4 PLACES ± 3 PLACES ± 2 PLACES ± 0.25 1 PLACE ± 0.5 0 PLACES ±		INITIAL REVISION: DRWN: DROSCA 2014/03/06 APPR: JCOMERCI 2014/04/24				PRODUCT CUSTOMER DRAWING DOCUMENT NUMBER: <b>SD-172316-1000</b> DOC TYPE: PSD DOC PART: 000 REVISION: <b>F5</b>	
	DRAFT WHERE APPLICABLE MUST REMAIN WITHIN DIMENSIONS		THIRD ANGLE PROJECTION 		DRAWING: <b>D-SIZE</b> SERIES: <b>172316</b>		MATERIAL NUMBER: <b>GENERAL MARKET</b> CUSTOMER: SHEET NUMBER: <b>2 OF 3</b>	



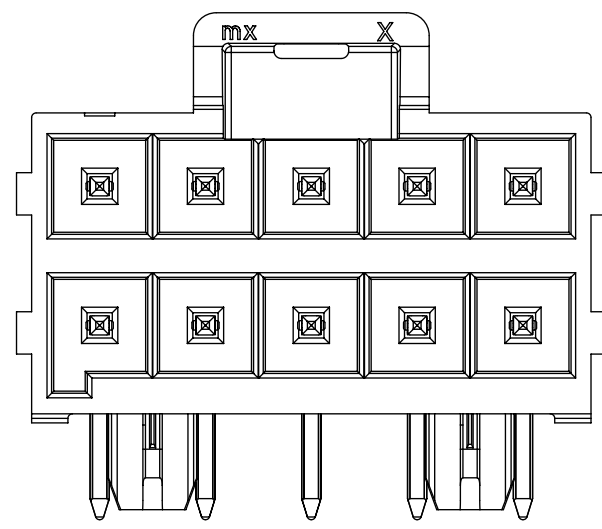
4 CKT



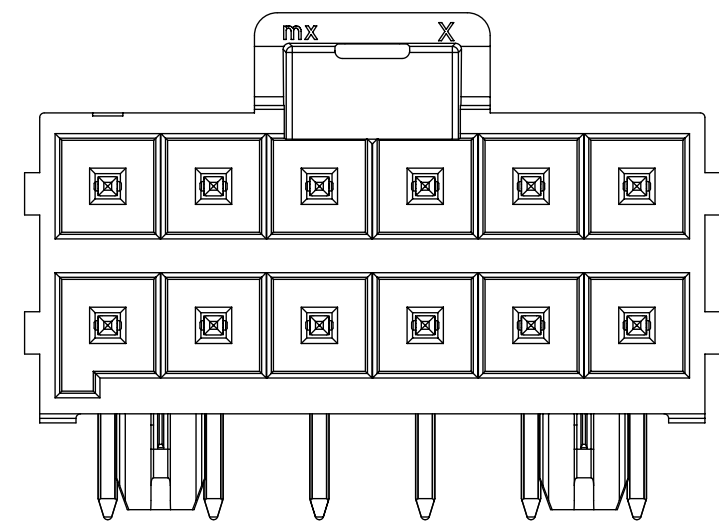
6 CKT



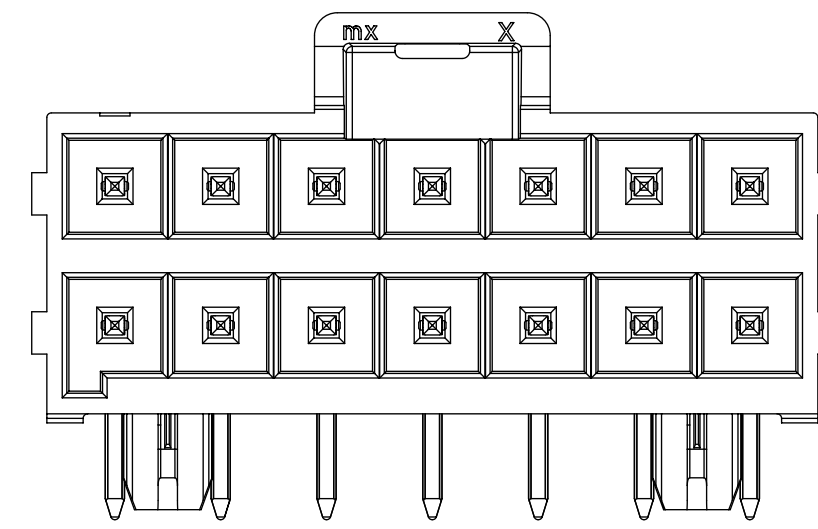
8 CKT



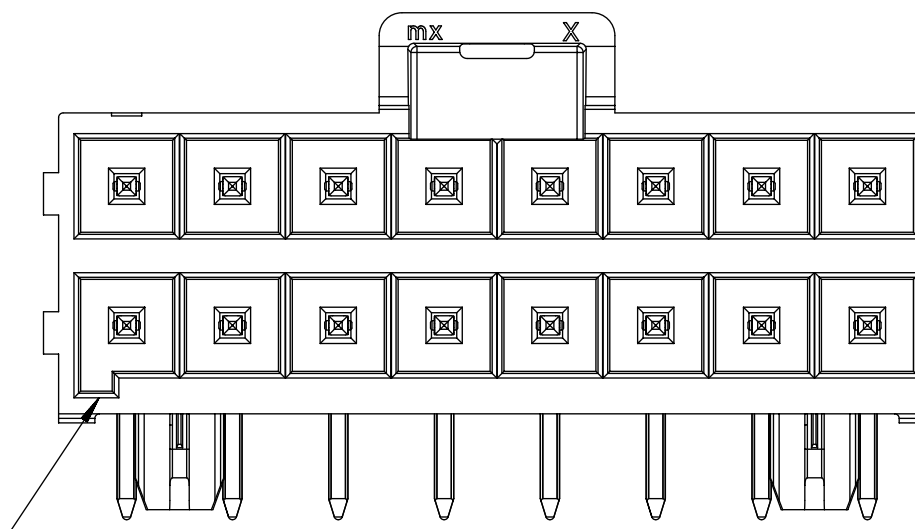
10 CKT



12 CKT

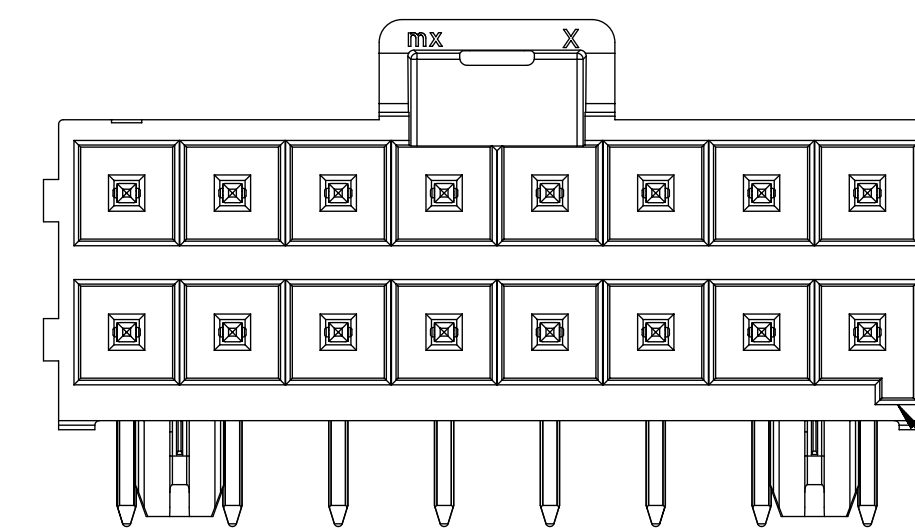


14 CKT



16 CKT

KEY A  
(BLACK)



KEY B  
(NATURAL)

FUNCTIONAL SYMBOLS FA = 0 FC = 0 FD = 0	THIS DRAWING CONTAINS INFORMATION THAT IS PROPRIETARY TO MOLEX ELECTRONIC TECHNOLOGIES, LLC AND SHOULD NOT BE USED WITHOUT WRITTEN PERMISSION		CURRENT REV DESC:					
	DIMENSION UNITS <b>mm</b>	SCALE <b>1:1</b>						
DIVISIONAL SYMBOLS	GENERAL TOLERANCES (UNLESS SPECIFIED)		INITIAL REVISION:		PRODUCT CUSTOMER DRAWING			
	ANGULAR TOL ± °		DRWN: DROSCA 2014/03/06		DOCUMENT NUMBER	DOC TYPE	DOC PART	REVISION
	4 PLACES ±	APPR: JCOMERCI 2014/04/24		SD-172316-1000		PSD	000	F5
	3 PLACES ±	DRAFT WHERE APPLICABLE MUST REMAIN WITHIN DIMENSIONS		SERIES		CUSTOMER		SHEET NUMBER
			THIRD ANGLE PROJECTION	DRAWING	MATERIAL NUMBER		GENERAL MARKET	
				<b>D-SIZE</b>	172316		3 OF 3	