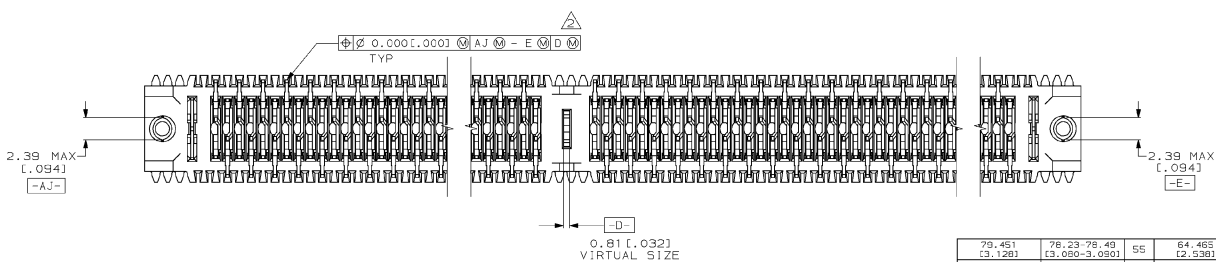
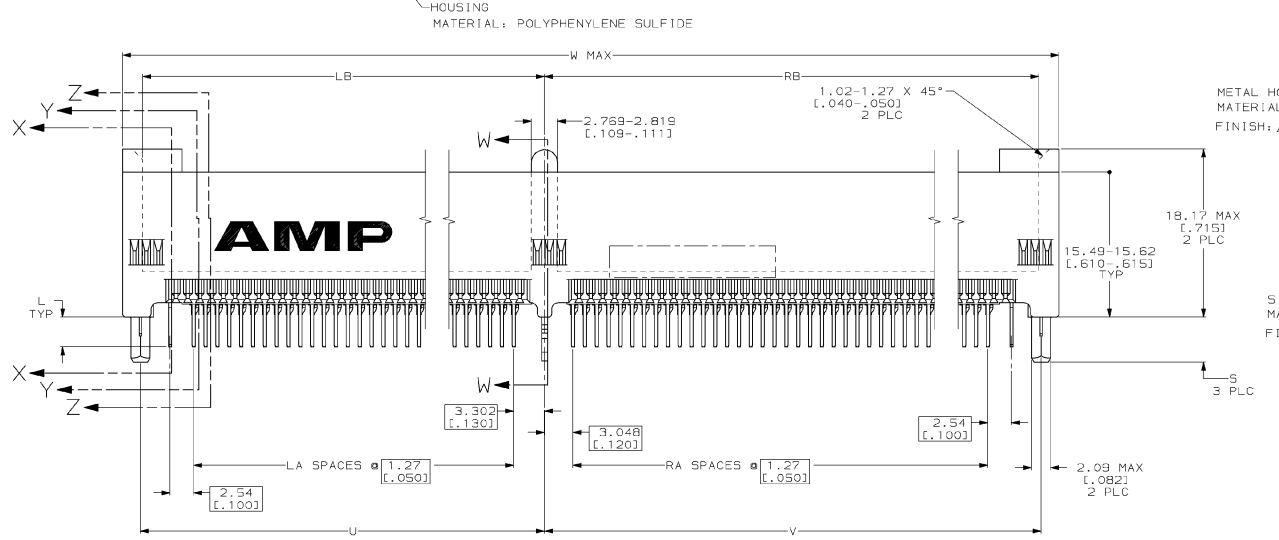
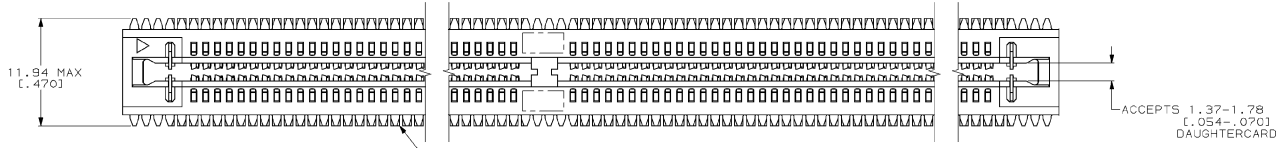


REVISES		REVISIONS		DATE	APP'D
0	PRODUCT RELEASE	3/21/86	RB		
A	REVISED PER 0430-0364-97	4/24/87	RB		



79.451 (3.128)	78.23-78.40 (3.080-3.080)	55	64.465 (2.538)	63.25-63.50 (2.490-2.500)	43	146.46 (5.766)	78.64-78.65 (3.092-3.095)	63.55-63.70 (2.502-2.508)	63.627 (2.505)	4.70-4.95 (.185-.195)	2.92-3.43 (.115-.135)	100	145244-1
RC	RB	RA	LC	LB	LA	W	V	U	T	S	L	NO. OF DIM POSN	PART NUMBER



THIS DRAWING IS A CONTROLLED DOCUMENT FOR AMP INCORPORATED. IT IS SUBJECT TO CHANGE AND THE CONTROLLING ENGINEERING ORGANIZATION SHOULD BE CONTACTED FOR THE LATEST REVISION.

DO NOT SCALE PRINT. UNLESS SPECIFIED DIMENSIONS IN mm (INCHES) TOLERANCES ON ± 13 PLC DEC ± .13 (.005) 3 PLC DEC ± . ANGLE 4 3° MATERIAL - PRODUCT SPEC APPLICATION SPEC - WEIGHT -

DR 3/21/86
 3 BROWN
 R BENDORF
 APPD 3/21/86
 R BENDORF
 APPD 3/21/86
 D SARVER
 PRODUCT SPEC

FINISH -

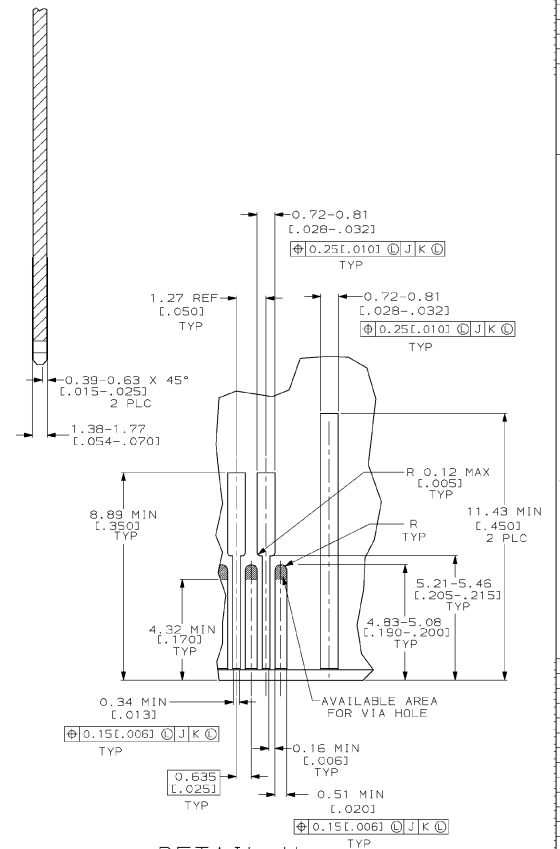
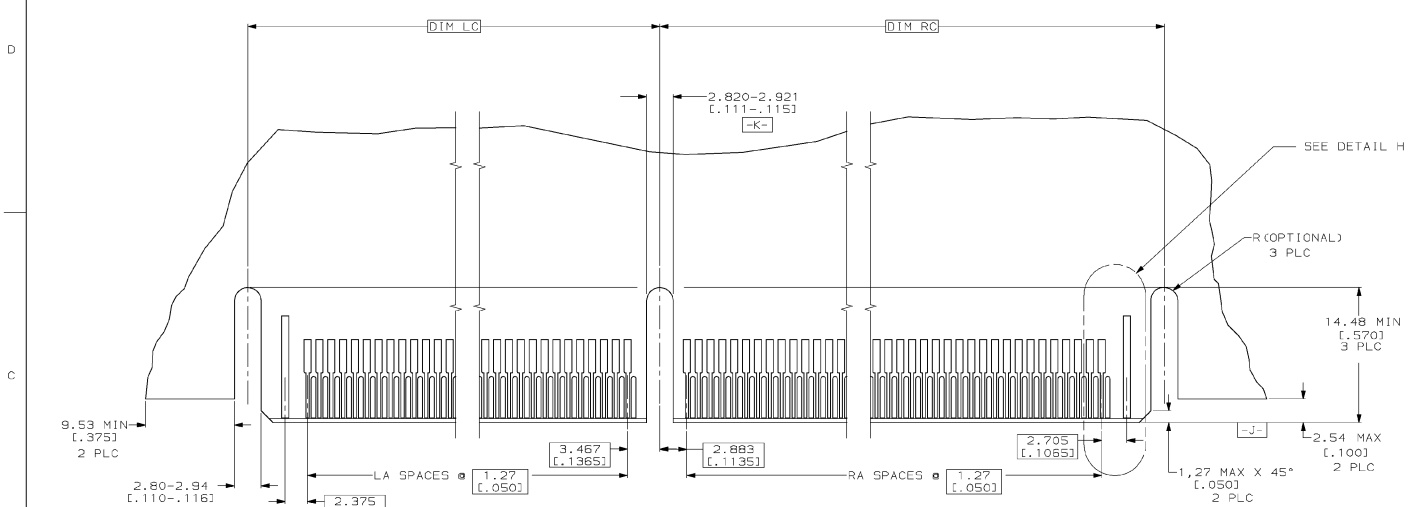
AMP AMP Incorporated
 Harrisburg, PA 17105-3606

NAME
**CONNECTOR ASSEMBLY,
 DUAL POSN, HIGH SPEED,
 STANDARD EDGE**

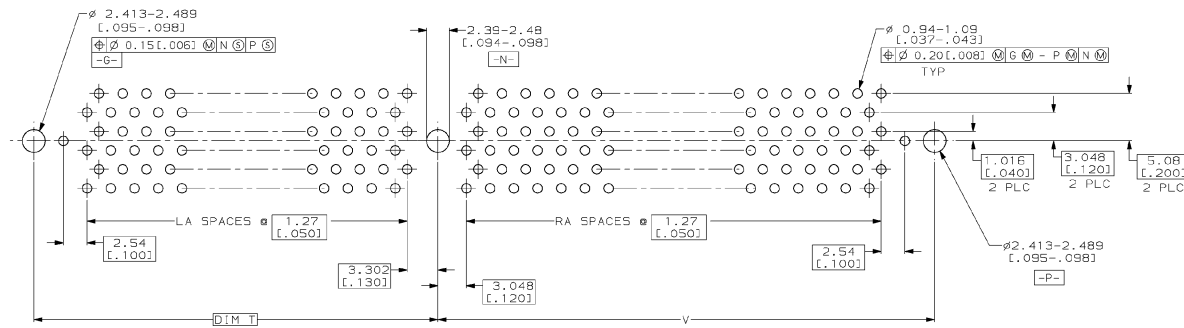
SIZE **D** CARE CODE
 00779 DRAWING NO
 C-145244

SCALE 4:1 SHEET 1 OF 2

REVISIONS					
REV	DATE	BY	ZONE	DESCRIPTION	APPD
AD	14	r	A	SEE SHEET 1	-



RECOMMENDED MATING BOARD EDGE CONFIGURATION



RECOMMENDED MOUNTING HOLE PATTERN (CONNECTOR SIDE SHOWN)



DETAIL H SCALE 10:1



THIS DRAWING IS A CONTROLLED DOCUMENT FOR AMP INCORPORATED. IT IS SUBJECT TO CHANGE AND THE CONTROLLING ENGINEERING ORGANIZATION SHOULD BE CONTACTED FOR THE LATEST REVISION.

DO NOT SCALE PRINT. UNLESS SPECIFIED DIMENSIONS IN mm (INCHES) TOLERANCES ON ± 12 PLC DEC # ±.13 (L.005) 3 PLC DEC # ±.05 ANGLES 45°		DR 3/21/96 3 BROWN	CHK 3/21/96 R BENDORF	APPD 3/21/96 R BENDORF	PRODUCT SPEC	FINISH -	APPLICATION SPEC -	WEIGHT -
PART NO		AMP Incorporated Harrisburg, PA 17105-3606		NAME		CONNECTOR ASSEMBLY, DUAL POSN, HIGH SPEED, STANDARD EDGE		SCALE 4:1
SIZE		CARE CODE		DRAWING NO		SHEET		2 OF 2
D 00779		C-145244		D		E		CUSTOMER DRAWING