

## Protective covers - VS-PPC-C2-PC67-MNNA - 1404045


Please be informed that the data shown in this PDF Document is generated from our Online Catalog. Please find the complete data in the user's documentation. Our General Terms of Use for Downloads are valid (<http://download.phoenixcontact.com>)



Protective cover, IP67, metal version, to cover the contact insert in the Power push-pull panel mounting frame



### Key commercial data

|                      |  |
|----------------------|--|
| Packing unit         | 1 PCE  |
| GTIN                 | <br>4 046356 285438 |
| Custom tariff number | 85389099   |
| Country of origin    | GERMANY  |

### Technical data

#### Mechanical characteristics

|                                 |                  |
|---------------------------------|------------------|
| Locking type                    | Push Pull        |
| Insertion/withdrawal cycles     | ≥ 500            |
| Color                           | silver           |
| Ambient temperature (operation) | -40 °C ... 70 °C |

#### Ambient conditions

|                                 |                  |
|---------------------------------|------------------|
| Ambient temperature (operation) | -40 °C ... 70 °C |
| Degree of protection            | IP65/67          |

#### Material data

|   |               |
|---|---------------|
| Inflammability class according to UL 94 | V0            |
| Housing material                        | Zinc die-cast |
| Housing surface material                | Nickel-plated |
| Material                                | Metal         |
| Material, O-ring                        | NBR           |

## Protective covers - VS-PPC-C2-PC67-MNNA - 1404045

### Technical data

#### Material data

|                                    |     |
|------------------------------------|-----|
| Material housing intermediate seal | NBR |
|------------------------------------|-----|

### Classifications

#### ETIM

|          |          |
|----------|----------|
| ETIM 3.0 | EC002314 |
| ETIM 4.0 | EC002314 |
| ETIM 5.0 | EC002314 |

#### UNSPSC

|               |          |
|---------------|----------|
| UNSPSC 11     | 31261501 |
| UNSPSC 12.01  | 31261501 |
| UNSPSC 13.2   | 31261501 |
| UNSPSC 6.01   | 31261501 |
| UNSPSC 7.0901 | 31261501 |

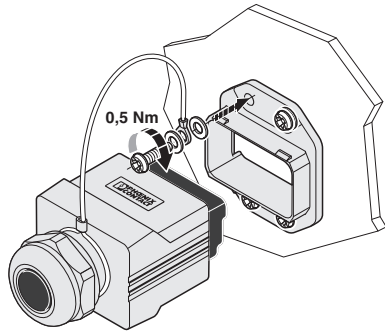
#### eCl@ss

|            |          |
|------------|----------|
| eCl@ss 4.0 | 272607xx |
| eCl@ss 4.1 | 27260701 |
| eCl@ss 5.0 | 27260701 |
| eCl@ss 5.1 | 27260701 |
| eCl@ss 6.0 | 27261210 |
| eCl@ss 7.0 | 27440208 |
| eCl@ss 8.0 | 27440208 |

### Drawings

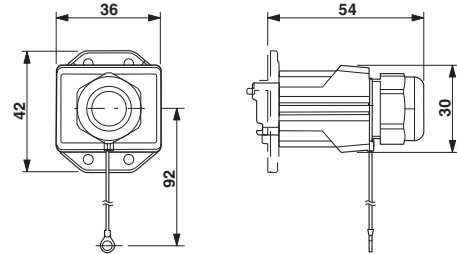
## Protective covers - VS-PPC-C2-PC67-MNNA - 1404045

Explosion drawing



Mounting the protective cover

Dimensioned drawing



Protective cover for the Push-Pull panel mounting frame