

PART NUMBER LEGEND

WW5030K03M100

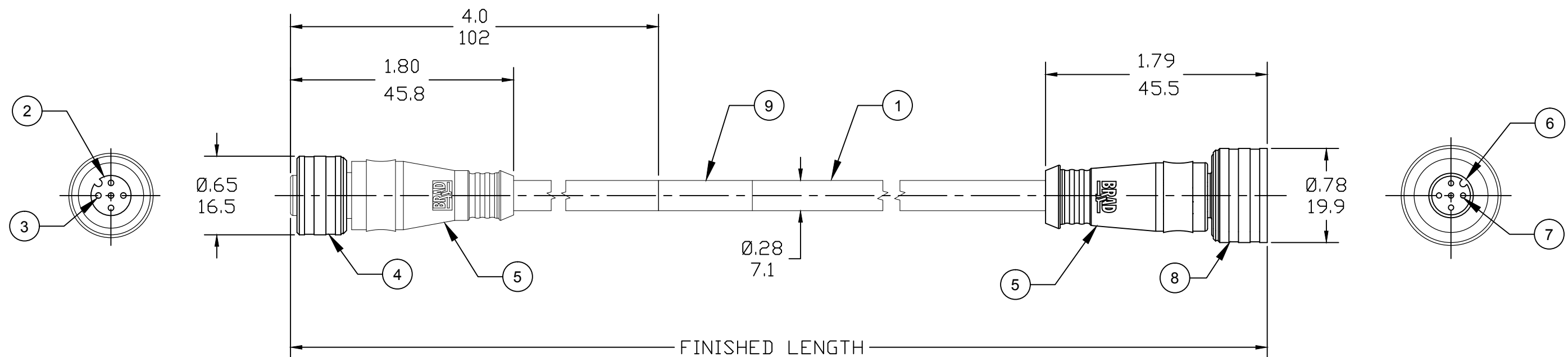
POLES →

WIRE TYPE →
18 AWG TPE

FINISHED LENGTH:
M005= 0.5 METER
M010= 1 METER
M100= 10 METER

CABLE LENGTH TOLERANCES

>.3M [1FT]:	+19mm-0 [+ .75in-0]
.3 - .9M [1 - 3FT]:	+44.5mm-0 [+1.75in-0]
.9 - 1.8M [3 - 6FT]:	+55.6mm-0 [+2.19in-0]
1.8 - 3.7M [6 - 12FT]:	+88.9mm-0 [+3.50in-0]
3.7 - 7.3M [12 - 24FT]:	+165.1mm-0 [+6.50in-0]
7.3-14.6M [24 - 48FT]:	+317.5mm-0 [+12.50in-0]
14.6 - 30.5M [48-100FT]:	+622.3mm-0 [+24.50in-0]
OVER 30M [100FT]	+2% OF FINISHED LENGTH



- NOTES:**
1. MATERIAL: AS NOTED
 2. FINISH: AS NOTED
 3. ELECTRICAL:
VOLTAGE: 250V
CURRENT: 4A
 4. TEMP RATING: -20° TO +105°C
 5. PROTECTION: IP67 (WHEN MATED)
 6. COUPLING TYPE: ULTRA-LOCK
 7. O-RING SEAL MATERIAL: EPDM
 8. CSA RECOGNIZED PER FILE: LR6837
 9. ALL DIMS ARE FOR REFERENCE UNLESS NOTED OTHERWISE

PART NO.	ENGINEERING NO.	FINISHED LENGTH
1200800493	WW5030K03M100	10.0M [32FT,10in]

ITEM	DESCRIPTION	MATERIAL	FINISH
9	WRAP LABEL	THERMOPLASTIC	BLACK/YELLOW
8	COUPLING SLEEVE, MALE	BRASS	NICKEL
7	CONTACT PIN	COPPER ALLOY	GOLD PLATED
6	MALE INSERT	PUR	BLACK
5	OVERMOLDS	TPE	YELLOW
4	COUPLING SLEEVE, FEMALE	BRASS	NICKEL
3	CONTACT SOCKET	COPPER ALLOY	GOLD PLATED
2	FEMALE INSERT	PUR	BLACK
1	CABLE, 18 AWG	TPE JACKET	YELLOW

RELEASE EC NO: IPG2020-0011 DRWN: JCAPPOZZ 2019/08/13 CHKD: RSTONE 2019-8/13 APPR: BWOODMAN 2019/08/15	DESCRIPTION REV	QUALITY SYMBOLS 	GENERAL TOLERANCES (UNLESS SPECIFIED) <table border="1"> <tr> <td></td> <td>mm</td> <td>INCH</td> </tr> <tr> <td>4 PLACES</td> <td>±---</td> <td>±---</td> </tr> <tr> <td>3 PLACES</td> <td>±---</td> <td>±---</td> </tr> <tr> <td>2 PLACES</td> <td>±0.05</td> <td>±---</td> </tr> <tr> <td>1 PLACE</td> <td>±0.10</td> <td>±---</td> </tr> </table>		mm	INCH	4 PLACES	±---	±---	3 PLACES	±---	±---	2 PLACES	±0.05	±---	1 PLACE	±0.10	±---	DIMENSION STYLE IN/MM	DRAWN BY: JCAPPOZZ DATE: 2019/08/13 CHECKED BY: RSTONE DATE: 2019/08/13 APPROVED BY: BWOODMAN DATE: 2019/08/15	SCALE: NTS DESIGN UNITS: INCH THIRD ANGLE PROJECTION	TITLE: ULTRA-LOCK CORD ASSY 5P FEMALE/MALE, SNGL KEY
			mm	INCH																		
		4 PLACES	±---	±---																		
		3 PLACES	±---	±---																		
2 PLACES	±0.05	±---																				
1 PLACE	±0.10	±---																				
DRAFT WHERE APPLICABLE MUST REMAIN WITHIN DIMENSIONS			MATERIAL NO. SEE P/N CHART	DOCUMENT NO. SD-120080-092	SHEET NO. 1 OF 1																	
THIS DRAWING CONTAINS INFORMATION THAT IS PROPRIETARY TO MOLEX INCORPORATED AND SHOULD NOT BE USED WITHOUT WRITTEN PERMISSION																						

F

E

D

C

B

A

F

E

D

C

B

A

10

9

8

7

6

5

4

3

2

1

10

9

8

7

6

5

4

3

2

1