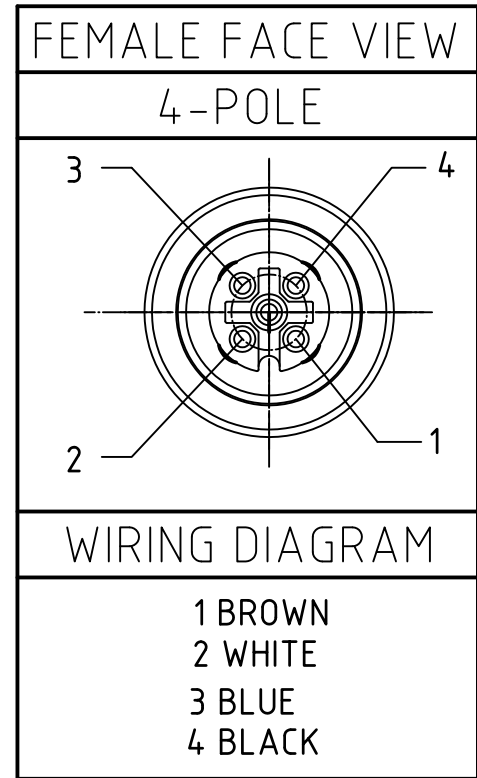


POL	MATERIAL NUMBER	ENGINEERING NUMBER	FINISHED LENGTH
4	1200790164	W04000A09M020	6.56' +3.5" -0 [2.0M +89 -0]

CONNECTOR SPECIFICATION:

VOLTAGE RATING	250 VAC/VDC
AMPERAGE RATING	max. 4 AMPS
PROTECTION	IP67/68/69K
OPERATING TEMPERATURE	-20°C TO 105°C
UL CERTIFICATIONS	UL RECOGNIZED, FILE NO. E152210
ASSEMBLY IS	RoHS COMPLIANT



ITEM	COMPONENT	MATERIAL	FINISH
7	LABLE	MYLAR	BLACK/YELLOW
6	O-RING	VITON	GREEN
5	COUPLER	BRASS	NICKEL PLATED
4	CONTACT SOCKET	COPPER ALLOY	GOLD OVER NICKEL
3	INSERT	NYLON	BLACK
2	OVERMOLD	TPE (PUR)	YELLOW
1	CABLE- 22/4 AWG (COPPER STRANDING) 4 CONDUCT. 300V	JACKET: PVC	JACKET: YELLOW

DESCRIPTION EC NO: WEU2010-0350 DRWN: LSTEMMLE 2010/02/10 CHKD: NS APPR: FPACHER 2010/02/15	QUALITY SYMBOLS ▽ = 0 ∇ = 0	GENERAL TOLERANCES (UNLESS SPECIFIED)		DIMENSION STYLE IN/MM	SCALE 2:1	DESIGN UNITS METRIC	THIRD ANGLE PROJECTION
		mm	INCH	DRAWN BY LSTEMMLE	DATE 2010/02/10	MICRO-CHANGE ULTRA LOCK 4-POLE FEMALE STRAIGHT #22/3 YELLOW PVC CABLE	
1	REV	4 PLACES ±---	±---	CHECKED BY FP	DATE 2010/02/10	MOLEX INCORPORATED	
		3 PLACES ±---	±---	APPROVED BY FPACHER	DATE 2010/02/15	DOCUMENT NO. SD-120079-026	SHEET NO. 1 OF 1
DRAFT WHERE APPLICABLE MUST REMAIN WITHIN DIMENSIONS		ANGULAR ± --- °		SEE TABLE		THIS DRAWING CONTAINS INFORMATION THAT IS PROPRIETARY TO MOLEX INCORPORATED AND SHOULD NOT BE USED WITHOUT WRITTEN PERMISSION	