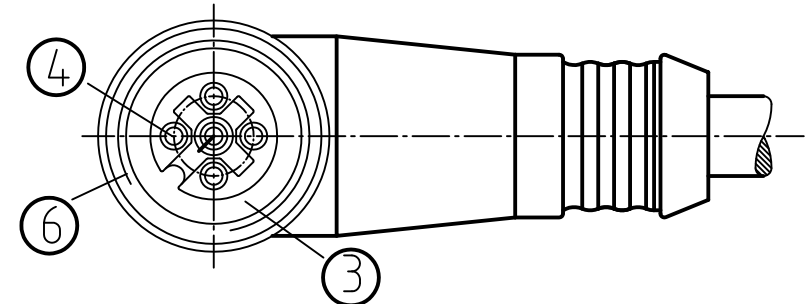
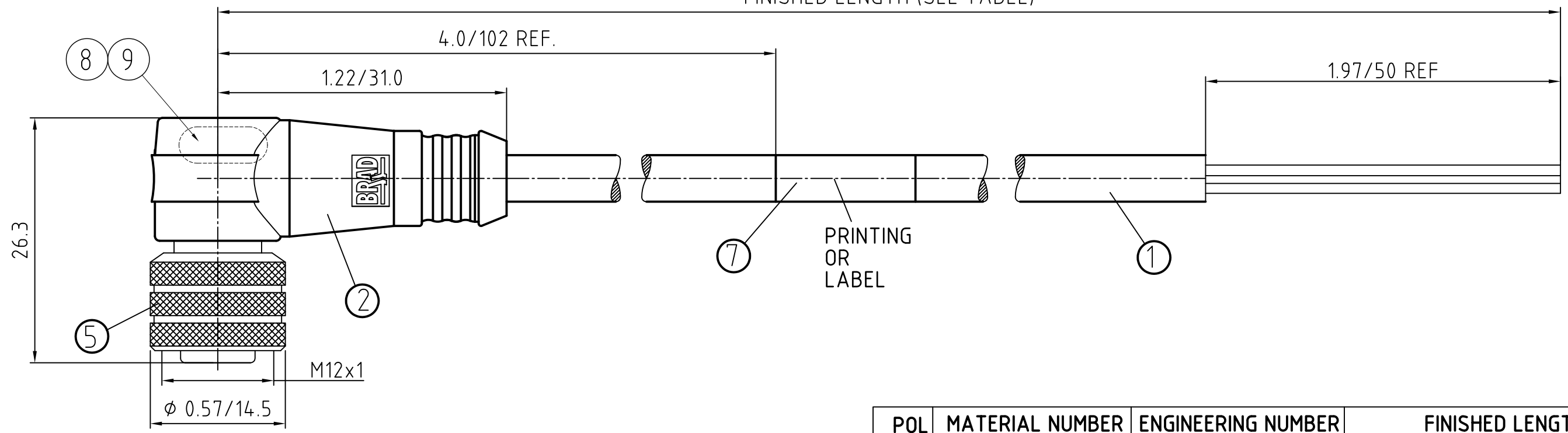


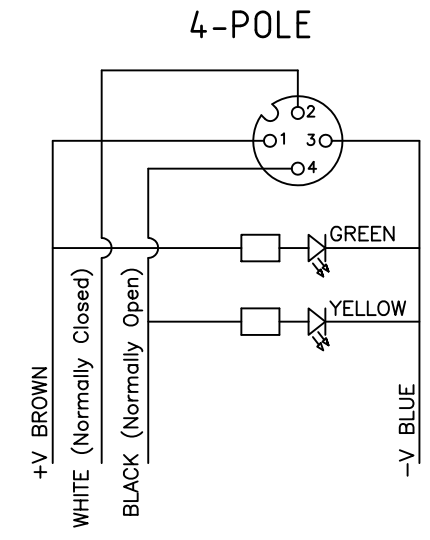
FINISHED LENGTH (SEE TABLE)



CONNECTOR SPECIFICATION:

VOLTAGE RATING	10 TO 30VDC
AMPERAGE RATING	max. 4 AMPS
PROTECTION	IP67
OPERATING TEMPERATURE	FLEXING: -5°C TO +90°C STATIC: -30°C TO +90°C

POL	MATERIAL NUMBER	ENGINEERING NUMBER	FINISHED LENGTH
4	1200670257	8040P1A09M020	6.56' +3.5" -0 [2.0M +89 -0]



FEMALE FACE VIEW

4-POLE

WIRING DIAGRAM

1 BROWN
2 WHITE
3 BLUE
4 BLACK

ITEM	COMPONENT	MATERIAL	FINISH
9	LED		GREEN
8	LED		YELLOW
7	LABLE	MYLAR	BLACK/YELLOW
6	O-RING	VITON	RED
5	COUPLER	BRASS	NICKEL PLATED
4	PIN CONTACT	COPPER ALLOY	GOLD OVER NICKEL
3	INSERT	PUR	BLACK
2	OVERMOLD	POLYURETHANE (PUR)	TRANSP.
1	CABLE- 22/3-5 (COPPER STRANDING) 3/4/5 CONDUCT. 300V	JACKET: PUR	BLACK

DESCRIPTION EC NO: WEU2010-0318 DRWN: BBRAUCH 2010/02/03 CHKD: NS APPR: NSTAUDIG 2010/02/05	QUALITY SYMBOLS ▽ = 0 ▽/C = 0	GENERAL TOLERANCES (UNLESS SPECIFIED) <table border="1"> <thead> <tr> <th></th> <th>mm</th> <th>INCH</th> </tr> </thead> <tbody> <tr> <td>4 PLACES</td> <td>±---</td> <td>±---</td> </tr> <tr> <td>3 PLACES</td> <td>±---</td> <td>±---</td> </tr> <tr> <td>2 PLACES</td> <td>±---</td> <td>±0.1</td> </tr> <tr> <td>1 PLACE</td> <td>±0.3</td> <td>±---</td> </tr> <tr> <td colspan="3">ANGULAR ± --- °</td> </tr> </tbody> </table>		mm	INCH	4 PLACES	±---	±---	3 PLACES	±---	±---	2 PLACES	±---	±0.1	1 PLACE	±0.3	±---	ANGULAR ± --- °			DIMENSION STYLE IN/MM	SCALE 2:1	DESIGN UNITS METRIC	THIRD ANGLE PROJECTION
		mm	INCH																					
	4 PLACES	±---	±---																					
	3 PLACES	±---	±---																					
2 PLACES	±---	±0.1																						
1 PLACE	±0.3	±---																						
ANGULAR ± --- °																								
DRAWN BY BBRAUCH	DATE 2010/02/03	MICRO-CHANGE CORDSET 4-POL FE 90 SE LED 22/4 BLACK PUR CABLE																						
CHECKED BY NS	DATE 2010/02/04																							
DRAFT WHERE APPLICABLE MUST REMAIN WITHIN DIMENSIONS		APPROVED BY NSTAUDIG	DATE 2010/02/04	MOLEX INCORPORATED																				
SIZE A3	SEE TABLE		MATERIAL NO. SD-120067-013	DOCUMENT NO.	SHEET NO. 1 OF 1	THIS DRAWING CONTAINS INFORMATION THAT IS PROPRIETARY TO MOLEX INCORPORATED AND SHOULD NOT BE USED WITHOUT WRITTEN PERMISSION																		