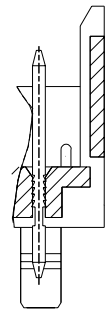
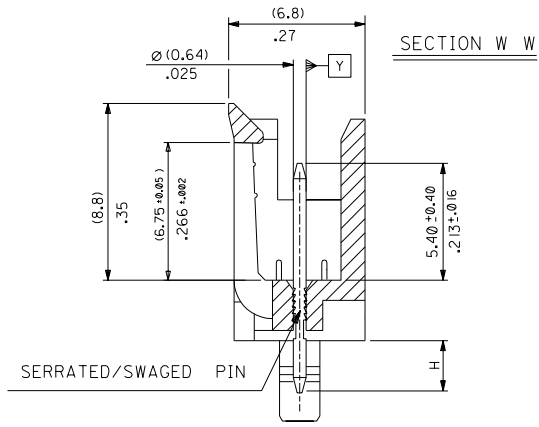
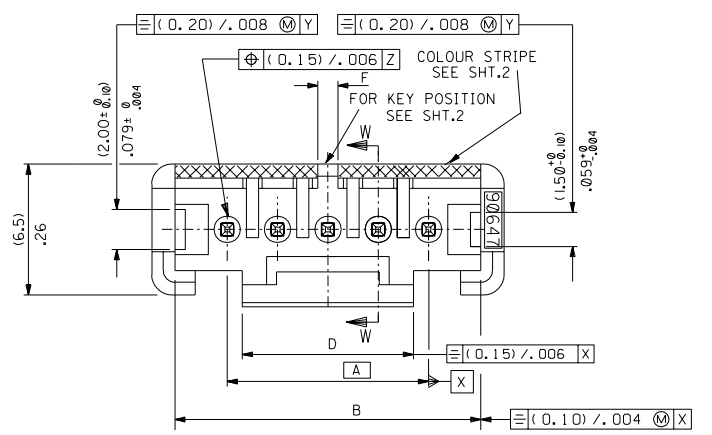
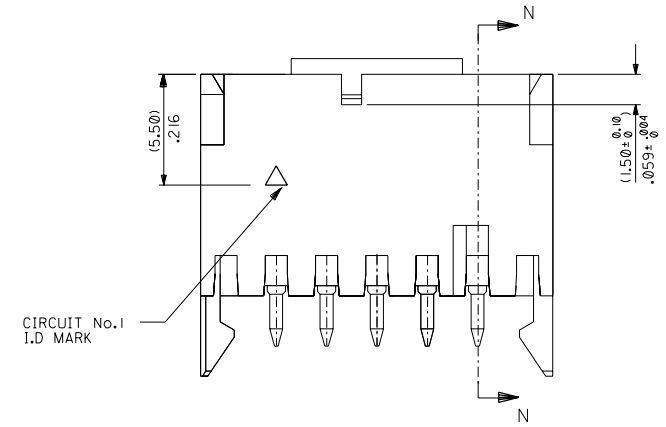
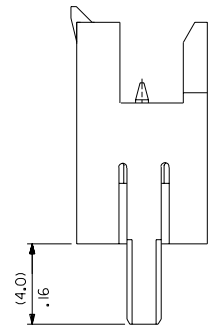
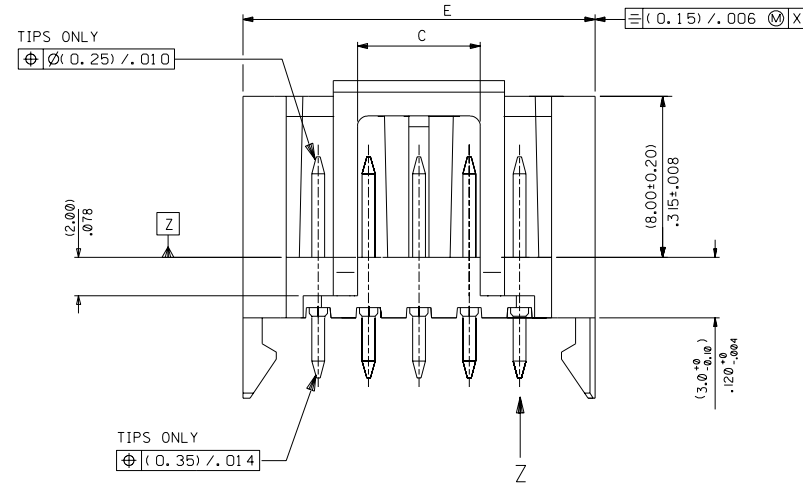


PART NO. SEE CHART
 DWG. NO. SDA-90647



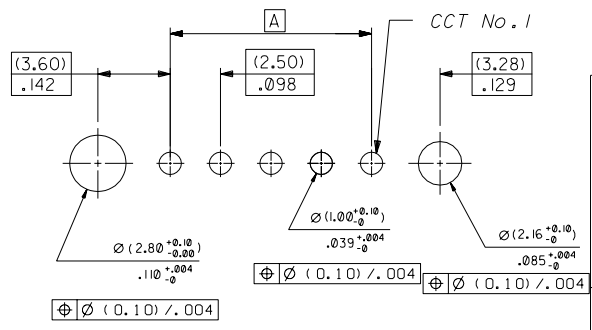
SECTION N-N
 SKIP FEATURE AND KEYING
 IN SAME CIRCUIT.
 2,3 & 4 CKT. ONLY.



NOTES :

- MATERIAL;
 HOUSING: POLYESTER, UL 94V-0, G.E VALOX 310-SE0.
 PINS: BRASS,
 PLATING: (3um)/.118uin MIN. TIN
 TO 95/5 OVER (2um)/.078uin MIN. COPPER OR NICKEL.
- FOR ALL UNSTATED DIMENSIONS, COLOUR I.D AND
 KEYING POSITIONS SEE SHEET 2.

RECOMMENDED P.C.B. HOLE LAYOUT
 PCB LAYOUT : COMPONENT SIDE
 PCB THICKNESS 1.50 TO 1.60.

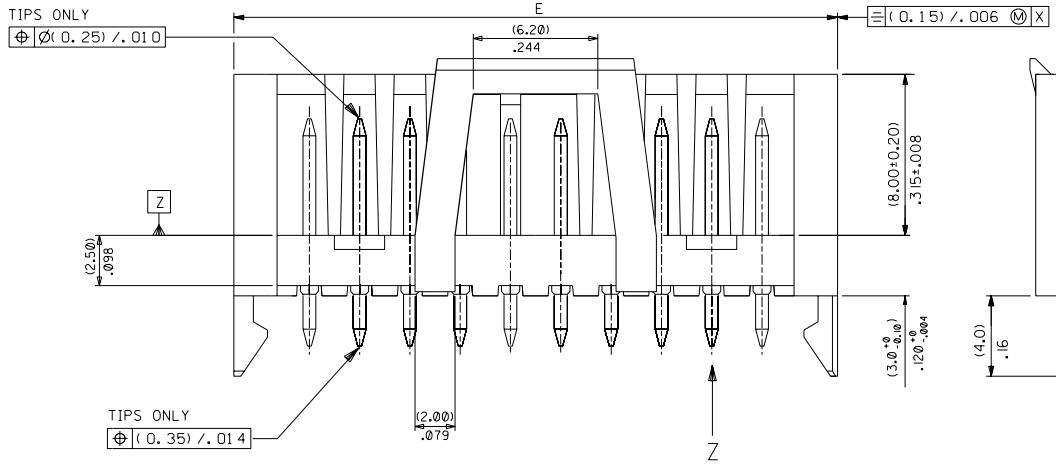
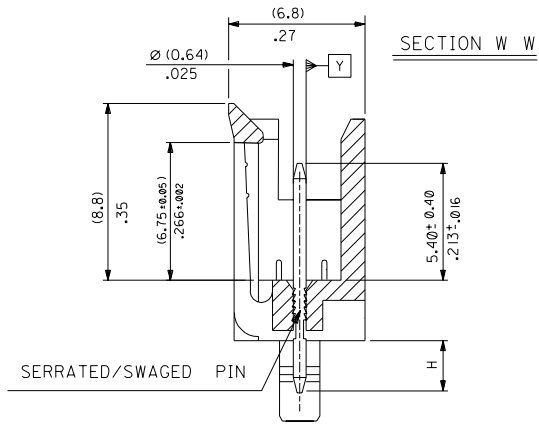
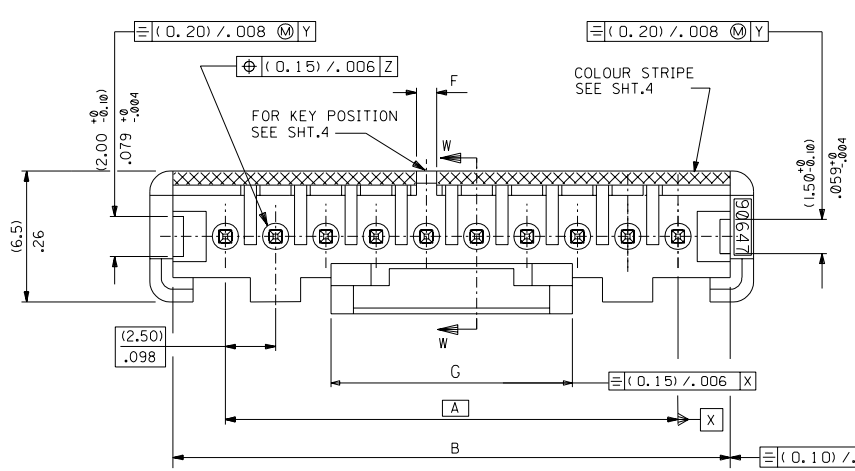


MODIFIED DIMS EC NO. E2004-1124 DRWN: D. BYRNES 280504 CHK: B. MAGUIRE 040610 APPR: B. MAGUIRE 040610	QUALITY SYMBOLS MAJOR = CRITICAL =
REV	DESCRIPTION
L	

GENERAL TOLERANCES: (UNLESS SPECIFIED)	SCALE 4:1	DESIGN UNITS <input type="checkbox"/> mm <input type="checkbox"/> INCH	THIRD ANGLE PROJECTION
4 PLACES ±0.25	mm	INCH	DRAWN BY & DATE POB 13/10/90
3 PLACES ±0.15	mm	INCH	CHECKED BY & DATE BM 13/10/90
2 PLACES ±0.15	mm	INCH	APPROVED BY & DATE MW 13/10/90
1 PLACE ±0.25	mm	INCH	CAD FILENAME S90647X1.DGN
ANGULAR: ±1/2 °	DRAFT WHERE APPLICABLE MUST REMAIN WITHIN DIMENSIONS		

DIMENSIONS: <input checked="" type="checkbox"/> mm <input type="checkbox"/> INCH <input type="checkbox"/> mm <input type="checkbox"/> ONLY		SHT 4	REV L
TITLE: 2.5mm Uf Hdr W+B Vt Ltc (2-5Ckt only)		REVISE ON CAD ONLY	
MOLEX INCORPORATED			
MATERIAL NO. SEE CHART	DRAWING NO. SDA-90647	SHEET NO. 10F 4	
THIS DRAWING CONTAINS INFORMATION THAT IS PROPRIETARY TO MOLEX INCORPORATED AND SHOULD NOT BE USED WITHOUT WRITTEN PERMISSION.			SIZE B

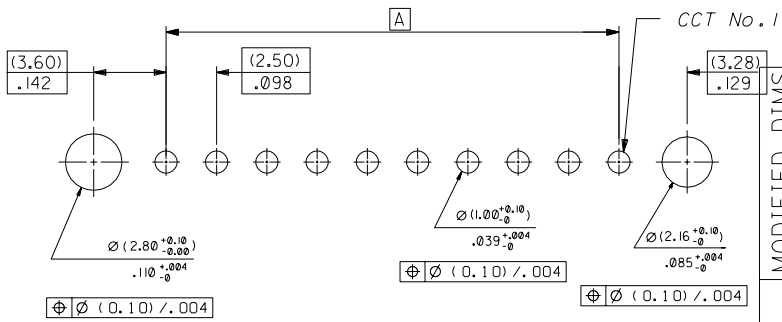
PART NO. SEE CHART
 DWG. NO. SDA-90647E



RECOMMENDED P.C.B. HOLE LAYOUT
 SEEN FROM SOLDER SIDE OF P.C.B.
 PCB THICKNESS 1.50 TO 1.60.

NOTES :

- MATERIALS;
 HOUSING: 15% GF NATURAL (WHITE) POLYESTER, RATED UL 94V-0
 PINS: BRASS.
 PLATING: (3um) / .118uin MIN. TIN
 TO 95/5 OVER (2um) / .078uin MIN. COPPER OR NICKEL.
- FOR ALL UNSTATED DIMENSIONS, COLOUR I.D AND
 KEYING POSITIONS SEE SHEET 4.



MODIFIED DIMS
 EC NO. E2004-1124
 DRWN: DBYRNES 18/05/04
 CHK: BMAGUIRE 28/05/04
 APPR: BMAGUIRE 28/05/04

QUALITY SYMBOLS
 MAJOR =
 CRITICAL =

GENERAL TOLERANCES: (UNLESS SPECIFIED)	DIMENSIONS:	
	mm	INCH
4 PLACES ±0.	±.	
3 PLACES ±0.	±.006	
2 PLACES ±0.15	±.008	
1 PLACE ±0.25	±.	
ANGULAR: ±1/2 °		

SCALE 4:1	DESIGN UNITS <input type="checkbox"/> mm <input type="checkbox"/> INCH	THIRD ANGLE PROJECTION
DRAWN BY & DATE DOS 94/05/18		
CHECKED BY & DATE BM 94/05/18		
APPROVED BY & DATE MW 94/05/18		
CAD FILENAME S90647X3.DGN	MATERIAL NO. SEE CHART	DRAWING NO. SDA-90647

TITLE: 2.5mm UF Hdr W+B V+ Ltc (6-20ck+ only)		SHT 30F4	REV ON CAD ONLY
MOLEX INCORPORATED			
DRAFT WHERE APPLICABLE MUST REMAIN WITHIN DIMENSIONS		THIS DRAWING CONTAINS INFORMATION THAT IS PROPRIETARY TO MOLEX INCORPORATED AND SHOULD NOT BE USED WITHOUT WRITTEN PERMISSION.	