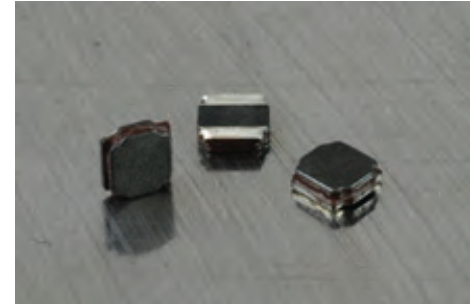
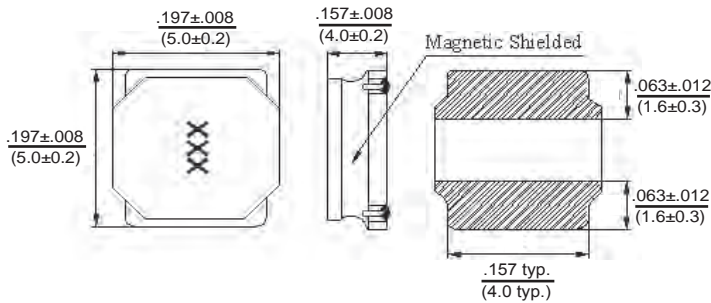




SMD SHIELDED POWER CHIP INDUCTOR

PCSV54

 Dimensions: Inches
(mm)


| Allied Part Number | Inductance (μh) | Tolerance (%) | Test Freq. Khz, 1V | RDC (mΩ) ±30% | Isat (A) Typ. | Irms (A) Typ. | Marking |
|--------------------|-----------------|---------------|--------------------|---------------|---------------|---------------|---------|
| PCSV54-1R5T-RC | 1.5 | 30 | 100 | 16 | 7.1 | 4.4 | 1R5 |
| PCSV54-2R2T-RC | 2.2 | 30 | 100 | 21 | 5.7 | 3.7 | 2R2 |
| PCSV54-3R3T-RC | 3.3 | 30 | 100 | 26 | 4.8 | 3.5 | 3R3 |
| PCSV54-4R7M-RC | 4.7 | 20 | 100 | 32 | 4.2 | 3.2 | 4R7 |
| PCSV54-6R8M-RC | 6.8 | 20 | 100 | 50 | 3.3 | 2.4 | 6R8 |
| PCSV54-100M-RC | 10 | 20 | 100 | 60 | 2.8 | 2.2 | 100 |
| PCSV54-150M-RC | 15 | 20 | 100 | 90 | 2.3 | 1.8 | 150 |
| PCSV54-220M-RC | 22 | 20 | 100 | 135 | 1.8 | 1.4 | 220 |
| PCSV54-330M-RC | 33 | 20 | 100 | 190 | 1.5 | 1.1 | 330 |
| PCSV54-470M-RC | 47 | 20 | 100 | 310 | 1.2 | 0.9 | 470 |

All specifications subject to change without notice.

Features

- Magnetically Shielded Construction
- Ultra Low Profile

Electrical

Inductance Range: 1.5μh ~ 47μh (other values being added)

Tolerance: Available in 20% & 30% as noted

Operating Temp: -25°C ~ +105°C

Isat: Current at which the Inductance will drop by no more than 30% of its initial value.

Irms: Based on a temp rise of ΔT = 40°C typical at 25°C Ambient.

Resistance to Soldering Heat

Pre-Heat 150°C, 1 Min.

Solder Composition: Sn/Ag3.0/Cu0.5

Solder Temp: 260°C +/- 5°C for 10 sec

Test Equipment

(L): Agilent/HP4284A + Agilent/HP16334A

(RDC): Chroma MilliOhm Meter Mode16502

Current: HP4284A + HP42841A

Irms: Agilent 6641 System DC Power Supply

Physical

Packaging: 1500 per Tape and reel

Marking: EIA Inductance Code