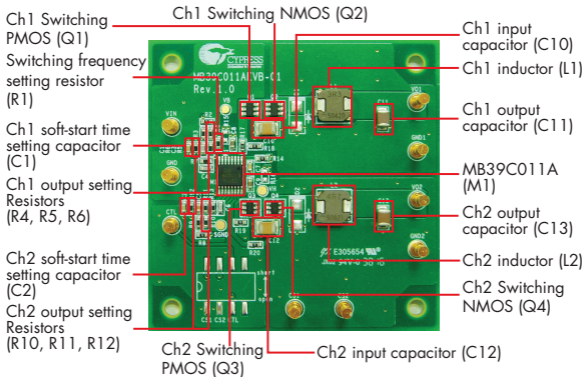


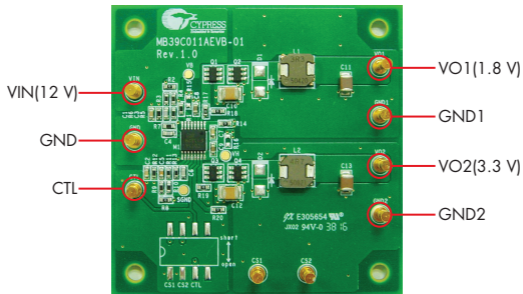
MB39C011AEVB-01 2CH BUCK DC/DC CONVERTER IC EVALUATION KIT



MB39C011AEVB-01 Features:

- Input voltage range: 10.8 V to 13.2 V
- Output voltage Ch1: 1.8 V (Typ), Ch2: 3.3 V (Typ)
- Ripple voltage Ch1 & Ch2: 30 mV (Typ)
- Output current Ch1 & Ch2: up to 3A
- Switching frequency: 500 kHz (Typ)
- Soft start time Ch1 & Ch2: 4.5 ms (Typ)
- Size: 6.0 cm x 6.0 cm

MB39C01 1AEVB-01 2CH BUCK DC/DC CONVERTER IC EVALUATION KIT



Setup*

- 1 Connect VIN to a power supply and GND to the ground.
- 2 Connect CTL to VIN.
- 3 Connect VO1 to a voltmeter.
- 4 Connect VO2 to a voltmeter.

Check*

- 1 Apply 12 V to VIN.
- 2 VO1 voltage should be 1.8 V (typ) and VO2 voltage should be 3.3 V (typ).

*Do not supply power to VIN until setting is completed.

For the latest information about this kit and hardware files, visit www.cypress.com/MB39C01 1AEVB-01