

Customer Information Sheet

DRAWING No.: M83-LML3MINXX-0000-000

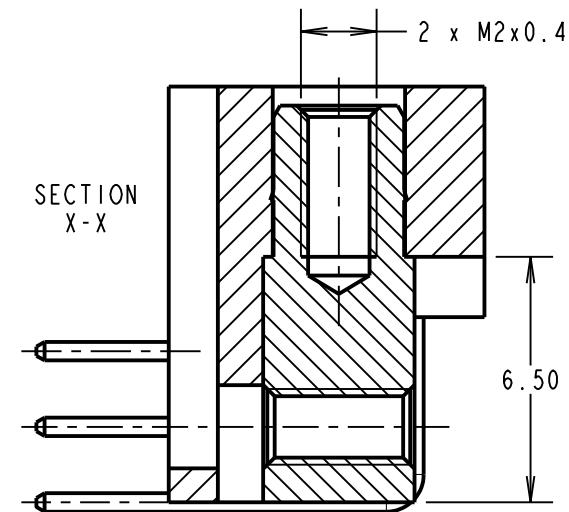
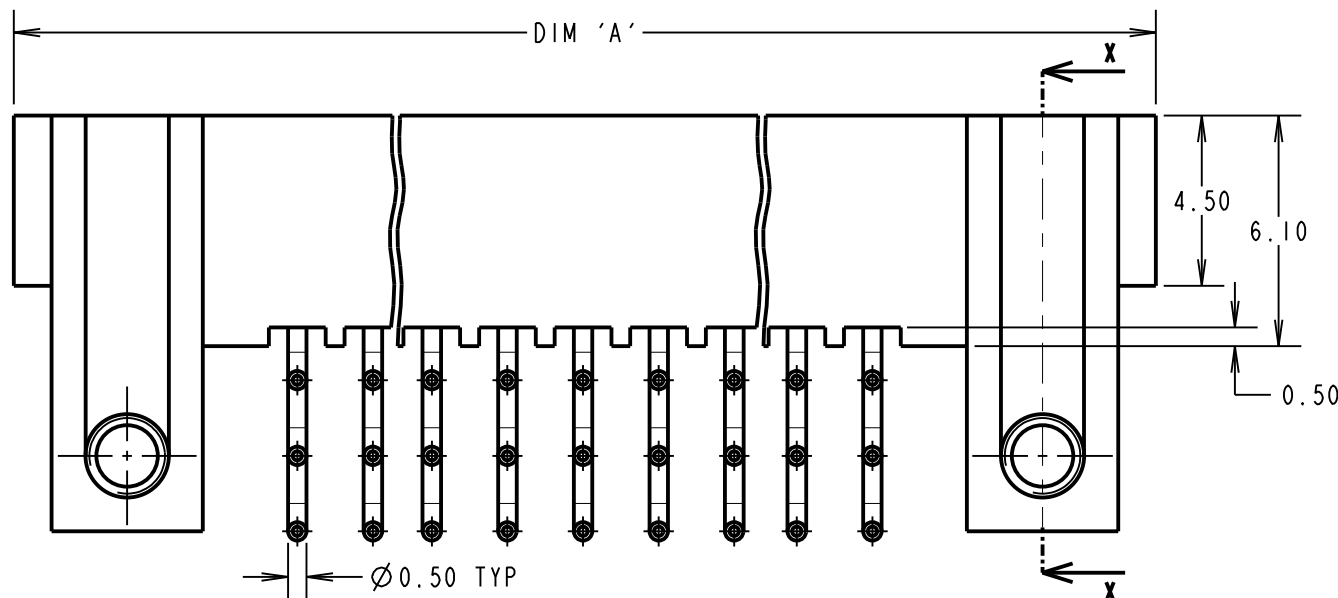
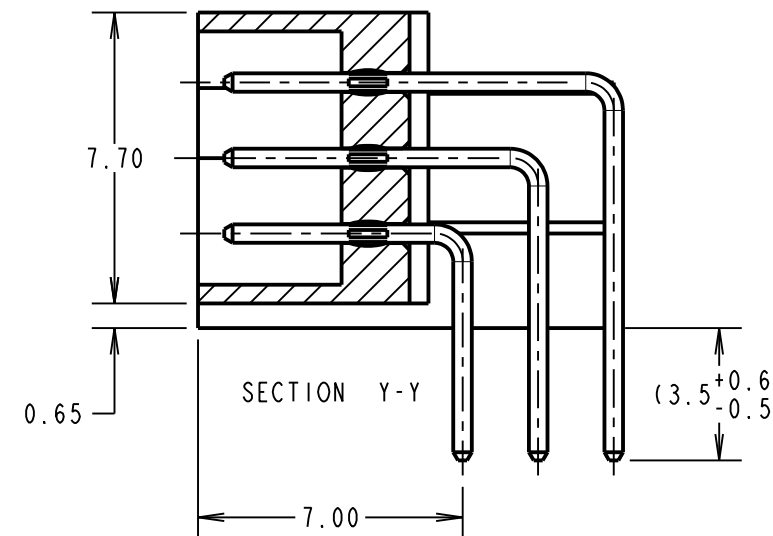
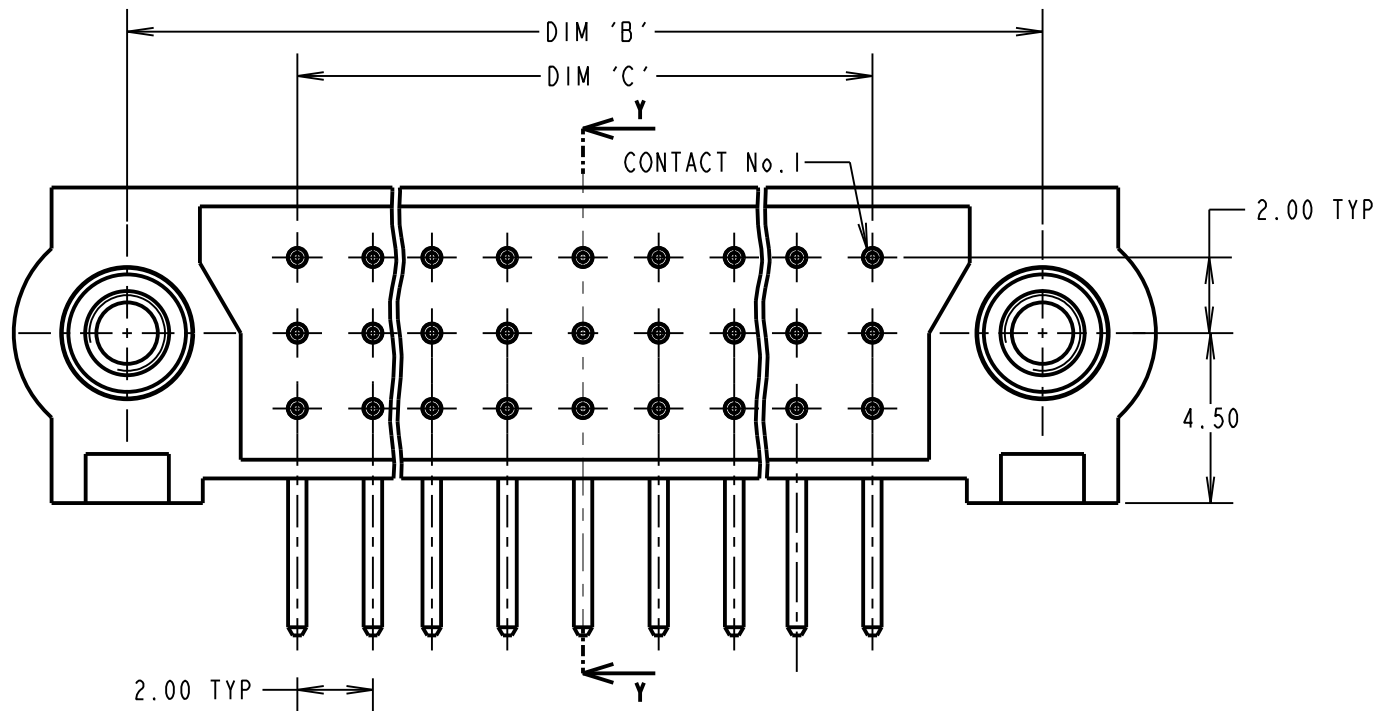
IF IN DOUBT - ASK

©

NOT TO SCALE

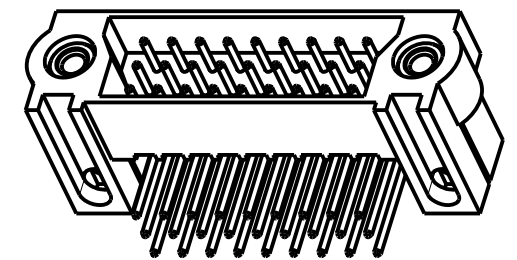
THIRD ANGLE PROJECTION

ALL DIMENSIONS IN mm

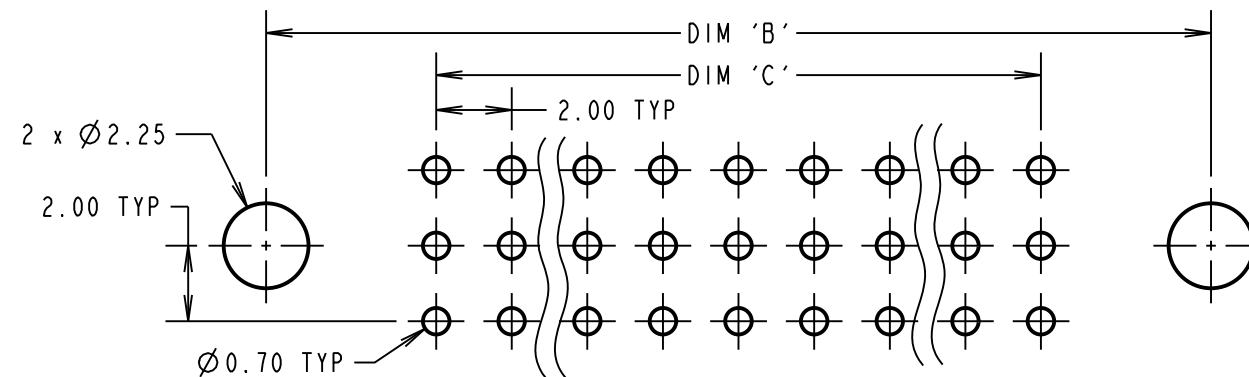


ORDER CODE:
M83-LML3MINXX-0000-000

TOTAL No. OF CONTACTS _____
 18, 27, 36, 48, 54, 60, 96



RECOMMENDED PCB LAYOUT
 (ALL TOLERANCE ±0.05)



DIMENSION	CALCULATION
DIM 'A'	((TOTAL No. OF CONTACTS / 3) x 2) + 13
DIM 'B'	((TOTAL No. OF CONTACTS / 3) x 2) + 7
DIM 'C'	((TOTAL No. OF CONTACTS / 3) x 2) - 2

EXAMPLE 1: CONNECTOR WITH 27 CONTACTS,
 M83-LML3MIN27-0000-000
 DIM 'A' = 31.00mm, DIM 'B' = 25.00mm, DIM 'C' = 16.00mm

EXAMPLE 2: CONNECTOR WITH 54 CONTACTS,
 M83-LML3MIN54-0000-000
 DIM 'A' = 49.00mm, DIM 'B' = 43.00mm, DIM 'C' = 34.00mm

MR	4	28.02.22	31384
NAME	ISS.	DATE	CN/CO
APPROVED: R.ALEXANDER			
CHECKED: M.RUDKIN			
DRAWN: R.ADDE			
CUSTOMER REF.:			
ASSEMBLY DRG:			

HARWIN

www.harwin.com
 technical@harwin.com

THIS DRAWING AND ANY INFORMATION OR DESCRIPTIVE MATTER SET OUT HEREON ARE CONFIDENTIAL AND COPYRIGHT PROPERTY OF THE HARWIN GROUP AND MUST NOT BE DISCLOSED, LOANED, COPIED OR USED FOR MANUFACTURING, TENDERING OR FOR ANY OTHER PURPOSE WITHOUT THEIR WRITTEN PERMISSION.

TOLERANCES
 X. = ±1mm
 X.X = ±0.50mm
 X.XX = ±0.20mm
 X.XXX = ±0.01mm
 ANGLES = ±5°
 UNLESS STATED

MATERIAL:
 SEE ABOVE
 FINISH: SEE ABOVE
 S/AREA: mm²

TITLE:
 JACKSCREW DATAMATE
 3-ROW HORIZONTAL MALE ASSY

DRAWING NUMBER:
M83-LML3MINXX-0000-000

SHT
 2 OF 2