

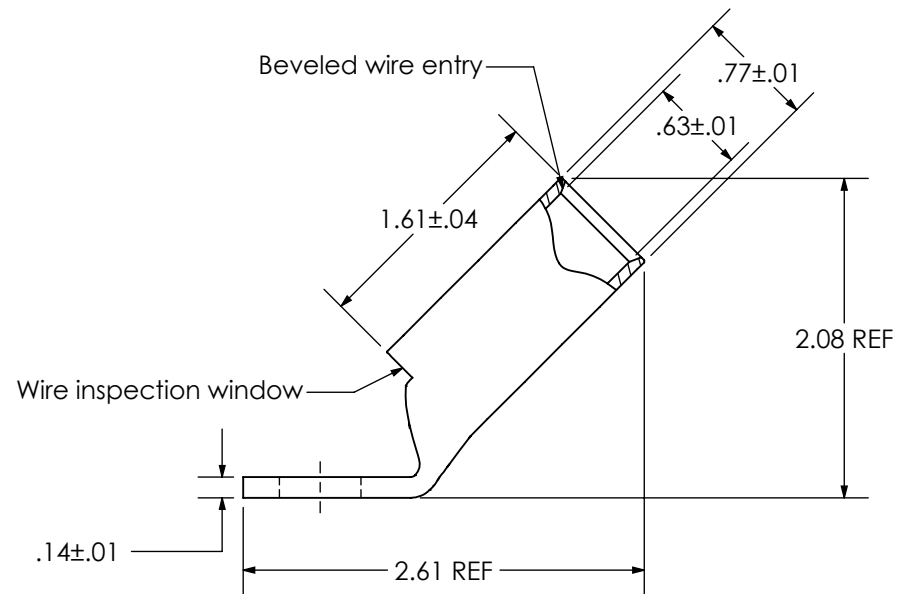
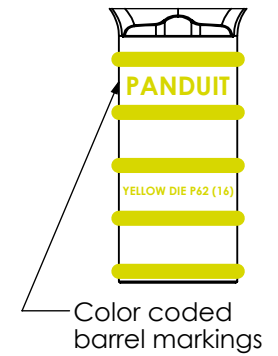
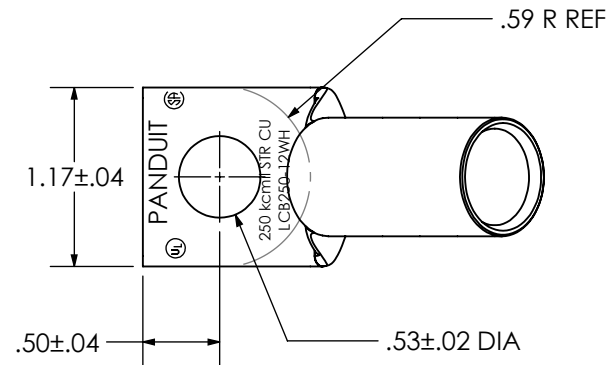
THIS COPY IS PROVIDED ON A RESTRICTED BASIS AND IS NOT TO BE USED IN ANY WAY DETRIMENTAL TO THE INTERESTS OF PANDUIT CORP.

|  |  |
|--|--|
| Material                                       | High Conductivity Seamless Copper Tube   |
| Plating  | Electro-Tin  |
| Wire Size                                      | 250 kcmil  |
| Wire Type                                      | Stranded Copper; Class B: Compact, Compressed or Concentric, Class C: Concentric   |
| Wire Strip Length                              | 1-11/16 in.  |
| Stud Size                                      | 1/2 in.  |
| UL Listed Wire Connector                       | Yes, for applications up to 35kv. Consult cable manufacturer for voltage stress relief instructions with applications greater than 2000 volts. |
| UL Temperature Rating                          | 90° C  |
| C.S.A Certified Wire Connector                 | Yes  |
| Panduit Color Code on Barrel                   | YELLOW   |
| Panduit Die Index No. on Barrel                | P62  |
| Alternate Industry Die Index No. ( ) on Barrel | (16)   |



CERTIFIED

LISTED Wire Connector



|     |      |      |      |             |     |    |     |       |                       |
|-----|------|------|------|-------------|-----|----|-----|-------|-----------------------|
| 00  | 4/17 | JHNU | JHNU |             |     |    |     |       |                       |
| REV | DATE | BY   | CHK  | DESCRIPTION | ECN | -R | SUP | SCALE | DRAWING NO / CAD FILE |

**PANDUIT CORP. TINLEY PARK, ILLINOIS**

LCB250-12WH-X  
Copper Lug - One-Hole, Long Barrel with Window, 45° Angle Tongue

SCALE N/A

DRAWING NO / CAD FILE

LCB250-12WH-CUST