

THIS COPY IS PROVIDED ON A RESTRICTED BASIS AND IS NOT TO BE USED IN ANY WAY DETRIMENTAL TO THE INTERESTS OF PANDUIT CORP.

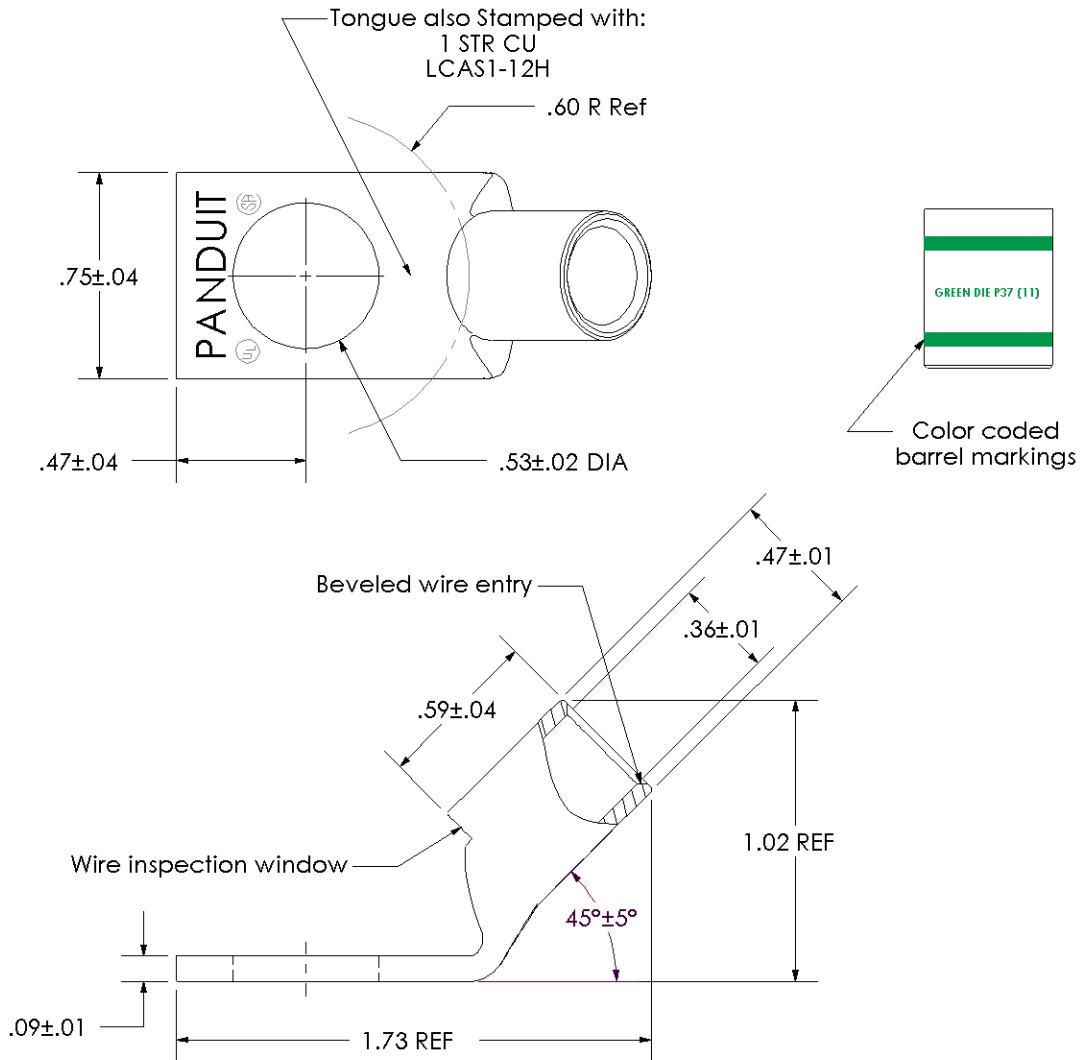
Material	High Conductivity Seamless Copper Tube
Plating	Electro-Tin
Wire Size	1 AWG
Wire Type	Stranded Copper; Class B: Compact, Compressed or Concentric, Class C: Concentric
Wire Strip Length	11/16 in.
Stud Size	1/2 in.
UL Listed Wire Connector	Yes, for applications up to 35kv. Consult cable manufacturer for voltage stress relief instructions with applications greater than 2000 volts.
UL Temperature Rating	90° C
C.S.A Certified Wire Connector	Yes
Panduit Color Code on Barrel	GREEN
Panduit Die Index No. on Barrel	P37
Alternate Industry Die Index No. ( ) on Barrel	(11)



CERTIFIED



LISTED Wire Connector



**PANDUIT CORP.** TINLEY PARK, ILLINOIS

LCAS1-12H-E

Copper Lug - One-Hole, Short Barrel, 45° Angle Tongue

REV	DATE	BY	CHK	DESCRIPTION
02	11/03	DRL	DRL	TONGUE WIDTH WAS .79

11257	SCALE N/A	DRAWING NO / CAD FILE	LCAS1-12H-CUST
-------	-----------	-----------------------	----------------