

REVISION 0

DO NOT SCALE FROM THIS PRINT

HTMS-1XX-XX-XX-X-RA-XXX

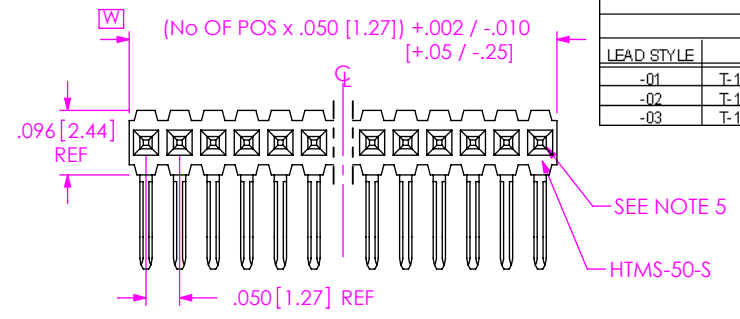


TABLE 1 RIGHT ANGLE			
LEAD STYLE	PIN# 1	PIN# 2	"B"
-01	T-1M6-14-X-2	T-1M6-15-X-2	.230 [5.84]
-02	T-1M6-12-X-2	T-1M6-13-X-2	.100 [2.54]
-03	T-1M6-18-X-2	T-1M6-19-X-2	.125 [3.18]

W No OF POSITIONS
-01 THRU -50 (PER ROW)

W TERMINAL SPEC
SEE TABLE 1

PLATING SPECIFICATION

-G: GOLD, 10 Au / 50 Ni MIN ON CONTACT, 3 Au / 50 Ni MIN ON TAIL

-T: MATTE TIN CONTACT AND TAIL

-S: SELECTIVE GOLD, 30 Au / 50 Ni MIN ON CONTACT, MATTE TIN TAIL

-F: FLASH SELECTIVE, 3 Au / 50 Ni MIN ON CONTACT, MATTE TIN TAIL

-TM: MATTE TIN CONTACT AND TAIL

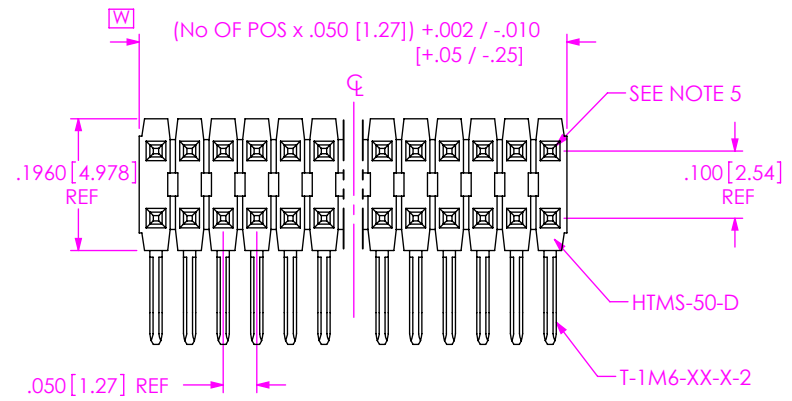
-SM: SELECTIVE GOLD, 30 Au / 50 Ni ON CONTACT, MATTE TIN TAIL

-L: LIGHT SELECTIVE GOLD, 10 Au / 50 Ni MIN ON CONTACT, MATTE TIN TAIL

OPTION
-POLARIZING SPECIFICATION
XXX INDICATES POSITIONS TO BE OMITTED (SEE FIG. 1)

OPTION
-RA: RIGHT ANGLE

BODY SPECIFICATION
-S: SINGLE (USE HTMS-50-S)
-D: DOUBLE (USE HTMS-50-D)



PACKAGING TUBE TABLE			
BODY STYLE	LEAD STYLE	TUBE	PLUG
HTMS-DOUBLE RIGHT ANGLE	-01, -02, -03	PT-1-24-02-66	TP-03
HTMS-SINGLE RIGHT ANGLE	-01, -02, -03	PT-1-24-01-66	TP-24

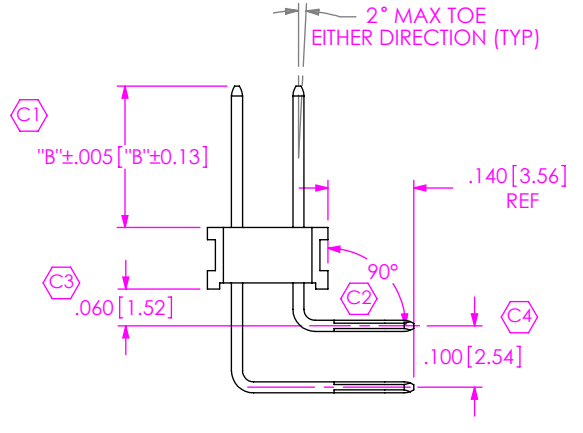
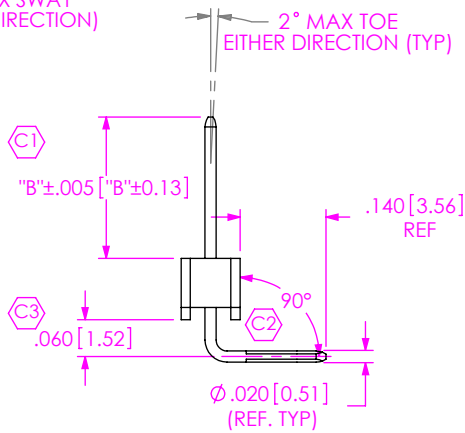
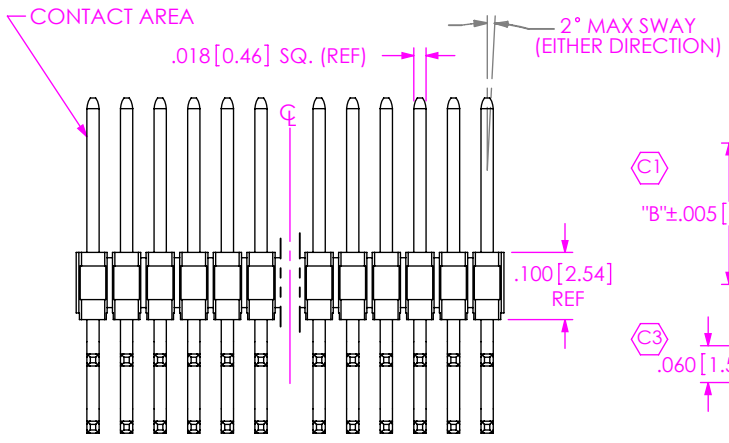
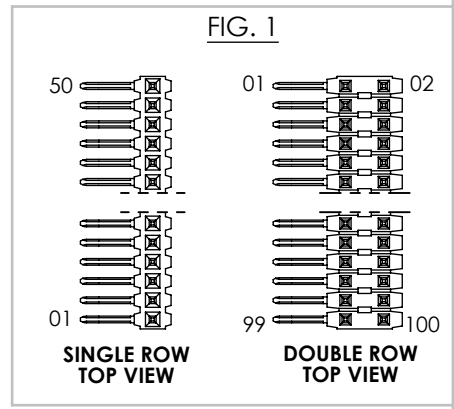


TABLE 2			
LENGTH	"L"	LENGTH	"L"
-01	.440 [11.18]	-16	.825 [20.96]
-02	.410 [10.41]	-17	.320 [8.13]
-03	.610 [15.49]	-18	.450 [11.43]
-04	.505 [12.83]	-19	.650 [16.51]
-05	.705 [17.91]	-21	.505 [12.83]
-12	.425 [10.80]	-25	.330 [8.38]
-13	.625 [15.88]	-26	.373 [9.47]
-14	.555 [14.10]	-27	.398 [10.11]
-15	.755 [19.18]	-28	1.050 [26.67]

* REF FOR PIN LENGTH

- NOTES:
- ⊙ REPRESENTS A CRITICAL DIMENSION.
 - MAXIMUM CUT FLASH: .010 [0.25].
 - MINIMUM PUSHOUT FORCE: 2 LB.
 - MAXIMUM ALLOWABLE BOW: .005 [0.13] INCH/INCH AFTER ASSEMBLY.
 - MAX PIN ROTATION IN BODY: 2°.
 - PACKAGE POSITIONS -08 THRU -50 IN PACKAGING TUBES; LAYER PACAKAGE POSITIONS -01 THRU -07.

UNLESS OTHERWISE SPECIFIED, DIMENSIONS ARE IN INCHES.

TOLERANCES ARE:
DECIMALS ANGLES

.X: ±.1 [3]
.XX: ±.01 [0.3] 2°
.XXX: ±.005 [0.13]
.XXXX: ±.0020 [0.51]

PROPRIETARY NOTE

THIS DOCUMENT CONTAINS INFORMATION CONFIDENTIAL AND PROPRIETARY TO SAMTEC, INC. AND SHALL NOT BE REPRODUCED OR TRANSFERRED TO OTHER DOCUMENTS OR DISCLOSED TO OTHERS OR USED FOR ANY PURPOSE OTHER THAN THAT WHICH IT WAS OBTAINED WITHOUT THE EXPRESSED WRITTEN CONSENT OF SAMTEC, INC.

MATERIAL: DO NOT SCALE DRAWING SHEET SCALE: 2:1

INSULATOR: LCP, UL 94 VO
TERMINAL: PHOS BRONZE.

520 PARK EAST BLVD. NEW ALBANY, IN 47150
PHONE: 812-944-6733 FAX: 812-948-5047
e-Mail info@SAMTEC.com code 55322

DESCRIPTION:
HI-TEMP TERMINAL MICRO STRIP

DWG. NO.
HTMS-1XX-XX-XX-X-RA-XXX

BY: G. REIDINGER 02/24/1992 SHEET 1 OF 1