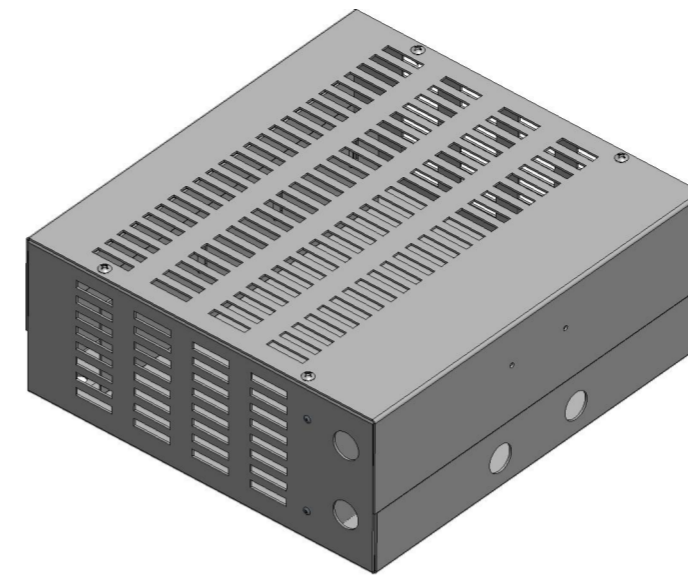
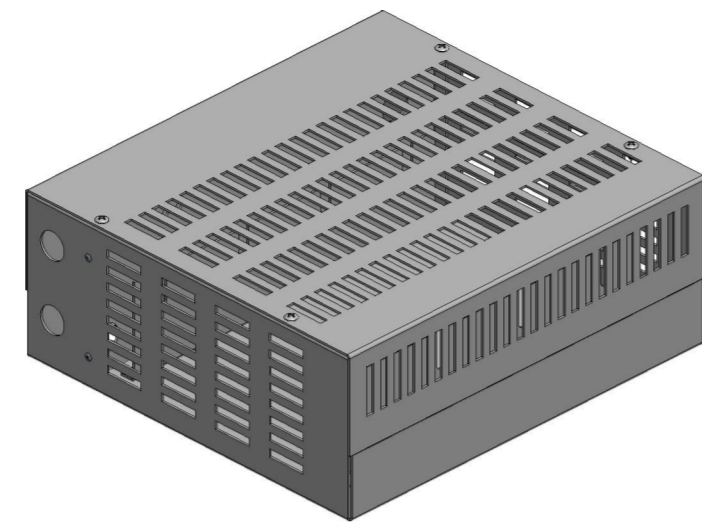


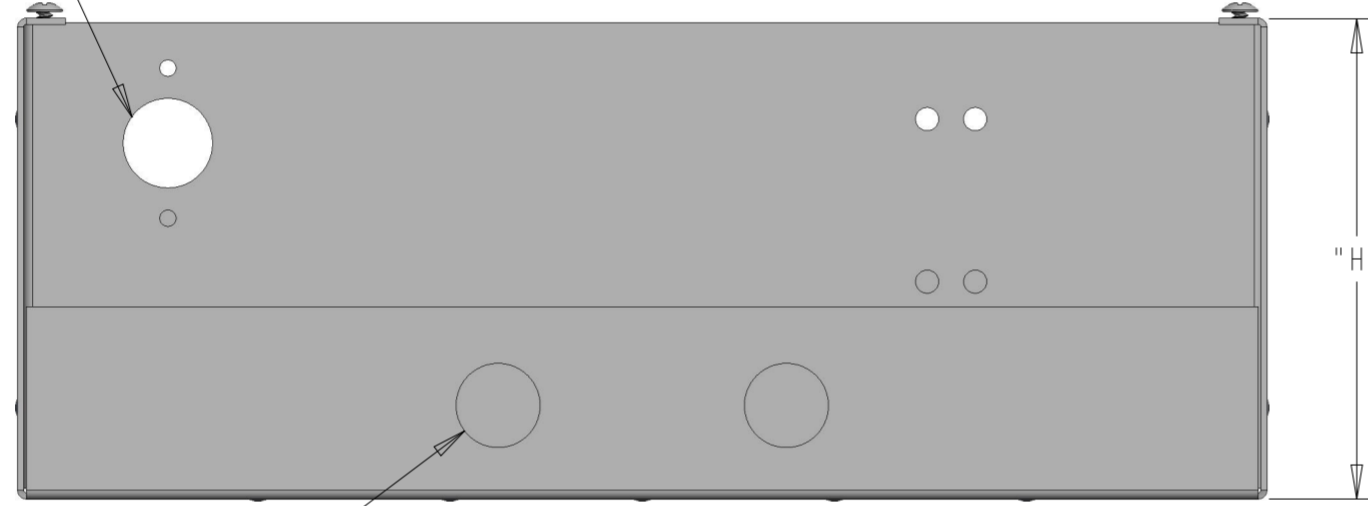
P	LTR	DESCRIPTION	DATE	DWN	APVD
A		INITIAL RELEASE	07OCT2021	KS	AP



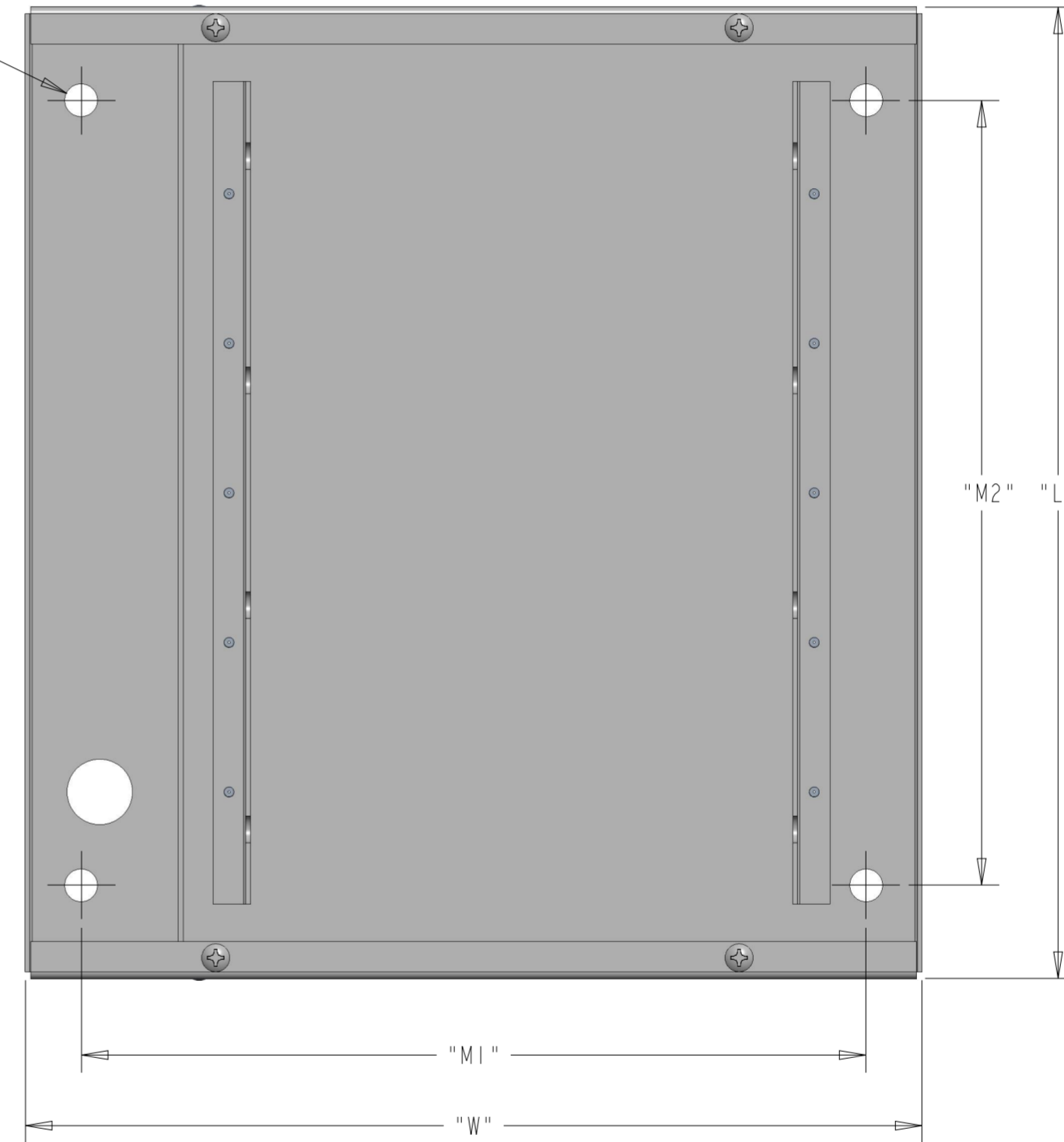
SCALE 1:5

(x4) Ø11.125
(MOUNTING HOLES)

TEMPERATURE SENSOR (OPTIONAL)




(x7) Ø22.225 (KNOCKOUTS)
[ONE LOCATED ON BOTTOM
2 ON LEFT AND RIGHT SIDE]



PART NUMBER	W (mm)	L (mm)	H (mm)	M1 (mm)	M2 (mm)	TOTAL RESISTANCE	H.P.	DUTY CYCLE	DRIVE VOLTAGE	BRAKING TORQUE
HPBA015D335R050E	305	330	127	267	267	335 Ohms ± 10%	1.50	50%	460 V	150%

NOTE:
1. FOR FURTHER TECHNICAL INFORMATION PLEASE SEE THE DATASHEET FOR THE HPBA SERIES

THIS DRAWING IS A CONTROLLED DOCUMENT.		DWN S. KARTHIK 27-09-2021	 TE Connectivity	
DIMENSIONS: mm		CHK ALLAN PILE 27-09-2021		
TOLERANCES UNLESS OTHERWISE SPECIFIED:		APVD ALLAN PILE 27-09-2021	NAME BRAKING RESISTOR ASSEMBLY TYPE HPBA SERIES HPBA015D335R050E	
0 PLC ± 1 PLC ± 2 PLC ±0.50 3 PLC ±0.500 4 PLC ± ANGLES ± FINISH -		PRODUCT SPEC -	RESTRICTED TO -	
MATERIAL -		APPLICATION SPEC -	SIZE A2	CAGE CODE 00779
		WEIGHT -	DRAWING NO C-3-2176470-4	
		CUSTOMER DRAWING	SCALE 1:2	SHEET 1 OF 2
			REV A	

4

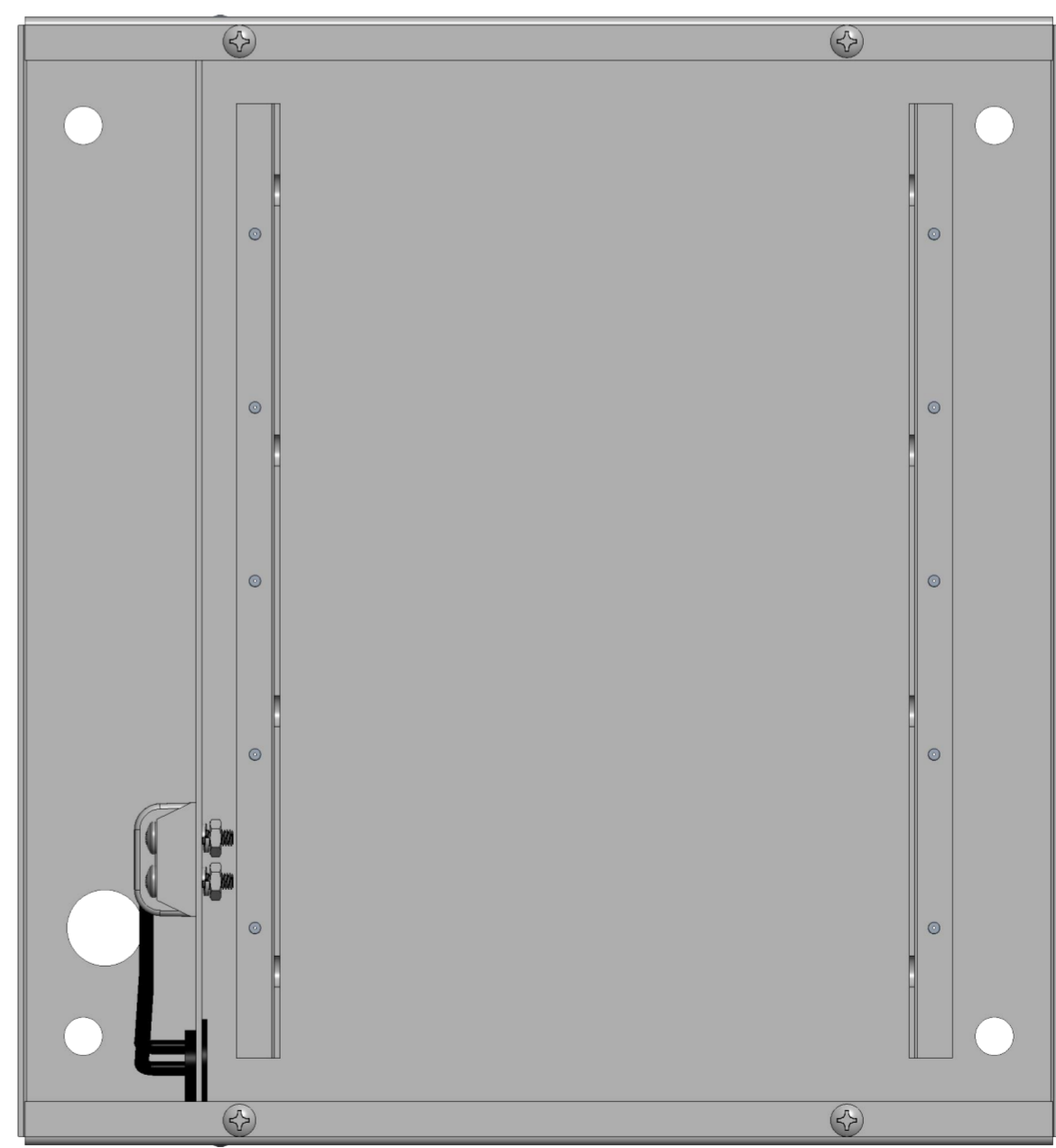
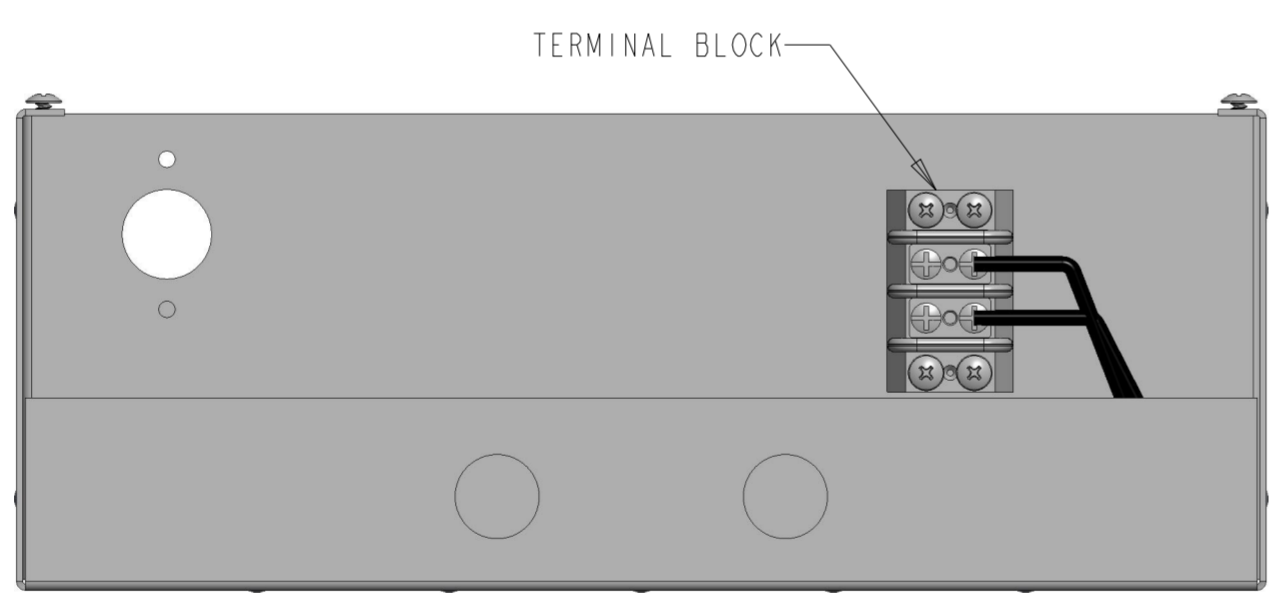
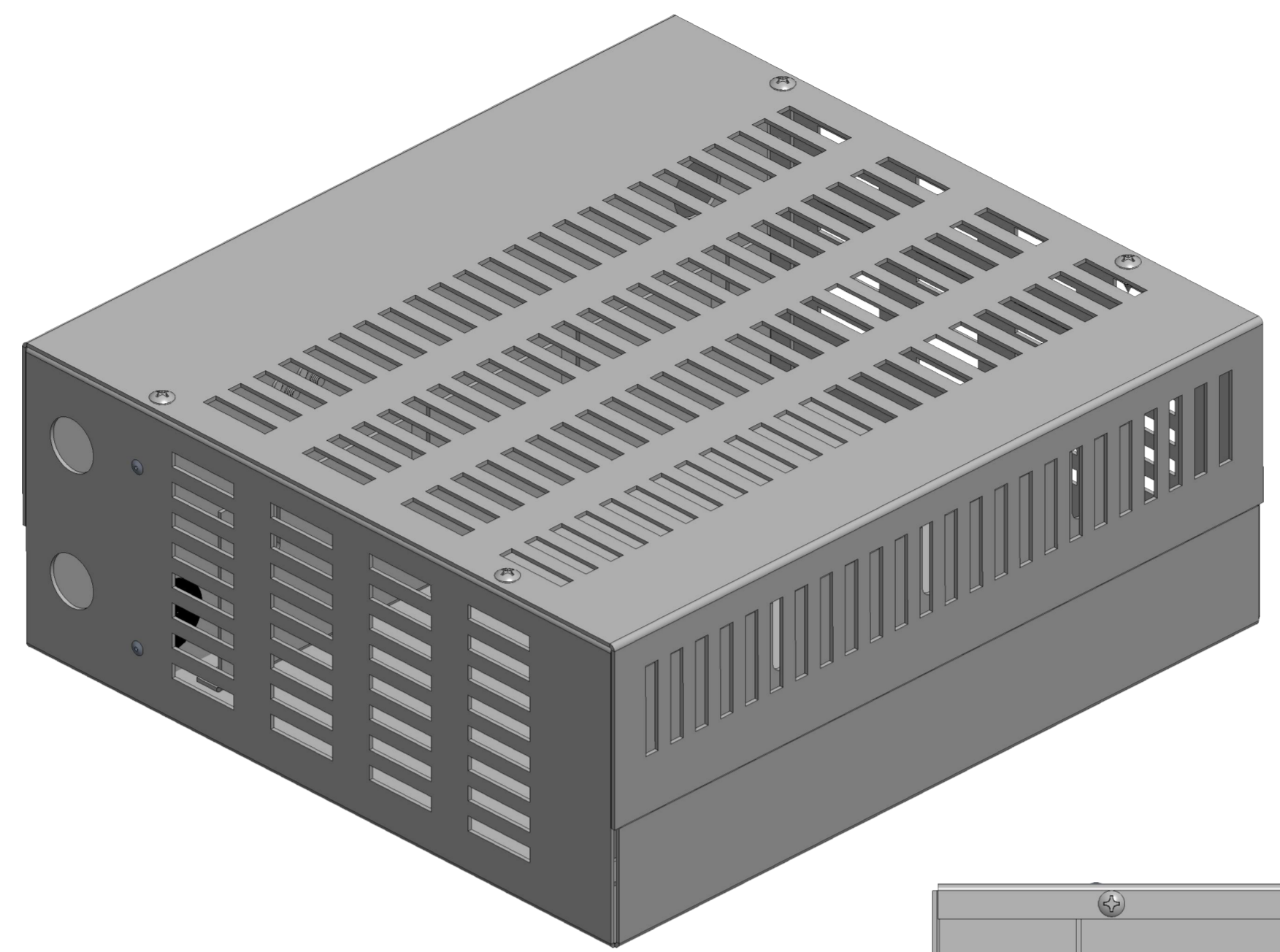
3


2

1

© 2021 TE Connectivity. All Rights Reserved.

REVISIONS				
P	LTR	DESCRIPTION	DATE	APVD
		SEE SHEET 1		



THIS DRAWING IS A CONTROLLED DOCUMENT.		DWN S. KARTHIK 27-09-2021	 TE Connectivity															
DIMENSIONS: mm		CHK ALLAN PILE 27-09-2021																
TOLERANCES UNLESS OTHERWISE SPECIFIED:		APVD ALLAN PILE 27-09-2021	NAME BRAKING RESISTOR ASSEMBLY TYPE HPBA SERIES HPBA015D335R050E															
<table border="1"> <tr> <td>0 PLC</td> <td>±</td> </tr> <tr> <td>1 PLC</td> <td>±</td> </tr> <tr> <td>2 PLC</td> <td>±0.50</td> </tr> <tr> <td>3 PLC</td> <td>±0.500</td> </tr> <tr> <td>4 PLC</td> <td>±</td> </tr> <tr> <td>ANGLES</td> <td>±</td> </tr> <tr> <td>FINISH</td> <td>-</td> </tr> </table>		0 PLC	±	1 PLC	±	2 PLC	±0.50	3 PLC	±0.500	4 PLC	±	ANGLES	±	FINISH	-	PRODUCT SPEC -	SIZE A2	CAGE CODE 00779
0 PLC	±																	
1 PLC	±																	
2 PLC	±0.50																	
3 PLC	±0.500																	
4 PLC	±																	
ANGLES	±																	
FINISH	-																	
MATERIAL -		APPLICATION SPEC -	DRAWING NO C-3-2176470-4	RESTRICTED TO -														
		WEIGHT -	SCALE 1:2 SHEET 2 OF 2 REV A															
		CUSTOMER DRAWING																