

OVEN CONTROLLED CRYSTAL OSCILLATOR

AOCJY7 Series



RoHS
Compliant



25.4x 25.4 x 12.7 mm Leaded

FEATURES:

- Exceptional Close to the carrier Maximum Phase Noise of -160dBc/Hz @ 1kHz & -174dBc/Hz @ 10kHz offset from 100.0 MHz Carrier
- SC-Cut, High “Q” resonator based design
- 100.0MHz carrier frequency
- Excellent Frequency Stability of ± 50.0 ppb over the operating temperature range of -20°C to +70°C
- Tuned Sinewave output into a 50 Ω load
- Industry Standard, 25.4x25.4x12.7 mm, RoHS compliant & Pb free package

APPLICATIONS:

- COTS Military & Industrial Radios & Timing Circuits
- Cellular Infrastructure
- Radar Systems
- Test & Measurement Equipment
- GPS Tracking with precision hold-over accuracy
- WiMax / WLAN
- Precision primary frequency reference clocks

STANDARD SPECIFICATIONS:

Parameters	Minimum	Typical	Maximum	Units	Notes
Center Frequency	100.000			MHz	
Supply Voltage	+11.4	+12.0	+12.6	V	
Supply Current (Start up)			400	mA	
Supply Current (Stabilized)			200	mA	
Sine Output Level (with 50 Ω load)	8	11	12	dBm	
Harmonics (Reference to Carrier)			-30		
Phase Noise (SSB @10Hz)			-90	dBc/Hz	
Phase Noise (SSB @100Hz)			-125	dBc/Hz	
Phase Noise (SSB @1KHz)			-160	dBc/Hz	
Phase Noise (SSB @10KHz)			-174	dBc/Hz	
Phase Noise (SSB @100KHz)			-174	dBc/Hz	
Adjust. Tolerance (Typ control voltage)			± 100	ppb	
Freq vs Supply (Vs $\pm 5\%$)			± 5	ppb	
Freq vs Load (Load $\pm 5\%$)			± 5	ppb	
Freq vs Temp (Ref to Freq @ 25°C)			± 50	ppb	
Operating Temp	-20	25	+70	°C	
Aging per year(After 30 days)			± 100	ppb	
Warm Up (10mn-2Hr on)			± 10	ppb	
Control Voltage	0	2.5	5	V	
Pulling Range	± 1000			ppb	
Linearity			10		
Storage temperature	-55		+100	°C	

By default, AOCJY7 OCO is constructed with the following key specifications:

- i) **Supply Voltage** = **12.00 Volts**
- ii) **Operating Temperature Range** = **-20°C to +70°C**
- iii) **RF Output** = **Pure Sinewave into 50 Ω**



OVEN CONTROLLED CRYSTAL OSCILLATOR

AOCJY7 Series

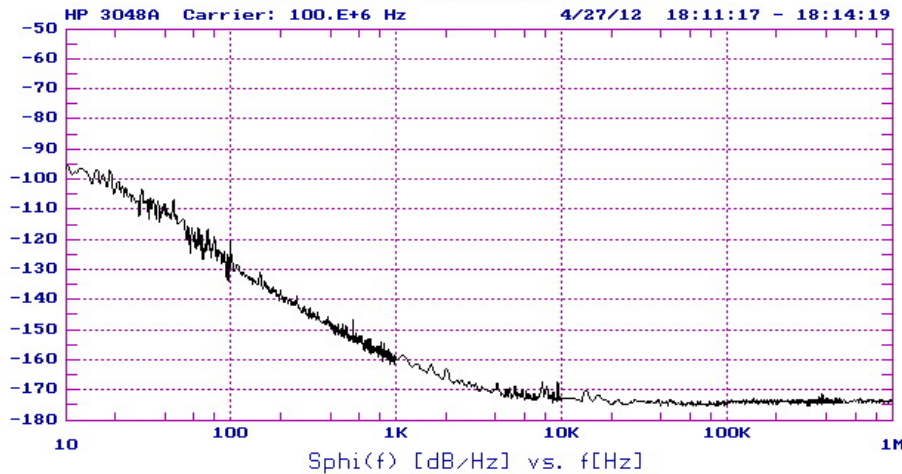


RoHS
Compliant

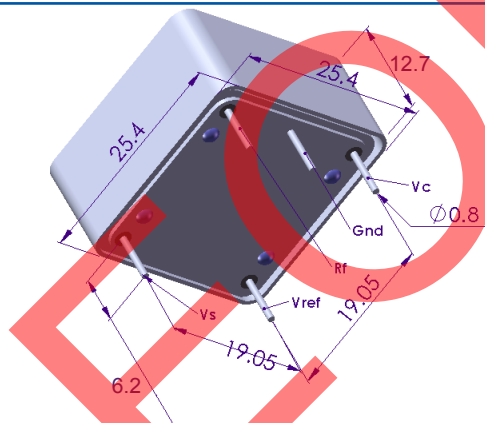


25.4x 25.4 x 12.7 mm Leaded

TYPICAL PHASE NOISE PERFORMANCE:



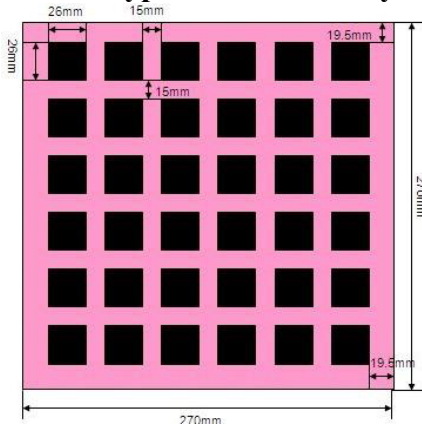
OUTLINE DRAWING:



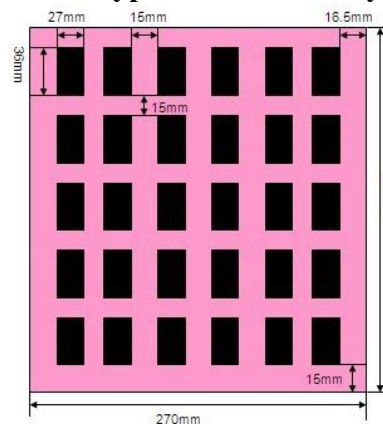
Dimensions: mm

PACKAGING:

Foam Type A: 36 units/tray



Foam Type B: 30 units/tray



ATTENTION: Abracon Corporation's products are COTS – Commercial-Off-The-Shelf products; suitable for Commercial, Industrial and, where designated, Automotive Applications. Abracon's products are not specifically designed for Military, Aviation, Aerospace, Life-dependant Medical applications or any application requiring high reliability where component failure could result in loss of life and/or property. For applications requiring high reliability and/or presenting an extreme operating environment, written consent and authorization from Abracon Corporation is required. Please contact Abracon Corporation for more information.

ABRACON IS
ISO9001:2008
CERTIFIED



ABRACON
CORPORATION

Visit www.abracon.com for Terms & Conditions of Sale Revised: 08.18.12
30332 Esperanza, Rancho Santa Margarita, California 92688
tel 949-546-8000 | fax 949-546-8001 | www.abracon.com