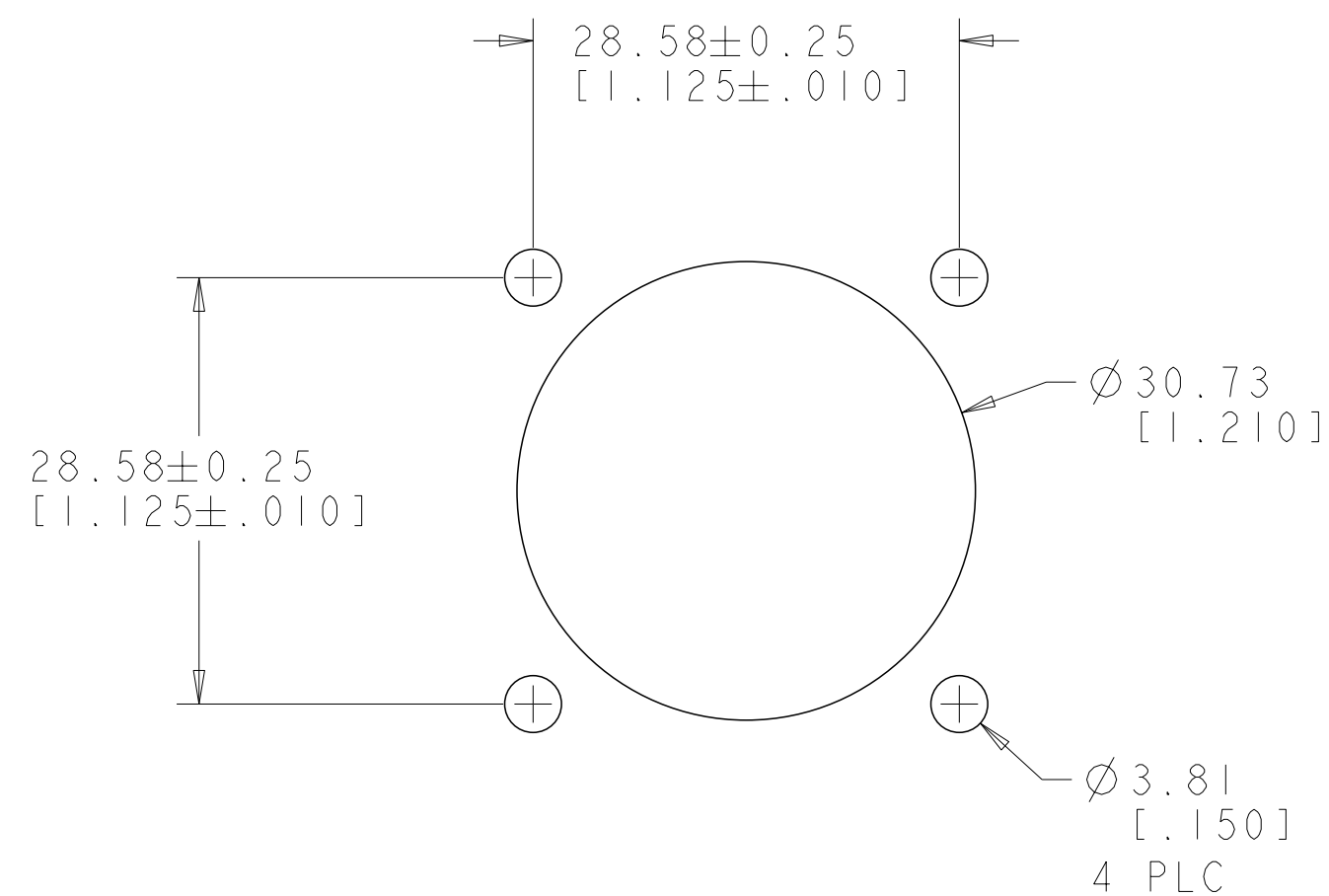
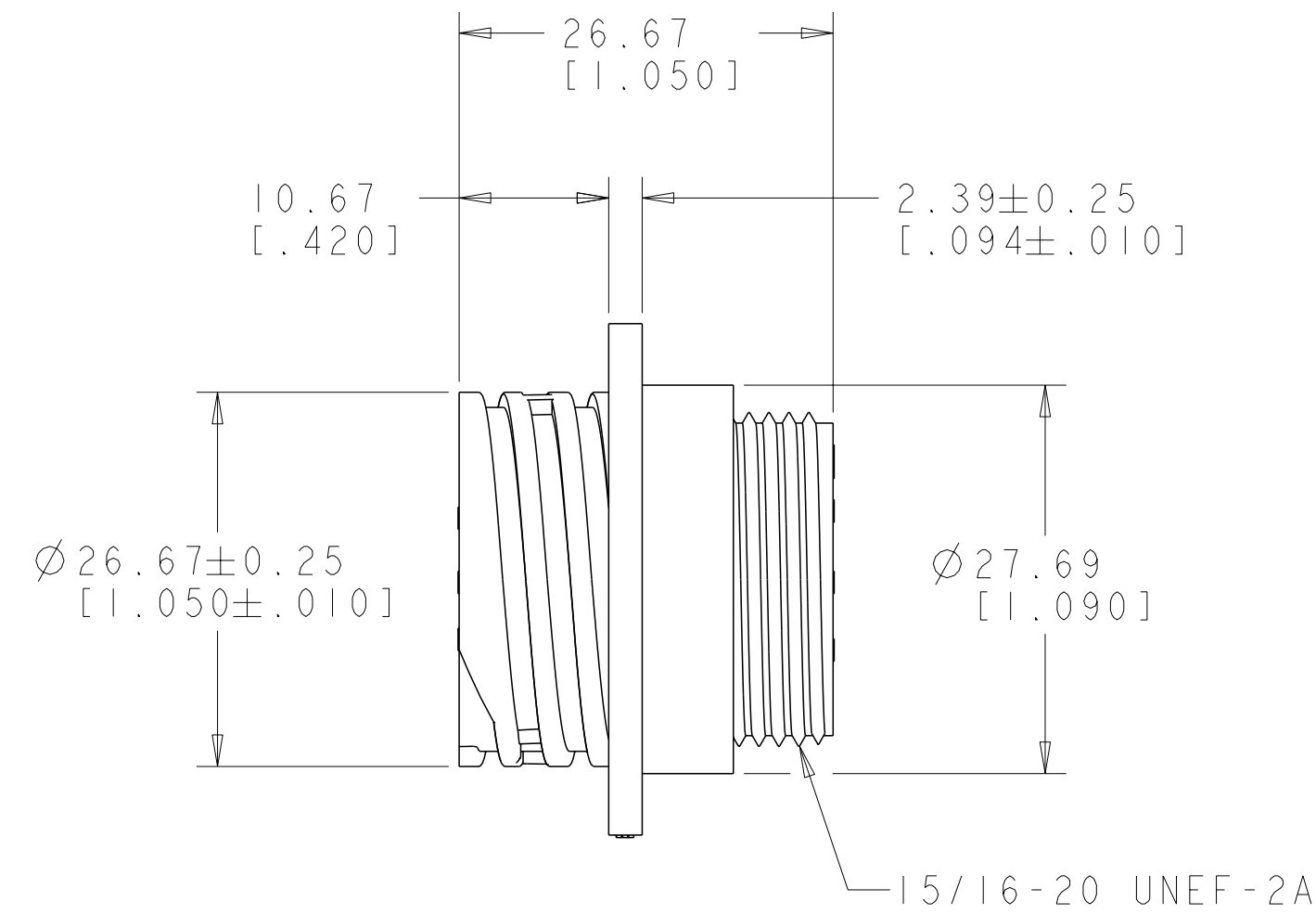
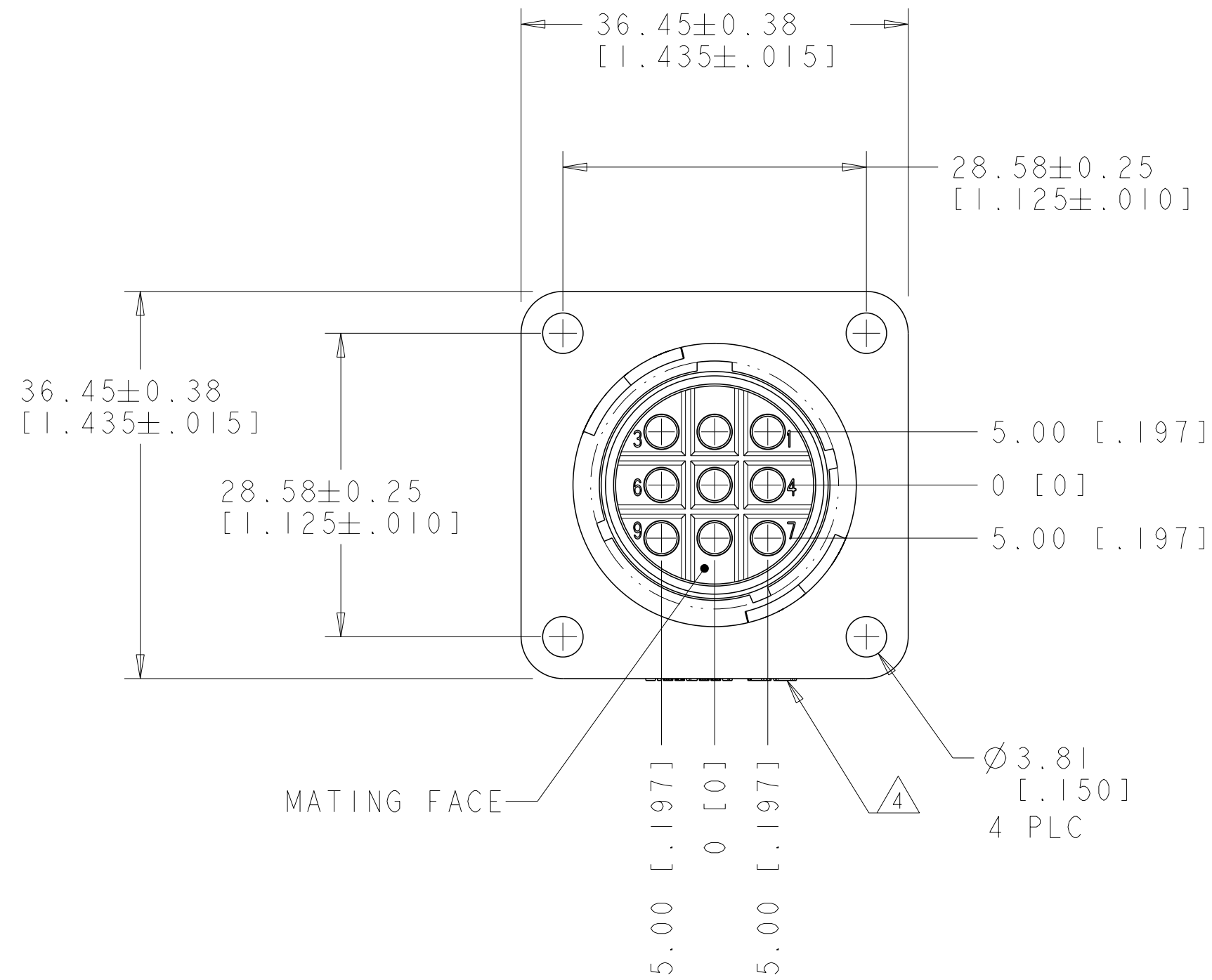


REVISIONS				
P	LTR	DESCRIPTION	DATE	APVD
C		REVISED PER ECO-21-006943	18OCT2021	RK MZ



RECOMMENDED PANEL CUTOUT  
 3.18[.125] MAX PANEL THICKNESS

- △ NYLON, BLACK.
- 2. HOUSING WILL ACCEPT NINE MULTIMATE SOCKET CONTACTS.
- 3. CAVITY IDENTIFICATION ON FRONT AND REAR FACE.
- △ TE LOGO AND PART NUMBER LOCATED ON ANY FLANGE EDGE

796439-2  
 PART NUMBER

THIS DRAWING IS A CONTROLLED DOCUMENT.		DWN S. WELDON 31MAR100		
DIMENSIONS: mm [INCHES]		CHK M. CHACKO 31MAR100		
TOLERANCES UNLESS OTHERWISE SPECIFIED:		APVD M. CHACKO 31MAR100	NAME RECEPTACLE HOUSING, SIZE 17-9, REVERSE SEX, CPC	
0 PLC ± 1 PLC ±0.1 2 PLC ±0.02 3 PLC ±0.005 4 PLC ±0.0005 ANGLES ± FINISH -		PRODUCT SPEC -	APPLICATION SPEC -	RESTRICTED TO -
MATERIAL △		WEIGHT -	SIZE A200779	CAGE CODE C-796439
CUSTOMER DRAWING		SCALE 2:1	SHEET 1 OF 1	REV C