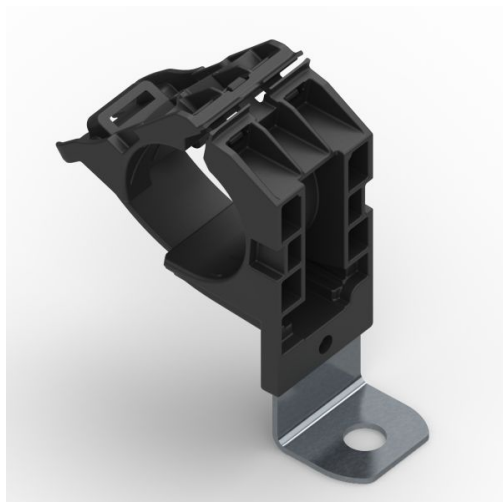


## Specification Sheet

Part Number: 151-02007



Ratchet P-Clamp, 0.76 - 1.42" Bundle Dia, 90° Long, .51" Hole Dia, PA66HIRHSUV/SS304, Black, 140/ctn

**Article Number**

151-02007

**Type**

RCC90LM12SS

**Color**

Black (BK)

**Features & Benefits**

- One-piece ratchet closure allows for easy installation during pre- or final assembly.
- Easy release feature simplifies quick adjustments and maintenance.
- Impact modified, heat and UV stabilized PA66 provides long-term durability, indoors and out.
- Stainless-steel mounting plate tolerates high torque and provides superior corrosion resistance against chemicals, salt spray and contact with dissimilar metals.
- Angled mounting plates are ideal for stacking RPCs or for avoiding obstructions or heat sources.

**Quantity Per**

carton

**Product Description**

The Ratchet P-Clamp family offers versatility when managing wires, cables and hoses. The robust design and durable materials make it ideal for heavy duty applications, both indoors and out. The one-piece adjustable clamp can be closed by hand to the desired diameter. The release feature provides easy and nondestructive removal of cables simply by using a flat-head screwdriver. This nondestructive release allows the clamp to be reused without removing or replacing any bolts or screws. The Ratchet P-Clamp is offered in four sizes and multiple mounting configurations.

**Short Description**

Ratchet P-Clamp, 0.76 - 1.42" Bundle Dia, 90° Long, .51" Hole Dia, PA66HIRHSUV/SS304, Black, 140/ctn

**Global Part Name**

RCC90LM12SS-PA66HIRHSUV/SS304-BK

**Minimum Tensile Strength (Imperial)**

100.0

**Minimum Tensile Strength (Metric)**

445.0

**Length L (Imperial)**

6.69

**Length L (Metric)**

169.8

**Fixation Method**

Screw Mounting

**Variant**

Long

**Width W (Imperial)**

1.37

**Width W (Metric)**

34.9

**Bundle Diameter Min (Imperial)**

0.76

**Bundle Diameter Min (Metric)**

19.4

**Bundle Diameter Max (Imperial)**

1.42

<b>Bundle Diameter Max (Metric)</b>	36.0
<b>Cable Tie Width Max (Imperial)</b>	0.52
<b>Cable Tie Width Max (Metric)</b>	13.2
<b>Mounting Hole Diameter D (Imperial)</b>	0.510
<b>Mounting Hole Diameter D (Metric)</b>	12.95 mm
<b>Mounting Hole Diameter D Max (Metric)</b>	12.95
<b>Stud Diameter (Metric)</b>	M12
<b>Mounting Hole Centers (Imperial)</b>	1.57
<b>Material</b>	Stainless Steel (SS304) Polyamide 6.6 high impact modified, heat and UV stabilized (PA66HIRHSUV)
<b>Material Shortcut</b>	SS304 PA66HIRHSUV
<b>Flammability</b>	UL 94 HB
<b>UV Resistant (Yes/No)</b>	Yes
<b>Operating Temperature (Metric)</b>	-40°F to +257°F (-40°C to +125°C)
<b>ROHS Complaint</b>	Yes
<b>UL Listed (US and Canada)</b>	Yes

**UL Listed (US)**

Yes

**Package Quantity(Imperial)**

140

**Package Quantity (Metric)**

140

**Customs Number**

3926909988