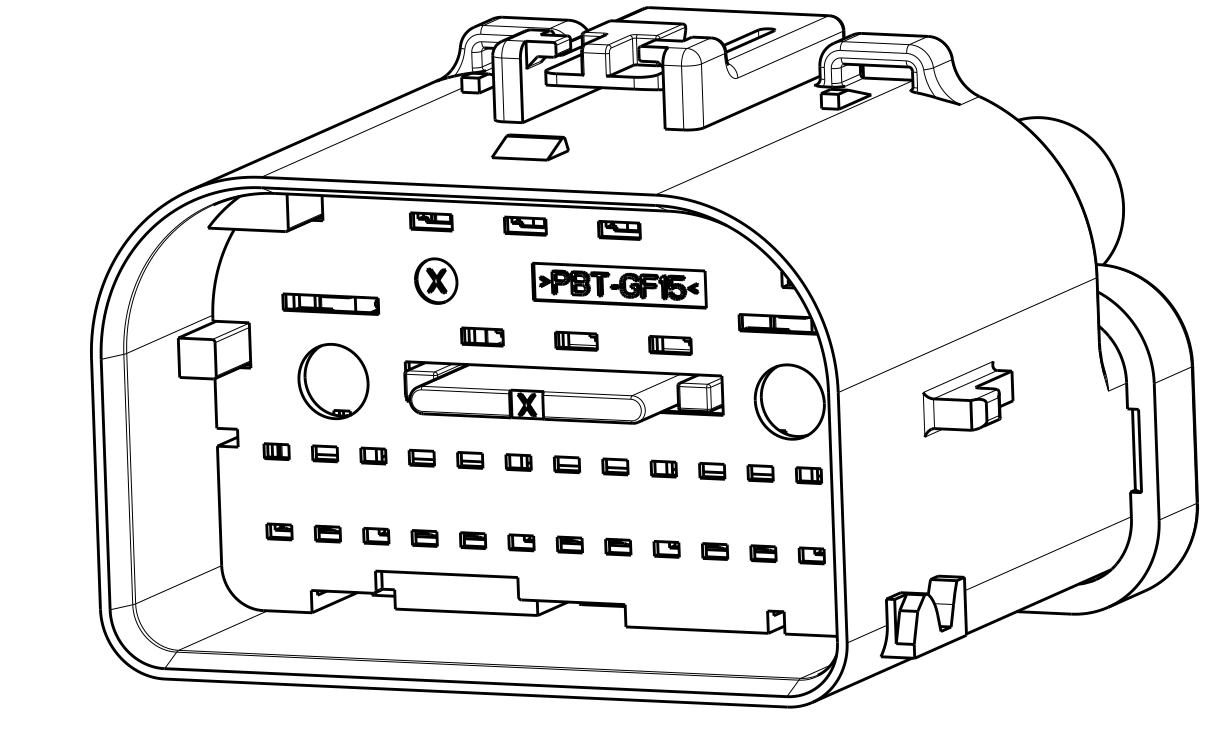
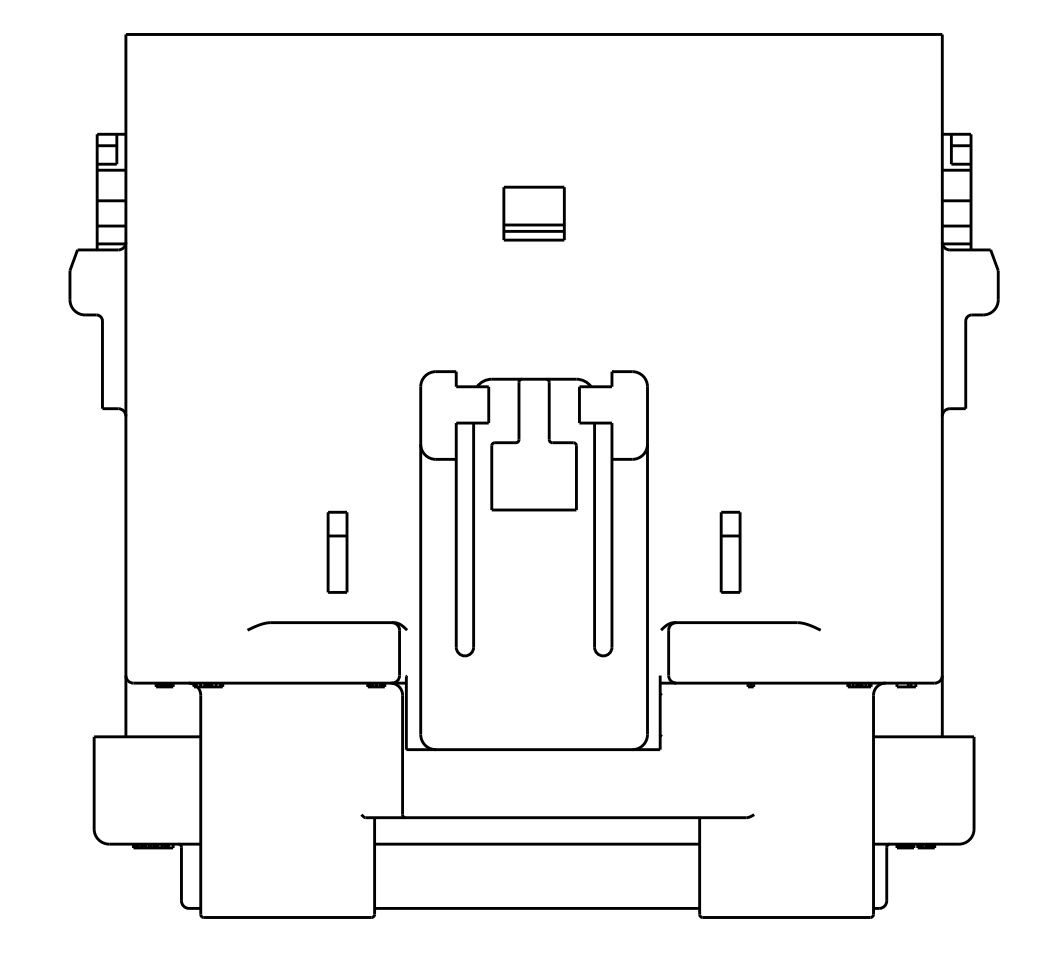


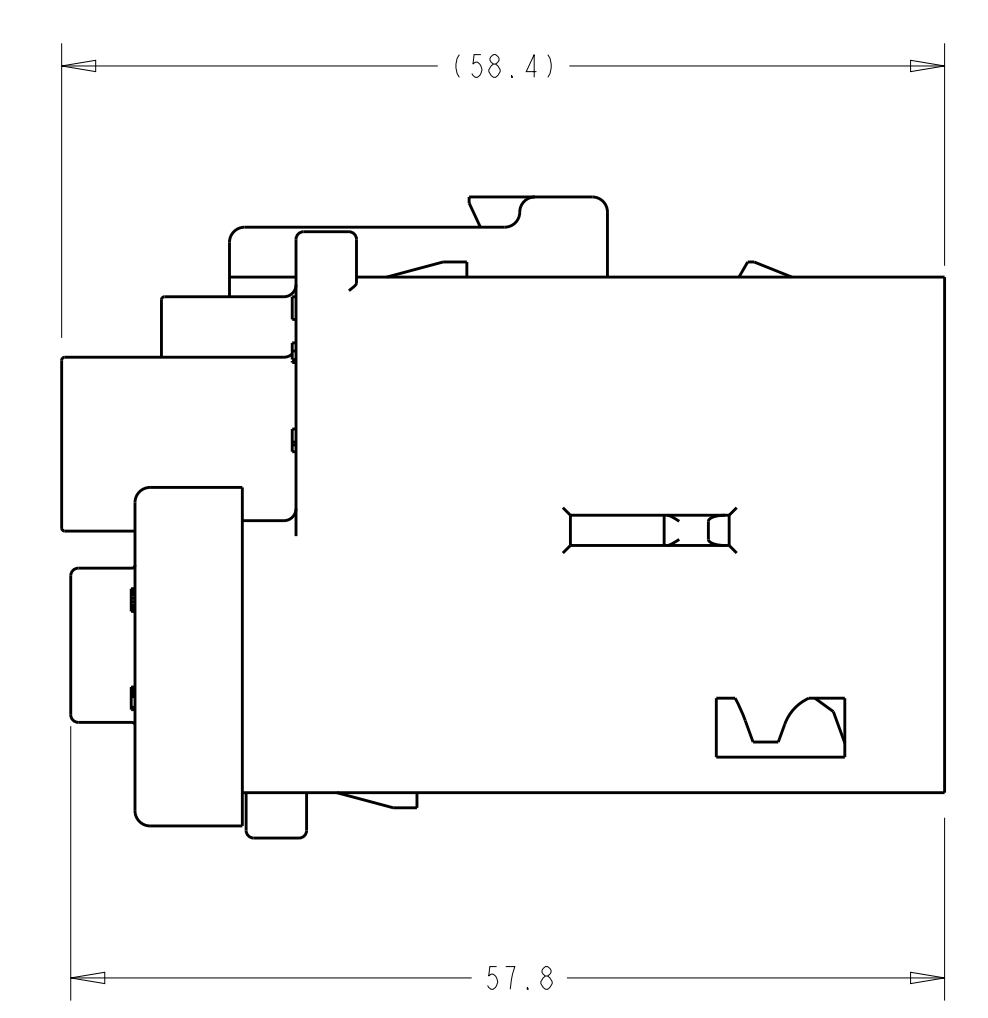
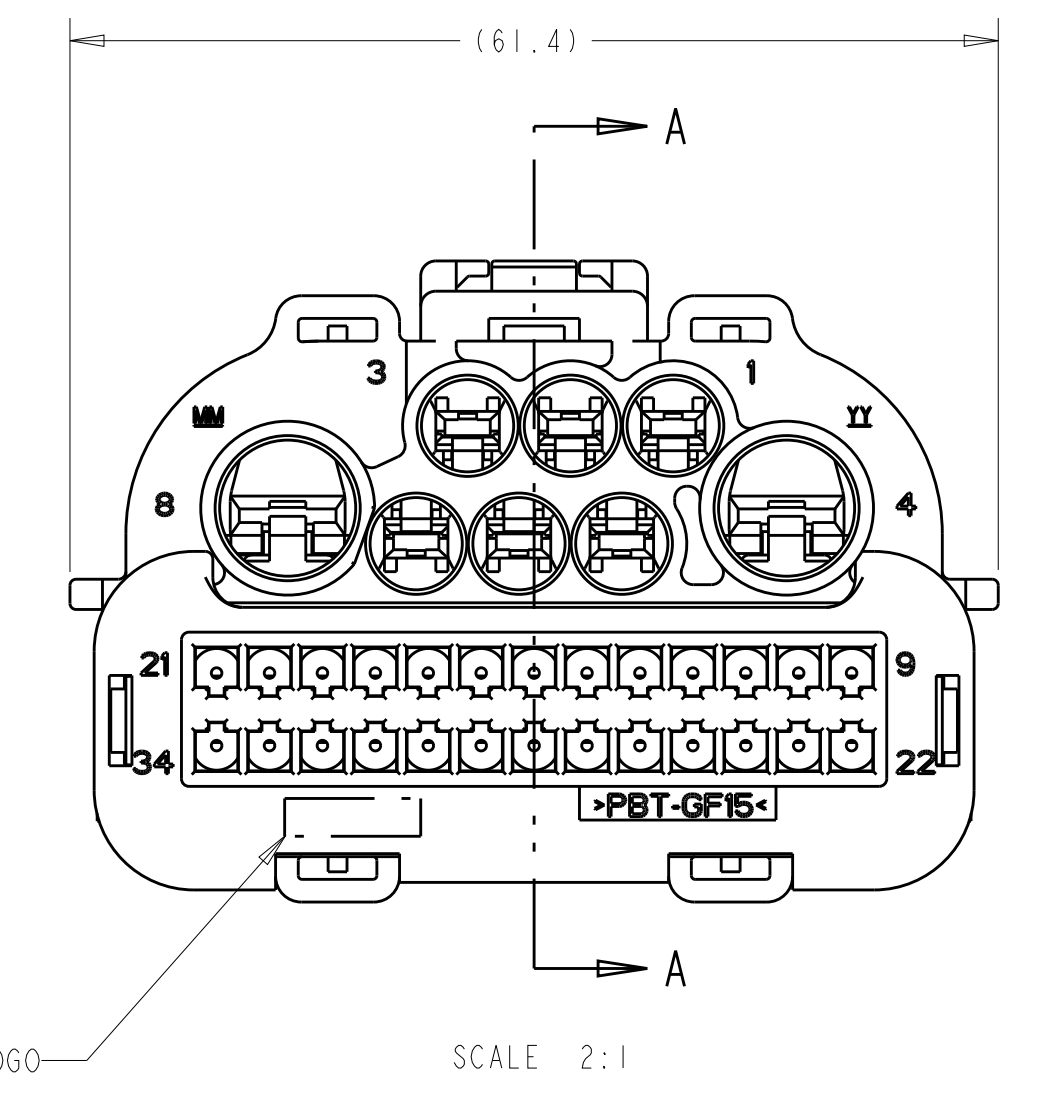
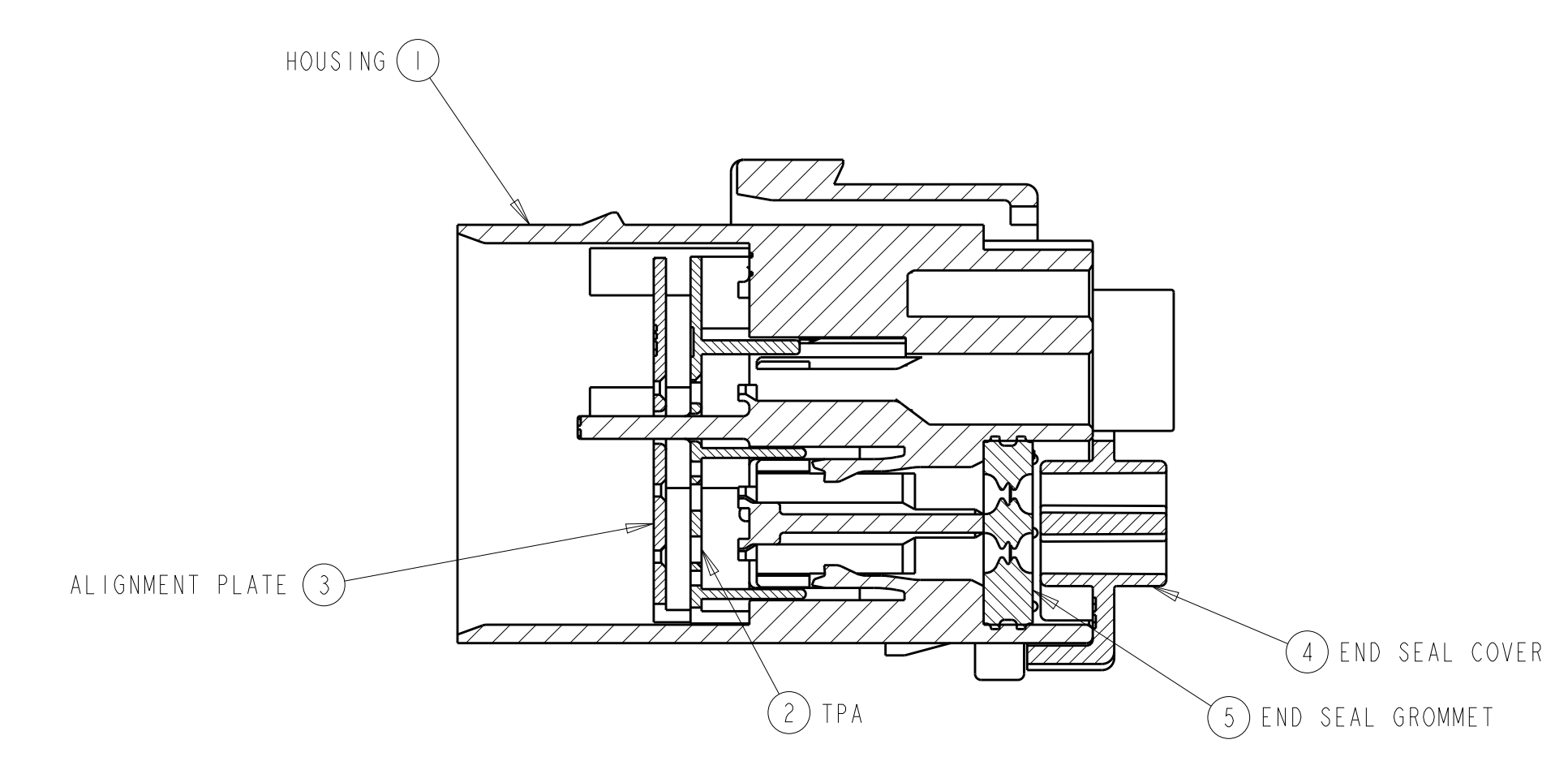
REVISIONS				
P	LV	DESCRIPTION	DATE	APPD
A44		REVISED PER ECO-19-006701	08/04/2019	JMS GR
A45		REVISED PER ECO-19-016392	08/02/2019	CN HC
A46		REVISED PER ECO-20-012737	14/02/2020	AP GR
A47		REVISED PER ECO-20-016542	2/02/2020	CN HC

LIST OF PARTS

QTY. REQUIRED		ITEM	DESCRIPTION	COLOR	SUPPLIER PART NUMBER	MATERIAL SPECIFICATION	RECYCLING CODE	WEIGHT (GRAM)
INDEX C	INDEX B							
-	-	1	HOUSING, KEYING OPTION 'A'	BLACK	0-1587054-1	30% GF PBT	>PBT-GF30<	TBD
-	1	-	HOUSING, KEYING OPTION 'B'	GRAY	0-1587054-2	30% GF PBT	>PBT-GF30<	TBD
1	-	-	HOUSING, KEYING OPTION 'C'	NATURAL	0-1587054-3	30% GF PBT	>PBT-GF30<	TBD
1	1	1	2	TPA	0-1587055-1	15% GF PBT	>PBT-GF15<	TBD
1	1	1	3	ALIGNMENT PLATE	0-1587056-1	15% GF PBT	>PBT-GF15<	TBD
1	1	1	4	END SEAL COVER	0-1587057-1	15% GF PBT	>PBT-GF15<	TBD
1	1	1	5	END SEAL COVER	0-1587057-3	15% GF PBT	>PBT-GF15<	TBD
1	1	1	6	END SEAL GROMMET	0-1587058-1	SILICON	>IMO<	TBD



- PART MUST CONFORM TO THE USCAR-2 SPECIFICATION, DATED 07/DEC/00 (REVISION 3).
 - 0.2mm MAXIMUM RADIUS PERMISSIBLE ON EDGES AND FILLETS SHOWN AS SHARP FOR PLASTIC PARTS.
 - PRODUCTION DATE CODE AND PINOUT CODE MUST BE LEGIBLE AND PERMANENTLY APPLIED WHEREVER PACKAGE SIZE PERMITS OR OTHER AGREEMENTS ARE MADE.
 - MATES WITH ASSEMBLY SHOWN ON DRAWING 1438841.
- ⚠ SEE TE INSTRUCTION SHEET 408-8911 FOR PROPER POSITIONING OF TPA AND TE INSTRUCTION SHEET 408-8832 FOR APPLICATION USE OF CONNECTOR SYSTEM.
- ⚠ TERMINAL CAVITIES 9-34 ARE RESTRICTED TO WIRE OD RANGE OF 1.20-2.34mm.
- ⚠ OBSOLETE PART
- ⚠ END SEAL COVER "ALL OPEN" IS PERMISSIBLE ONLY IN THE FOLLOWING TE P/N: 1438842-1, 1438842-2 AND 1438842-3.

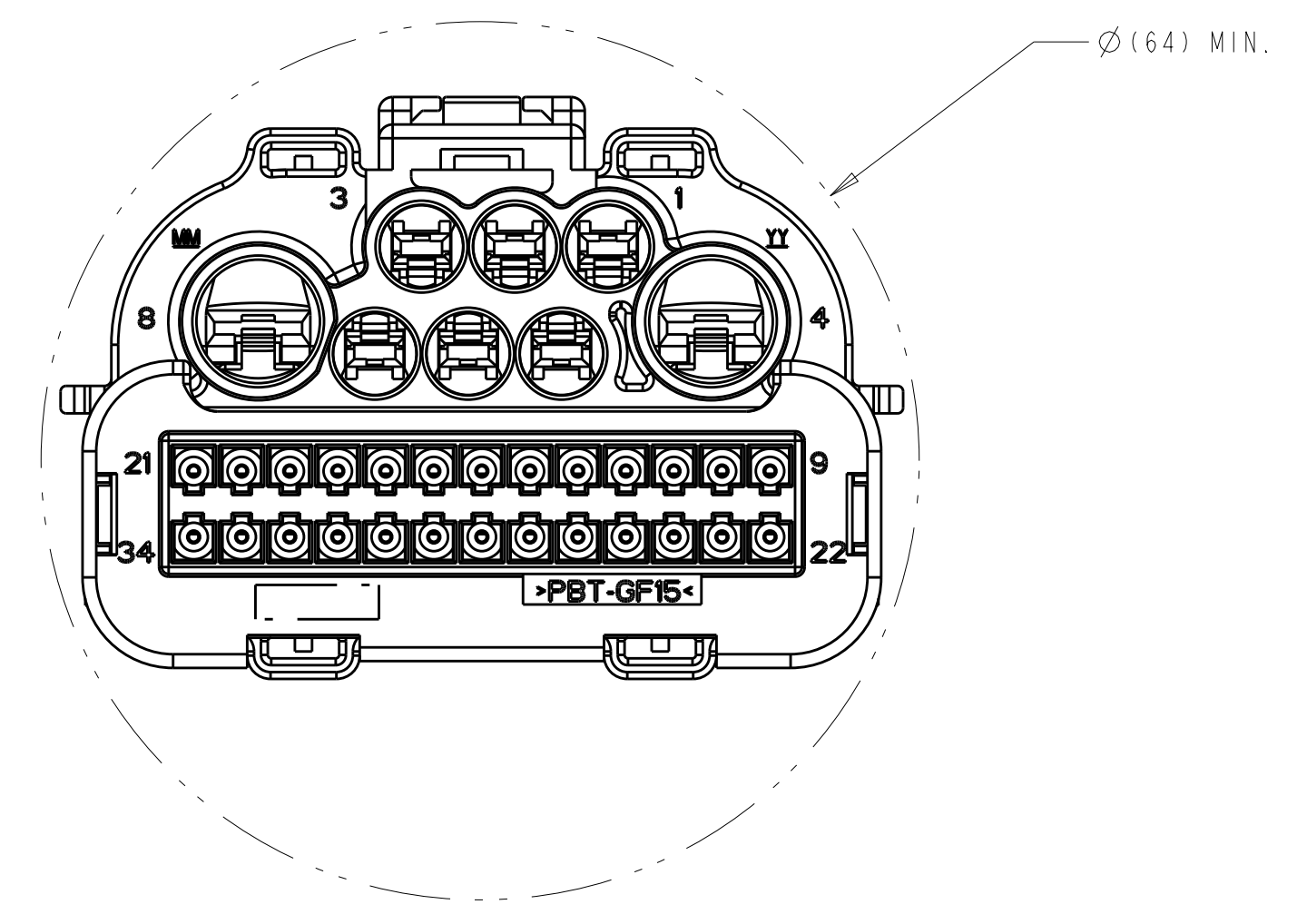


SECTION A-A
 TPA AND ALIGNMENT PLATE
 IN PRE-SEATED POSITION

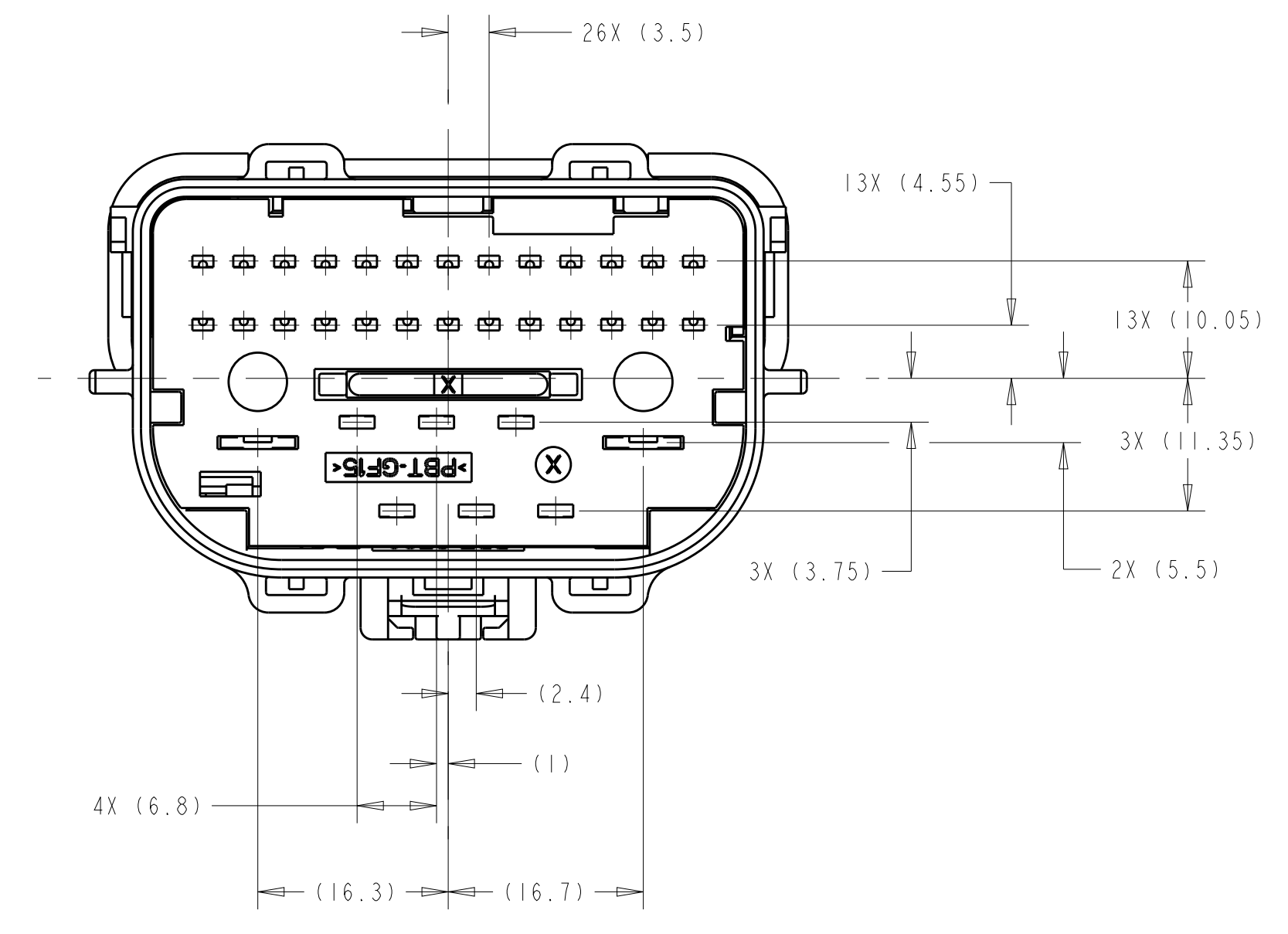
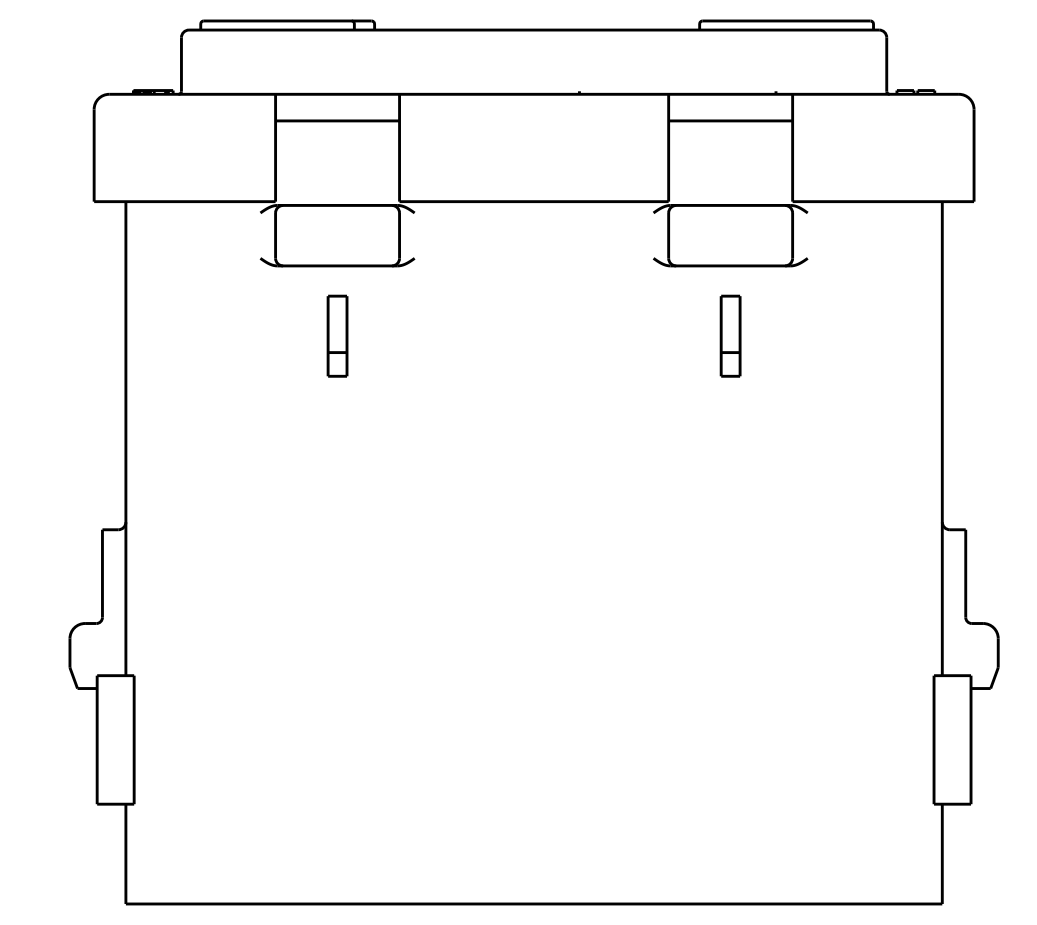
COMPANY LOGO
 SCALE 2:1

APPLICABLE COMPONENTS (FOR REFERENCE ONLY)				APPLICABLE WIRE SIZES (FOR REFERENCE ONLY)	COMPONENT MATING PART NUMBER
DESCRIPTION	COLOR/PLATING	SUPPLIER	SUPPLIER PART NUMBER		
TERMINAL - MALE 1.5mm	TIN	MOLEX	33000-0002	16 AWG 18-20 AWG OR METRIC EQUIVALENT	33012-2001 33012-2002
TERMINAL - MALE 1.5mm	TIN	MOLEX	33000-0003	22 AWG OR METRIC EQUIVALENT	33012-2003
TERMINAL - MALE 2.8mm	TIN	TE	1326031-2	20 AWG OR METRIC EQUIVALENT	1326032-2
TERMINAL - MALE 2.8mm	TIN	TE	1326031-3	18 AWG OR METRIC EQUIVALENT	1326032-3
TERMINAL - MALE 2.8mm	TIN	TE	1326031-4	16 AWG OR METRIC EQUIVALENT	1326032-4
TERMINAL - MALE 2.8mm	TIN	TE	1326031-5	14 AWG OR METRIC EQUIVALENT	1326032-5
TERMINAL - MALE 2.8mm	TIN	TE	1-1326031-1	12 AWG OR METRIC EQUIVALENT	1326032-6
CABLE SEAL - 2.8mm	GREEN	YAZAKI	7158-3111-60	1.2-1.9mm WIRE O.D.	N/A
CABLE SEAL - 2.8mm	YELLOW	YAZAKI	7158-3112-70	1.8-2.3mm WIRE O.D.	N/A
CABLE SEAL - 2.8mm	WHITE	YAZAKI	7158-3113-40	2.1-3.0mm WIRE O.D.	N/A
CABLE SEAL - 2.8mm	LT GRAY	YAZAKI	7158-3110-40	3.1-3.3mm WIRE O.D.	N/A
TERMINAL - MALE 6.3mm	TIN	YAZAKI	7114-4140-02	20-16 AWG OR METRIC EQUIVALENT	7116-4140-02
TERMINAL - MALE 6.3mm	TIN	YAZAKI	7114-4141-02	14 AWG OR METRIC EQUIVALENT	7116-4141-02
TERMINAL - MALE 6.3mm	TIN	YAZAKI	7114-4142-02	12 AWG OR METRIC EQUIVALENT	7116-4142-02
TERMINAL - MALE 6.3mm	TIN	YAZAKI	7114-4143-02	10 AWG OR METRIC EQUIVALENT	7116-4143-02
CABLE SEAL - 6.3mm	RED	YAZAKI	7158-3081-50	1.4-2.3mm WIRE O.D.	N/A
CABLE SEAL - 6.3mm	BLUE	YAZAKI	7158-3082-90	2.1-3.0mm WIRE O.D.	N/A
CABLE SEAL - 6.3mm	BLACK	YAZAKI	7158-3083	3.0-3.8mm WIRE O.D.	N/A
CABLE SEAL - 6.3mm	LT GRAY	YAZAKI	7158-3084-40	3.8-4.05mm WIRE O.D.	N/A
CAVITY PLUG - 2.8mm	BLUE	YAZAKI	7158-3114-90	N/A	N/A
CAVITY PLUG - 6.3mm	GREEN	YAZAKI	7158-3080-60	N/A	N/A

NOTE: SEE SUPPLIER DRAWINGS FOR LATEST INFORMATION AND CRIMP SPECIFICATIONS.



MIN. FEED THRU CONDITION
 WITH 1mm CLEARANCE ALL AROUND
 SCALE 2:1



THIS DRAWING IS A CONTROLLED DOCUMENT. DATE: 02/02/2020. DRAWN BY: DRUMMOND. CHECKED BY: COBLE. APPROVED BY: COBLE. PRODUCT SPEC: CAP ASSEMBLY, 34 WAY, SEALED, HYBRID, MALE. SIZE: 00779. CASE CODE: 1438842. SHEET 1 OF 5. REV A.47

