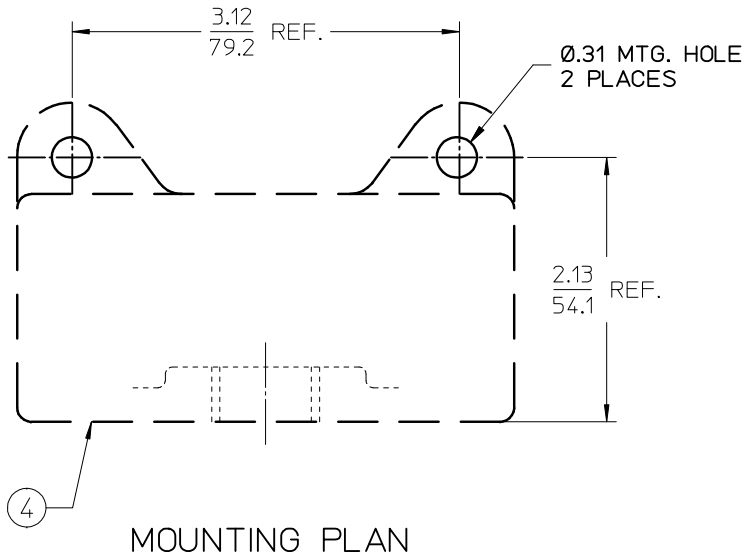
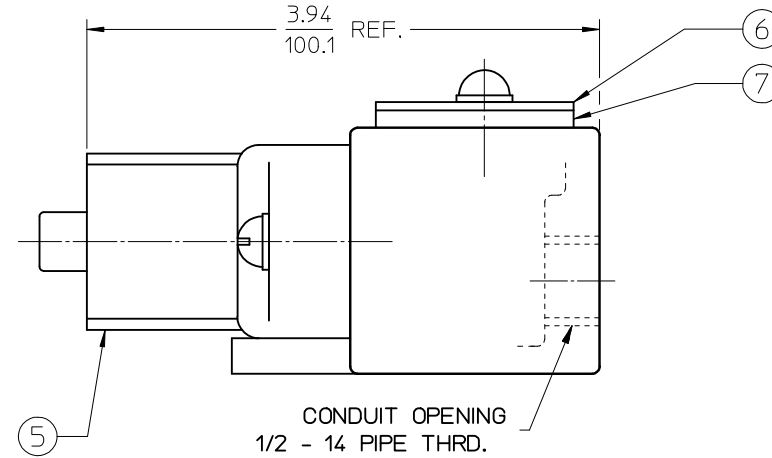
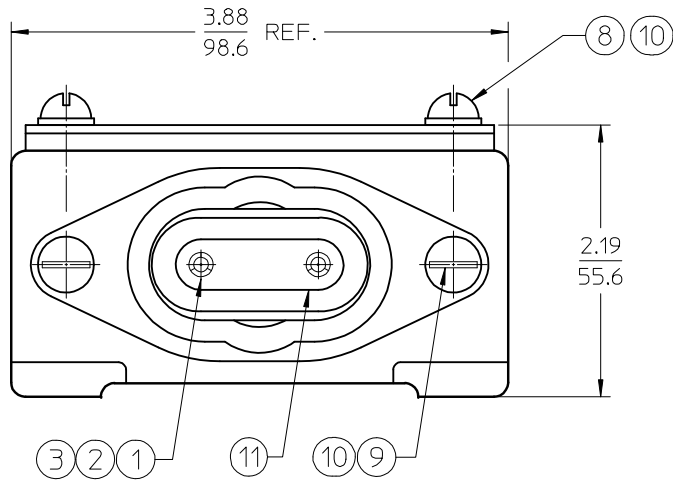


MATERIAL NO.	ENGINEERING NO.	ELECTRICAL RATING
1300190006	22806	VOLTAGE: 600VAC, CURRENT: 25 AMPS



ITEM	QTY.	DESCRIPTION	MATERIAL	FINISH
11	A/R	OVERMOLD	PVC	YELLOW
10	4	LOCKWASHER	STEEL	ZINC PLATED
9	2	SCREW, 1/4-20 X 1.00"-ROUND HEAD	STEEL	ZINC PLATED
8	2	SCREW, 1/4-20 X 3/8"-ROUND HEAD	STEEL	ZINC PLATED
7	1	GASKET	NEOPRENE	
6	1	PLATE	ALUMINUM	
5	1	MOUNTING SHELL	ALUMINUM	
4	1	MOUNTING BASE	ALUMINUM	
3	2	8-32 SCREW	BRASS	
2	2	CUPPED WASHER	BRASS	NICKEL PLATE
1	2	SOCKET ASSY, 3/16 DIA	BRASS	

NEW SALES DOC EC NO: ICG2013-0880 DRAWN BY: DRWHRSTONE 2013/01/21 CHECKED BY: JOZWIK 2013/01/25 APPR: JFMURPHY 2013/03/01	QUALITY SYMBOLS	GENERAL TOLERANCES (UNLESS SPECIFIED)	DIMENSION STYLE	SCALE	DESIGN UNITS	THIRD ANGLE PROJECTION
	▼=0 ▽=0	mm INCH 4 PLACES ± --- ± --- 3 PLACES ± --- ± --- 2 PLACES ± --- ± .02 1 PLACE ± 0.5 ± --- 0 PLACE ± --- ± ---	IN/MM	1:1	INCH	
	DRAWN BY: RSTONE 2013/01/21 CHECKED BY: K. JOZWIK 2013/01/25 APPROVED BY: JFMURPHY 2013/03/01	ANGULAR ± 2 ° DRAFT WHERE APPLICABLE MUST REMAIN WITHIN DIMENSIONS	MATERIAL NO. SEE CHART	TITLE DIE BLOCK-CAST RECEPT. FEMALE STATIONARY CONN. 2 POLE YELLOW	DOCUMENT NO. SD-130019-003	SHEET NO. 1 OF 1
	SIZE B	THIS DRAWING CONTAINS INFORMATION THAT IS PROPRIETARY TO MOLEX INCORPORATED AND SHOULD NOT BE USED WITHOUT WRITTEN PERMISSION				