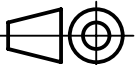
	All rights reserved		Created by FINKEV		Inspected by GERB		Standardisation TIEMANNA		Date 2019-07-22		State Final Release	
	Department EL PD		Title Han 3Ex-C-Metal f. HBM with seal		Doc-Key / ECM-Nr. 100196830/UGD/003/B 50000014.8900		Rev. B		Page 1/1			
HARTING Electric GmbH & Co. KG D-32339 Espelkamp			Type TB		Number 09 36 003 5405							
 All Dimensions in mm Original Size DIN A4			Scale 2:1		Free size tol.				Ref. Sub.			