

8 7 6 5 4 3 2 1
THIS DRAWING IS THE PROPERTY OF ANALOG DEVICES INC. IT IS NOT TO BE REPRODUCED OR COPIED, IN WHOLE OR IN PART, OR USED IN FURNISHING INFORMATION TO OTHERS, OR FOR ANY OTHER PURPOSE DETRIMENTAL TO THE INTERESTS OF ANALOG DEVICES. THE EQUIPMENT SHOWN HEREON MAY BE PROTECTED BY PATENTS OWNED OR CONTROLLED BY ANALOG DEVICES.

JUMPER TABLE		
JP#	ON	OFF
1		
2		
3		
4		
5		

REVISIONS			
REV	DESCRIPTION	DATE	APPROVED
A	INITIAL RELEASE	28NOV18	J.VIERNES
B	AS PER ECR-086420	26APR19	J.VIERNES

RELAY CONTROL CHART

CONTROL	CODE	DEVICE	FUNCTION	CONNECTOR

* SEE ASSEMBLY INSTRUCTIONS

SCHEMATIC

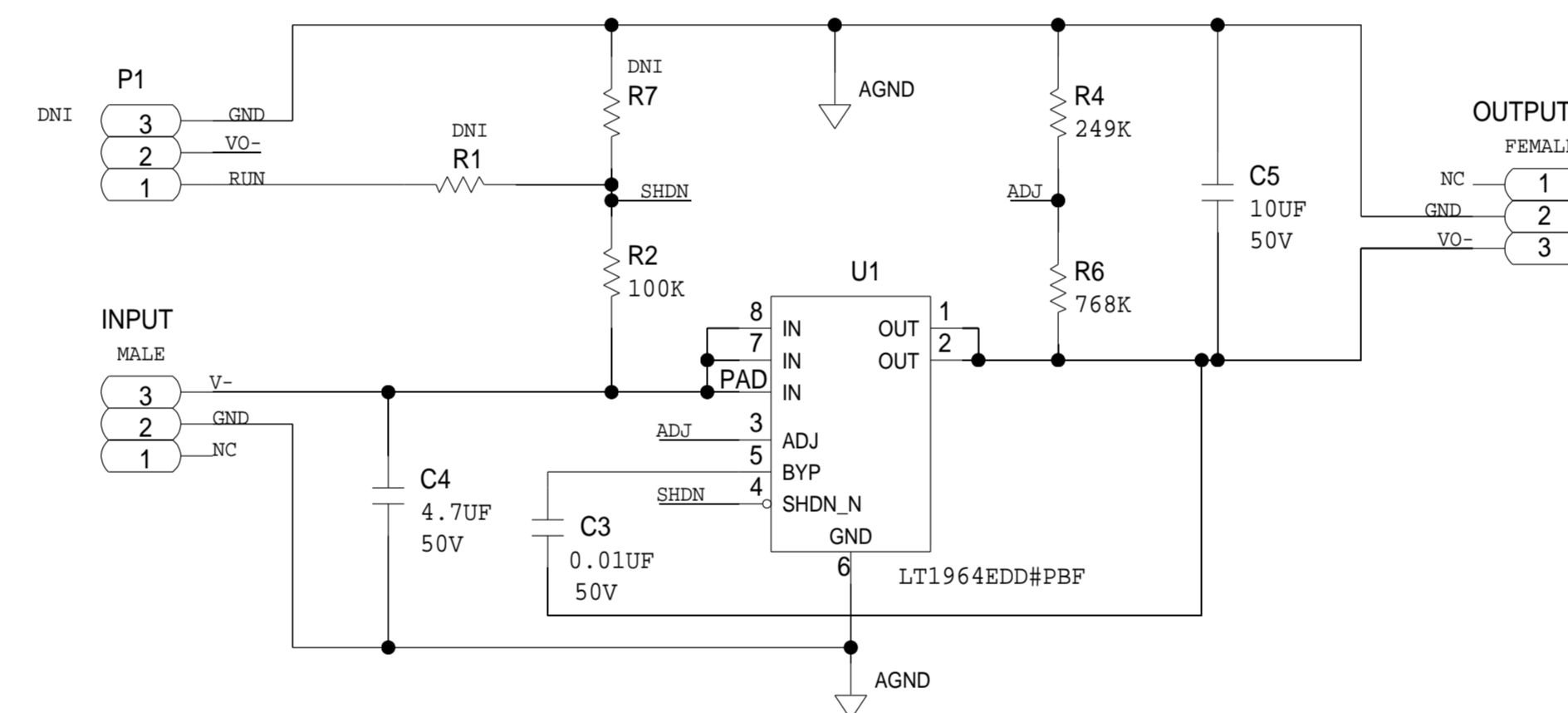
TEMPLATE ENGINEER	DATE
-	N/A
HARDWARE SERVICES	
-	N/A
HARDWARE SYSTEMS	
-	N/A
TEST ENGINEER	
N/A	N/A
COMPONENT ENGINEER	
A.AGENA	28NOV18
TEST PROCESS	
N/A	N/A
HARDWARE RELEASE	
K.JABATAN	28NOV18
DESIGNER	
J.M.PLAZA	28NOV18
PTD ENGINEER	
J.VIERNES	28NOV18
CHECKER	
J.VIERNES	28NOV18

ANALOG DEVICES	
HW TYPE : SCP EVAL-Z	
Product(s): LT1964	
: LT1964	
PACKAGE : 6-lead 2.8X3.0_MM TSOT-family	
: Pitch-pitch StyleVendor Style	
<User Define>	
<User Define>	
<User Define>	
MASTER PROJECT TEMPLATE	TESTER TEMPLATE
TBD	no_template
DRAWING NO. 02_051166	
REV. B	
UNLESS OTHERWISE SPECIFIED DIMENSIONS ARE IN INCHES	
TOLERANCES	
DECIMALS X.XX +0.010 X.XXX +0.005	FRACTIONS +1/32
ANGLES +2	SIZE D
SCALE 1:1	CODE ID NO. CodeID
SHEET 1 OF 2	

P.O SPEC.	BK/BD SPEC.	SOCKET OEM	OEM PART#	HANDLER

REVISIONS			
REV	DESCRIPTION	DATE	APPROVED

LT1964



	SCHEMATIC		
	HW TYPE : SCP EVAL-Z Product(s) : LT1964 : LT1964		
	DESIGN VIEW <DESIGN_VIEW>	DRAWING NO. 02_051166	REV B
	PTD ENGINEER J. VIERNES	SIZE D SCALE 1:1 SHEET 2 OF 2	