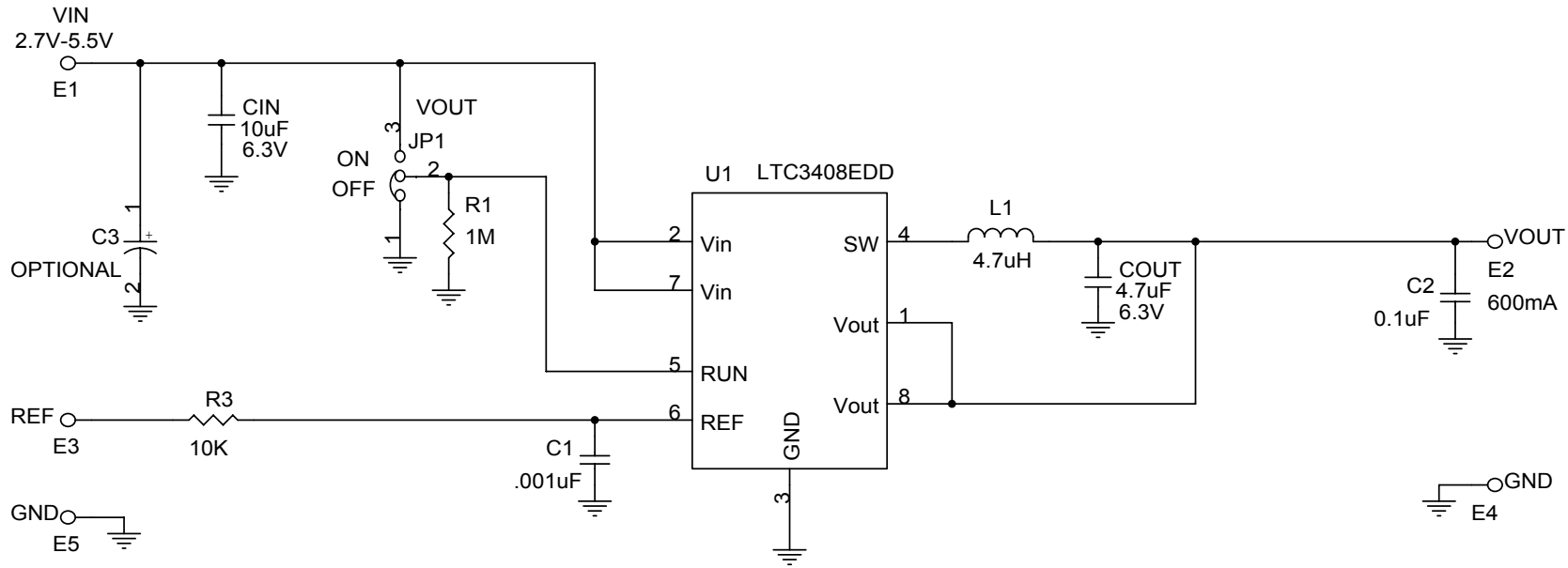



This circuit is proprietary to Linear Technology and supplied for use with Linear Technology parts.
Customer Notice: Linear Technology has made a best effort to design a circuit that meets customer-supplied specifications; however, it remains the customer's responsibility to verify proper and reliable operation in the actual application. Component substitution and printed circuit board layout may significantly affect circuit performance or reliability. Contact Linear Applications Engineering for assistance.

REVISION HISTORY				
ECO	REV	DESCRIPTION	DATE	APPROVED
	1	PROTO	02/07/03	



CONTRACT NO.		 LINEAR TECHNOLOGY 1630 McCarthy Blvd. Milpitas, CA 95035 Phone: (408)432-1900 Fax: (408)434-0507	
APPROVALS	DATE		
DRAWN MEI	07/30/02	TITLE	
CHECKED		LTC3408EDD, WCDMA CELLULAR PHONE BUCK REGULATOR	
APPROVED		SIZE	CAGE CODE
ENGINEER		DWG NO	REV
DESIGNER		DC645A	1
Friday, October 31, 2003	SCALE:	FILENAME: 645A-1.DSN	SHEET 1 OF 1