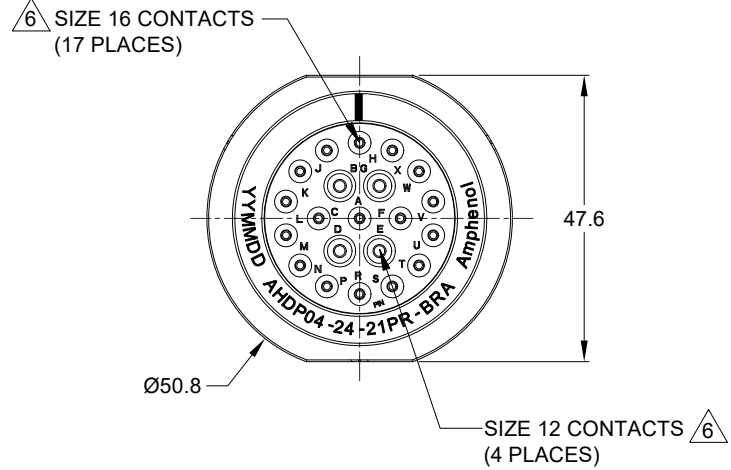
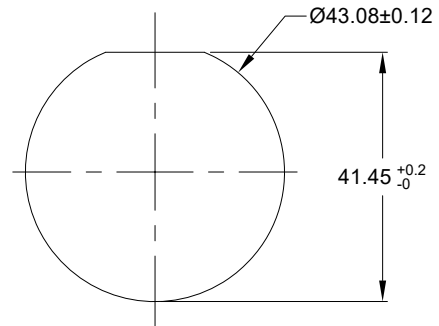


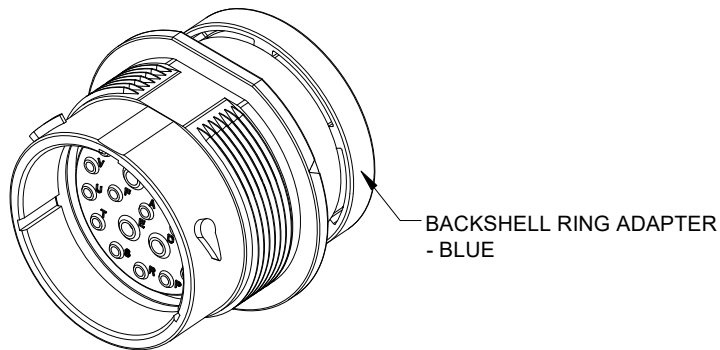
REVISIONS					
REV	ECO	DESCRIPTION	DATE	BY	APPR
A1		RELEASE NEW DRAWING	01MAR22	VITO	TOMMY



- NOTES: UNLESS OTHERWISE SPECIFIED
- MATERIAL:  
HOUSING: THERMOPLASTIC; BLACK  
SEAL: SILICONE RUBBER
  - MODIFICATIONS: BACKSHELL RING ADAPTER (BRA);  
REDUCED DIA. WIRE SEAL.
  - SPECIFICATIONS:
    - OPERATING TEMPERATURE: -55°C TO +125°C.
    - DIELECTRIC WITHSTANDING VOLTAGE: LESS THAN 2 MILLIAMPS CURRENT LEAKAGE @ 1500 VOLTS AC.
    - INSULATION RESISTANCE: 1000 MEGOHM MIN @ 25°C.
    - MOISTURE RESISTANCE:  
IP68 (IM OF WATER FOR A PERIOD OF 24 HOURS, MATED CONDITION);  
IP69K (MATED CONDITION)
    - MATING CYCLE DURABILITY: 100 CYCLES
    - RoHS COMPLIANT
  - MATING PART: AHDP06-24-21S\* (\* = SEAL TYPE)
  - ALL DIMENSIONS ARE FOR REFERENCE USE ONLY.



RECOMMENDED PANEL MOUNTING HOLE  
RECOMMENDED PANEL THICKNESS: 1.6 TO 4.7MM



△ CONTACT SIZE AND WIRE RANGE:

CONTACT SIZE	MIN. INSUL O.D.	MAX. INSUL O.D.	TYPICAL WIRE RANGE	CURRENT RATING
12	2.46 mm (.097in)	4.01 mm (.158 in)	10-14 AWG (6.0-2.0mm <sup>2</sup> )	25 AMPS
16	1.35 mm (.053 in)	3.05 mm (.120 in)	14-20 AWG (2.0-0.5mm <sup>2</sup> )	13 AMPS

7. RECEPTACLE IS SUPPLIED WITH DUST CAP.

AHDP04-24-21PR-BRA		REF:HDP24-24-21PE-L017	
QUANTITY	PART NUMBER	DESCRIPTION	ITEM
MATERIALS LIST			
<b>UNLESS OTHERWISE SPECIFIED</b> 1) All dimensions are in metric (mm). 2) Tolerances are as follows: 1 PL DEC ±0.30 Fractions ±1/64 2 PL DEC ±0.15 Angles ±1° 3 PL DEC ±0.08 3) Note reference = △		<b>SIGNATURES DATE</b> DRAWN: VITOLI 01MAR22 CHECKED: SULLENZHANG 02MAR22 ENGINEER: APPROVAL: TOMMY XIE 03MAR22 CUSTOMER:	
MATERIAL SPECIFICATIONS: <b>WEIGHT: 54.0g</b>		<b>Amphenol</b> Sine Systems - www.amphenol-sine.com 44724 Morley Drive Clinton Township, MI 48036 21POS, RECEPTACLE, PIN, SIZE 24, RD SEAL, BRA, DURAMATE AHDP	
PROCESS SPECIFICATIONS: NEXT ASSY:		THIS DRAWING IS SUPPLIED FOR INFORMATION ONLY. DESIGN FEATURES, SPECIFICATIONS AND PERFORMANCE DATA SHOWN HEREON ARE THE PROPERTY OF THE AMPHENOL CORPORATION. NO RIGHTS OF REPRODUCTION ARE IMPLIED. ALL DIMENSIONS ARE SUBJECT TO NORMAL MANUFACTURING VARIATIONS.	
SIZE: <b>B</b> TYPE: <b>C-</b> SCALE: NONE		DWG NO: <b>AHDP04-24-21PR-BRA</b> REVISION: <b>A1</b> SCALE: NONE DURAMATE SHEET 1 OF 1	

TITLE: 21POS RECEPTACLE PIN SIZE 24, RD SEAL, BRA, DURAMATE AHDP  
 DWG NO: AHDP04-24-21PR-BRA  
 REV: A1  
 SH: 1  
 OF: 1