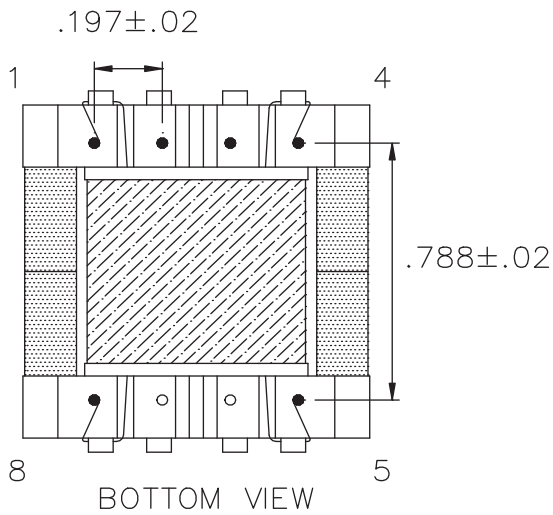
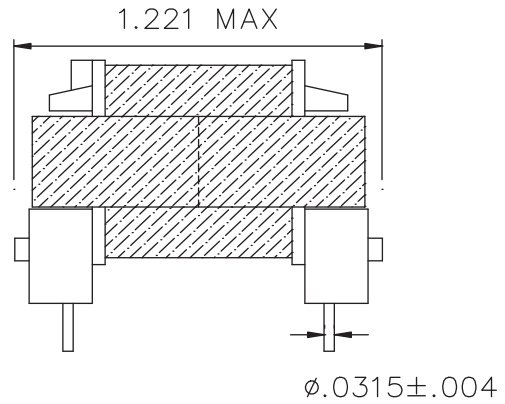
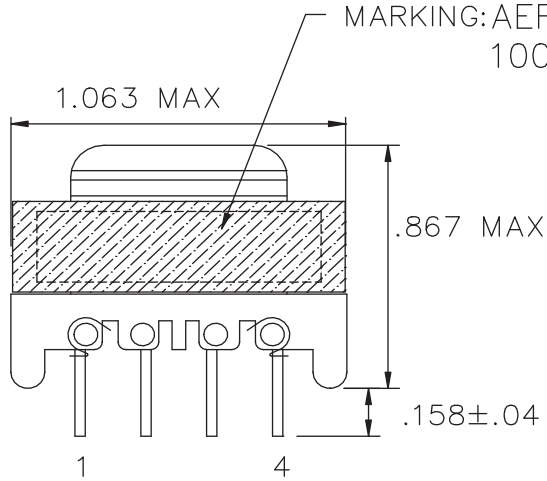
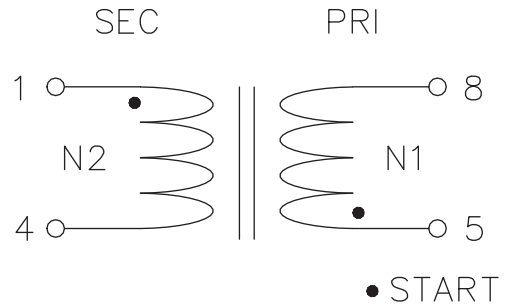


DIMENSION:UNIT: inch

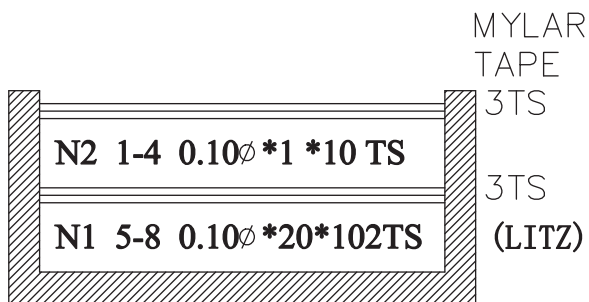
Allied
MARKING: AEF25-4015
10043132 Rev_1



SCHEMATIC



WINDING



NOTE:
1. PIN 6,7 CUT OFF.
2. CORE FIX TAPE 2TS.



ELECTRICAL SPECIFICATIONS: ALL TEST@25°C

1. INDUCTANCE: 1KHz/1V HP-4284A or MICROTese 6377

5 - 8 : 0.7 mH \pm 10%

2. DCR: CH-502A (@25°C)

5 - 8 : 0.8 OHM MAX.

1 - 4 : 1.9 OHM MAX

3. HI-POT TEST :

PRI TO SEC : AC 1000V 3mA FOR 2 SECOND.

PRI TO CORE : AC 600V 3mA FOR 2 SECOND.

SEC TO CORE : AC 600V 3mA FOR 2 SECOND.

4. GAP : CORE CENTER GAP.