

A


B

C

D

ADuCM4x50 LFCSP EZ – KIT

Schematic

| | | | |
|---------------------------------------------------------------------------------------|----------|----------------------------------------------------------------|------------|
|  | | 2 Elizabeth Drive Chelmsford, MA 01824 PH: 1-800-ANALOGD | |
| Title | | ADuCM4x50 LFCSP EZ – KIT | |
| Size C | | Board No. A0802-2016 | Rev 1.1 |
| Date | 02/28/17 | Sheet | 1 of 10 |

A

B

C

D

1

1

2

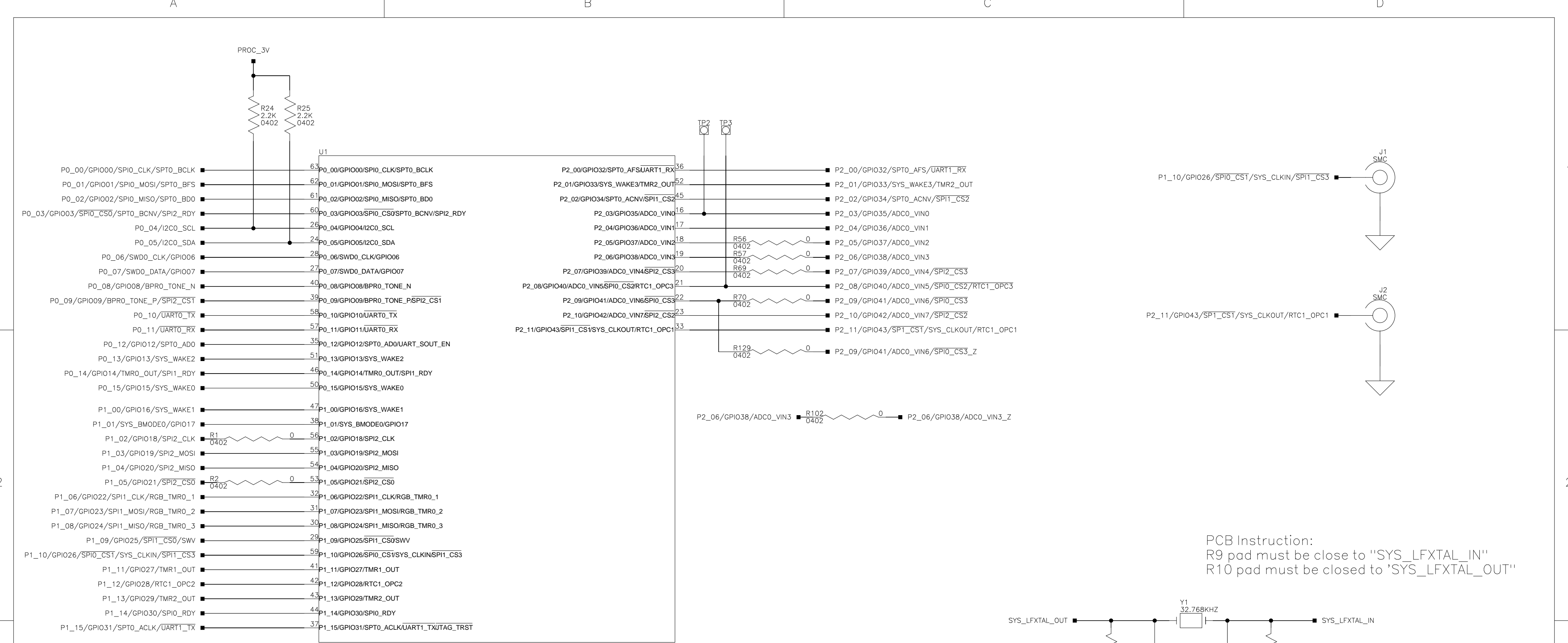
2

3

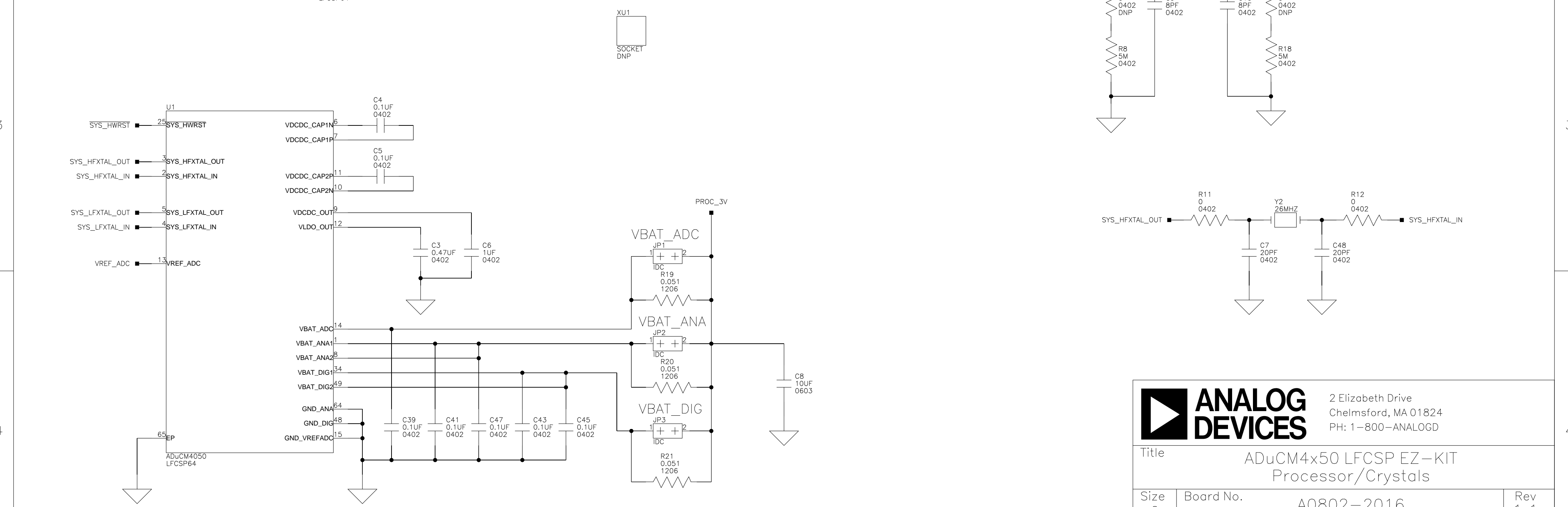
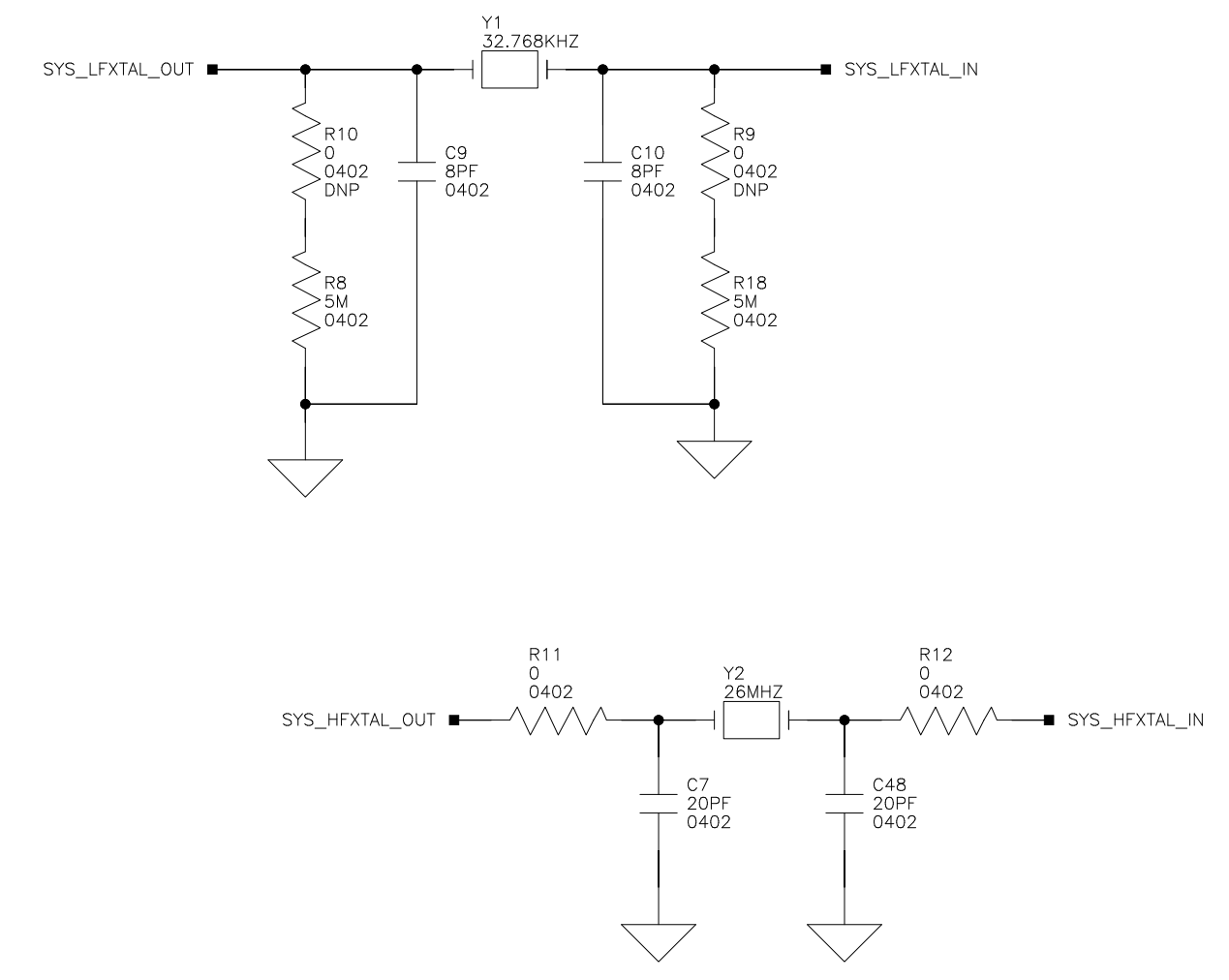
3

4

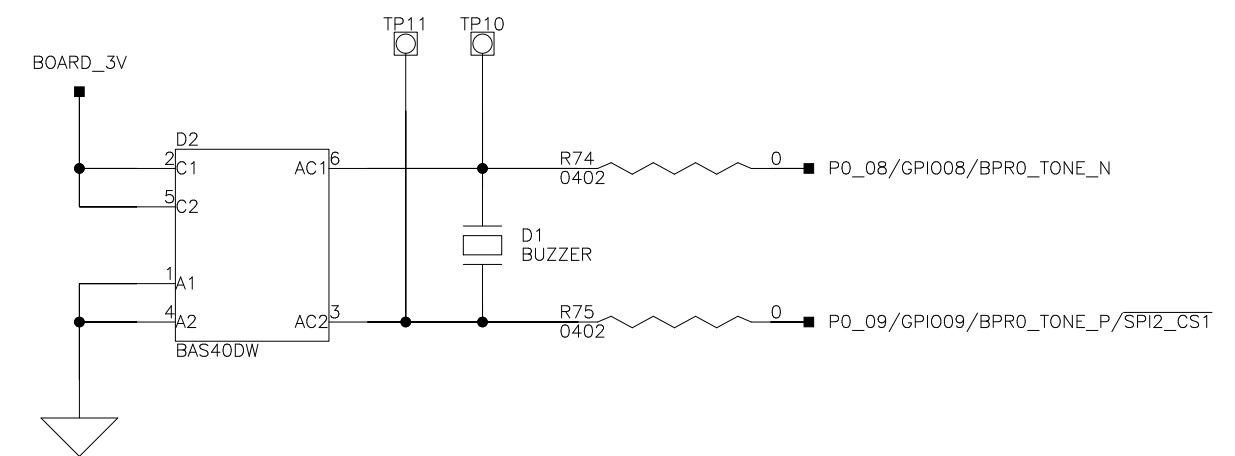
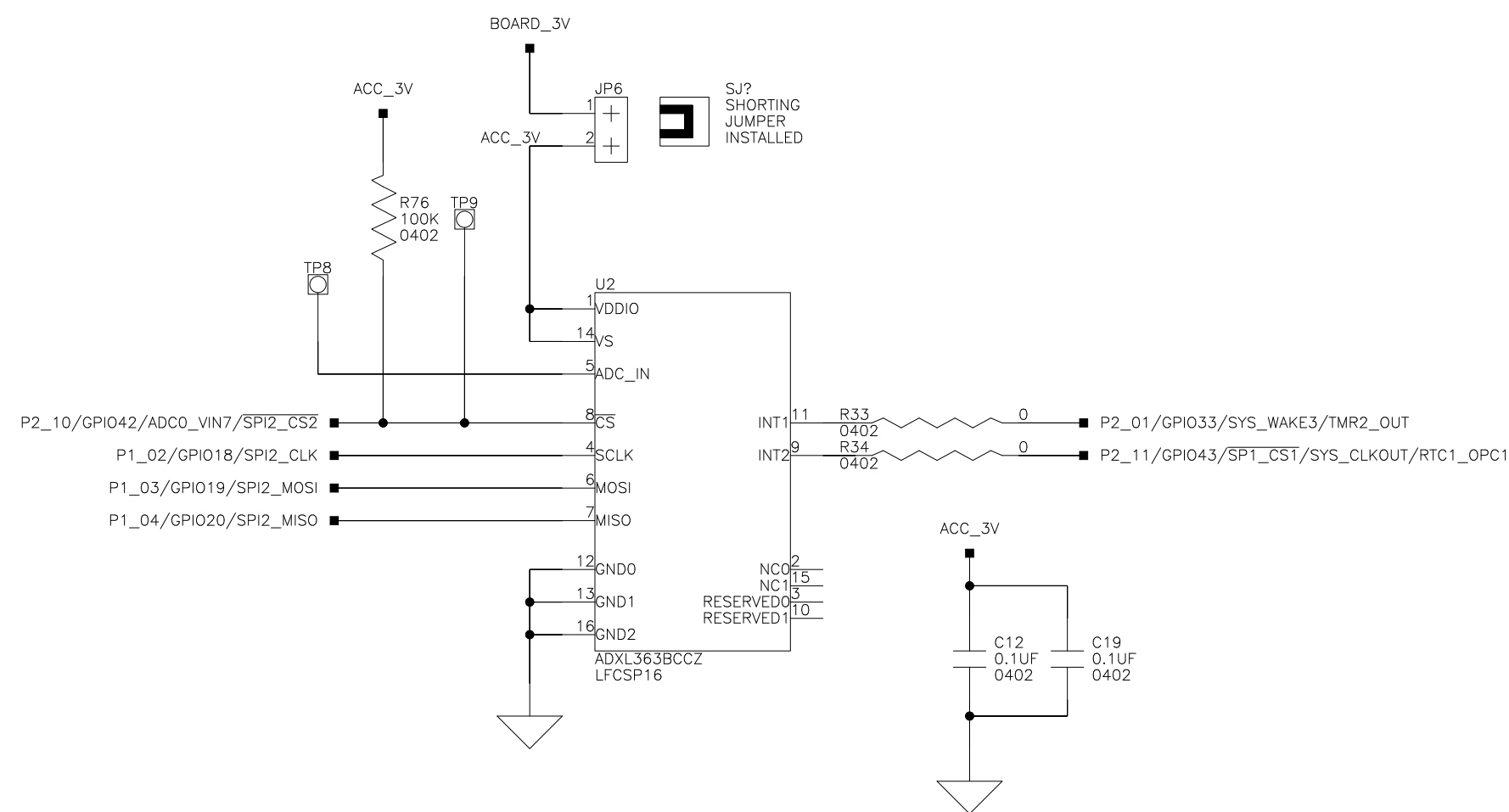
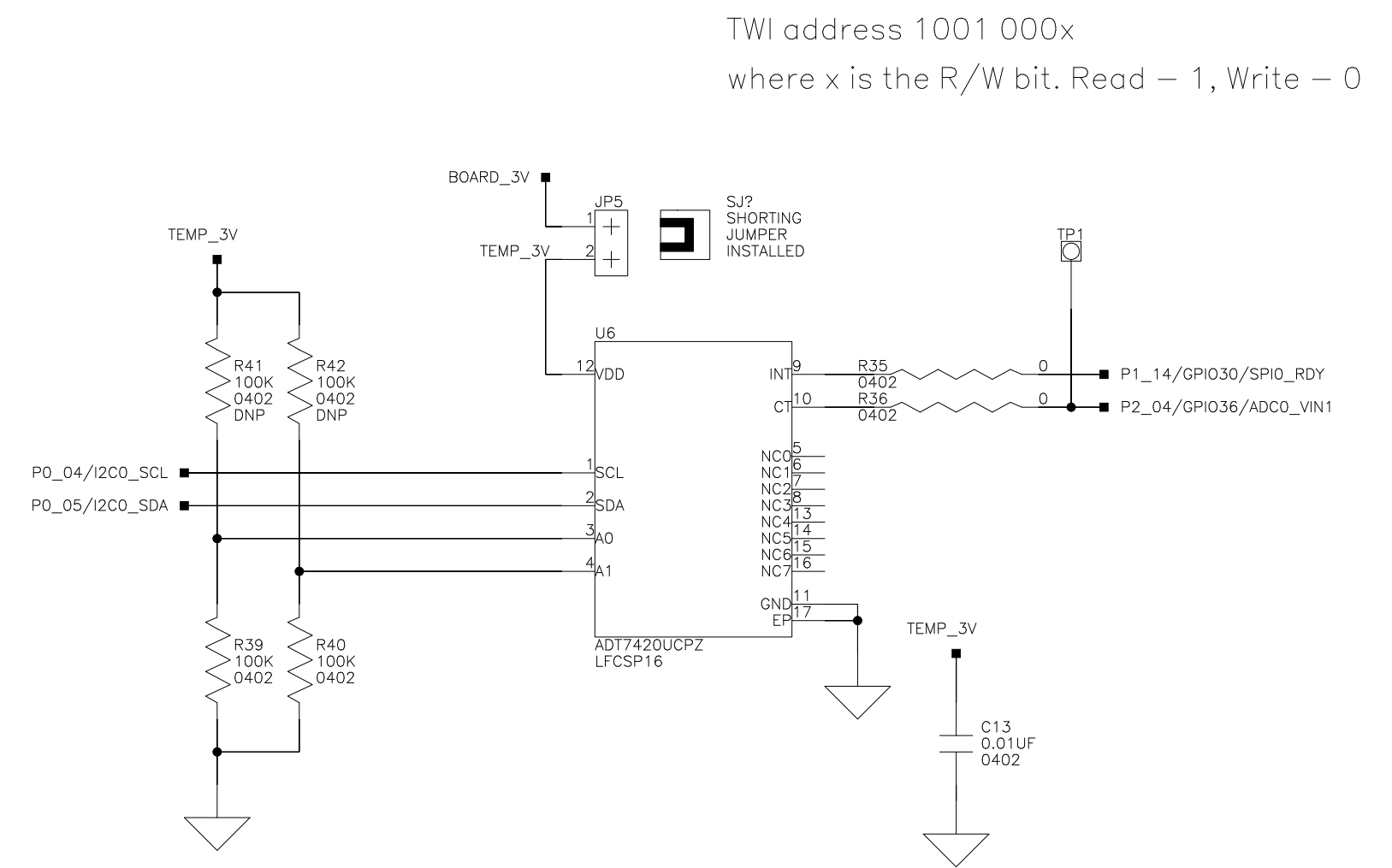
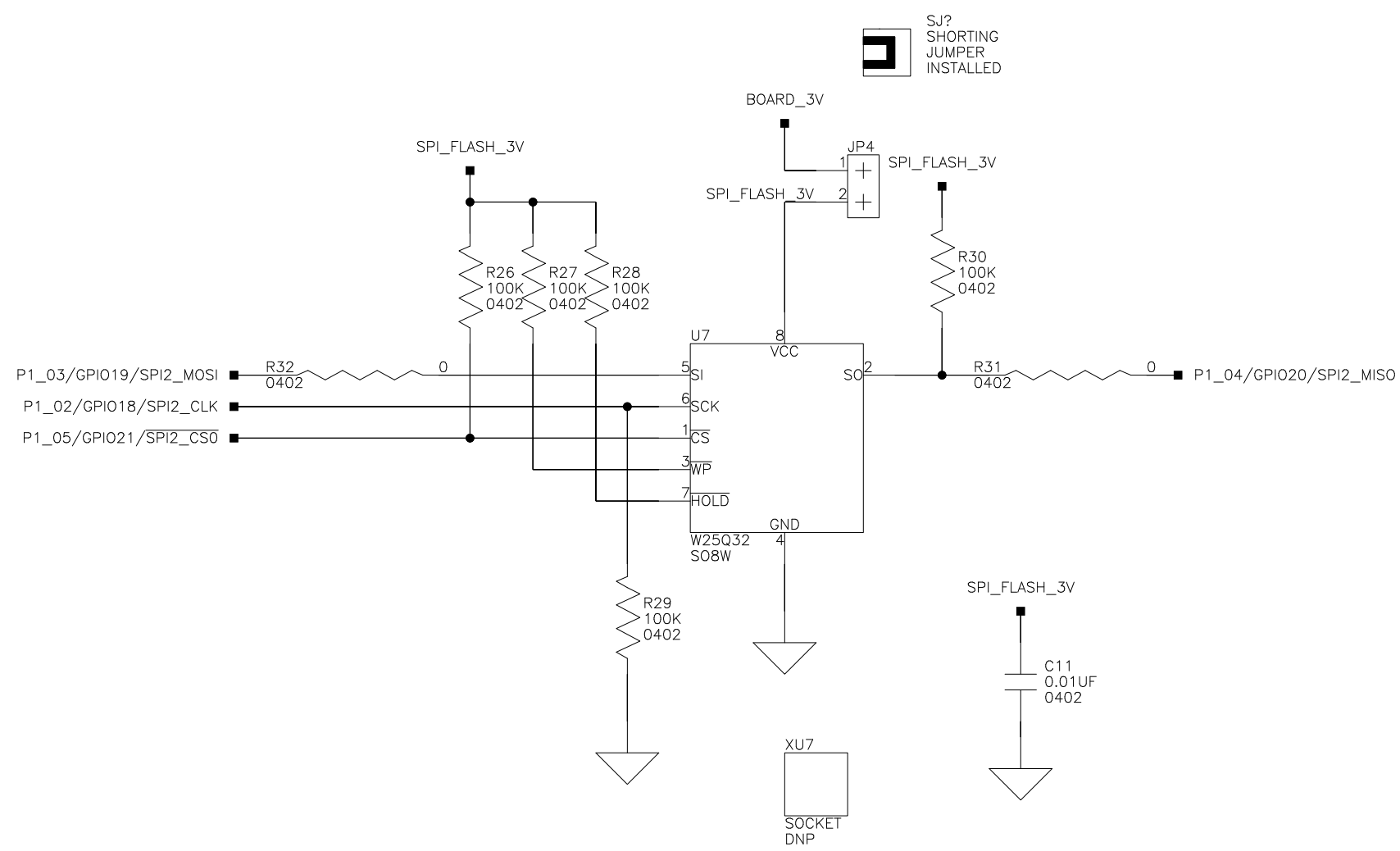
4




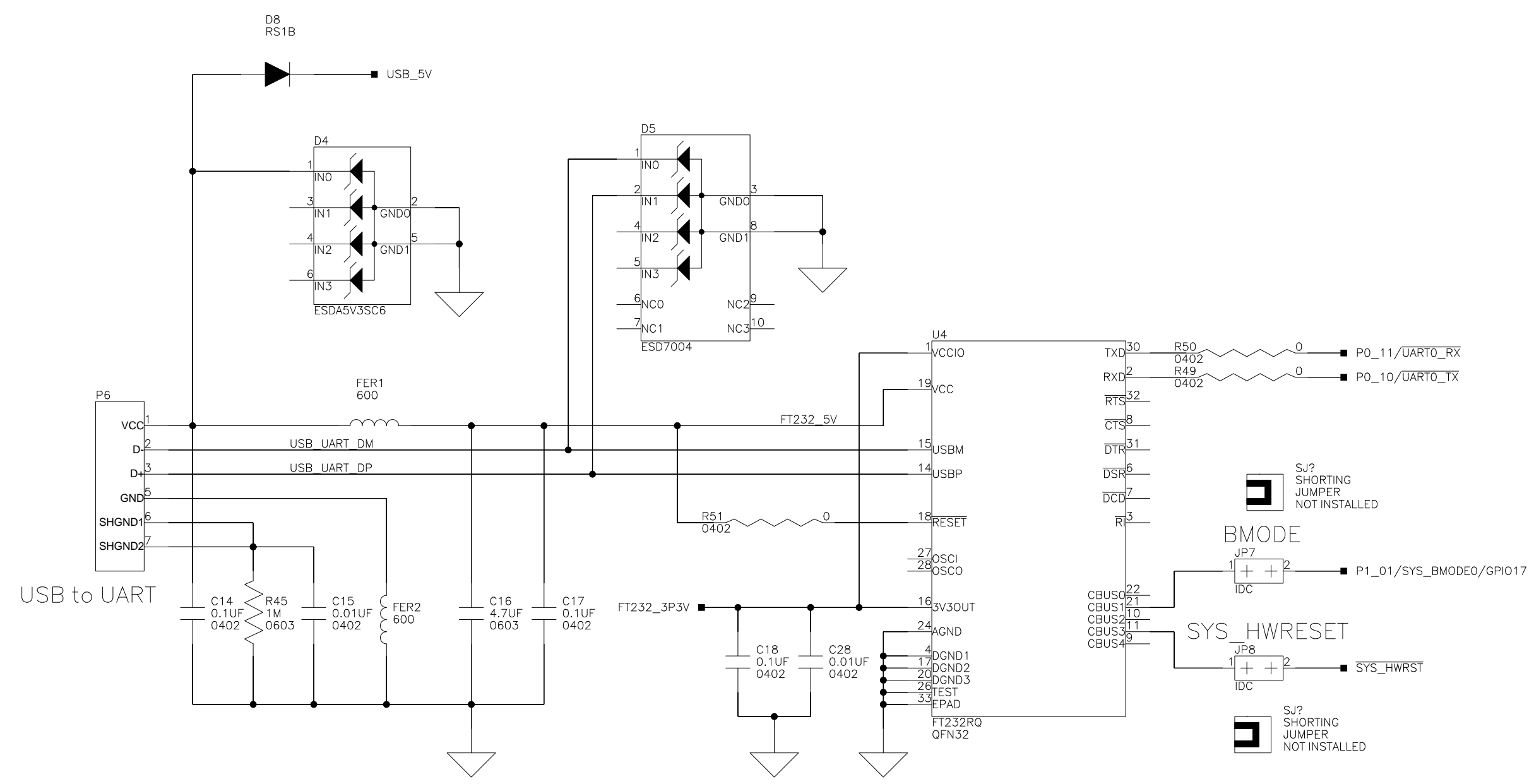
PCB Instruction:
 R9 pad must be close to "SYS_LFXTAL_IN"
 R10 pad must be closed to 'SYS_LFXTAL_OUT'




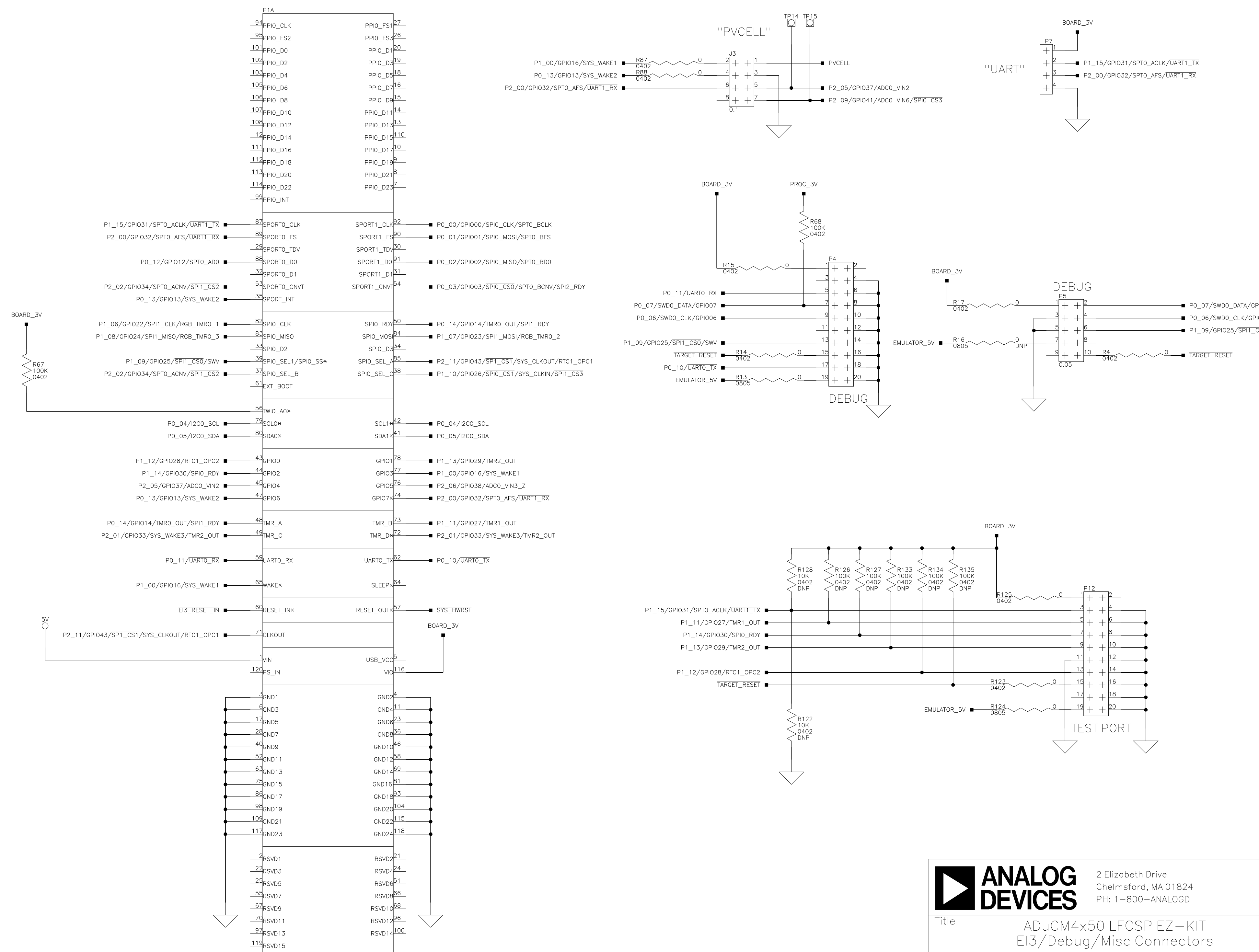
| | | | |
|------------------|-------------------------|----------------------------------------------------------------|--|
| | | 2 Elizabeth Drive Chelmsford, MA 01824 PH: 1-800-ANALOGD | |
| | | Title ADuCM4x50 LFCSP EZ-KIT Processor/Crystals | |
| Size C | Board No. A0802-2016 | Rev 1.1 | |
| Date 02/28/17 | Sheet 2 of 10 | | |



| | | | |
|---------------------------------------------------------------------------------------|-------------------------|----------------------------------------------------------------------------|--|
|  | | 2 Elizabeth Drive Chelmsford, MA 01824 PH: 1-800-ANALOG | |
| | | Title ADuCM4x50 LFCSP EZ-KIT SPI flash/Temp Sensor/Accelerometer/Buzzer | |
| Size C | Board No. A0802-2016 | Rev 1.1 | |
| Date 02/28/17 | Sheet 3 of 10 | | |

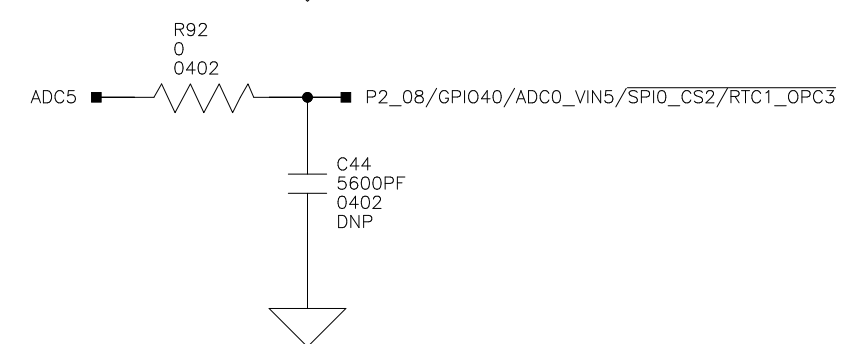
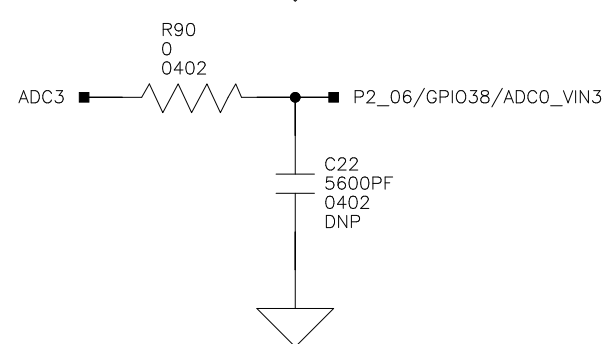
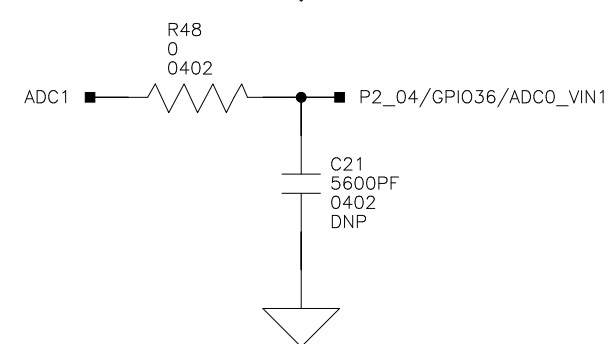
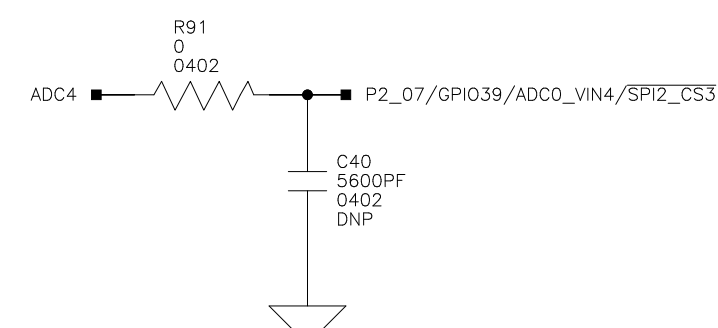
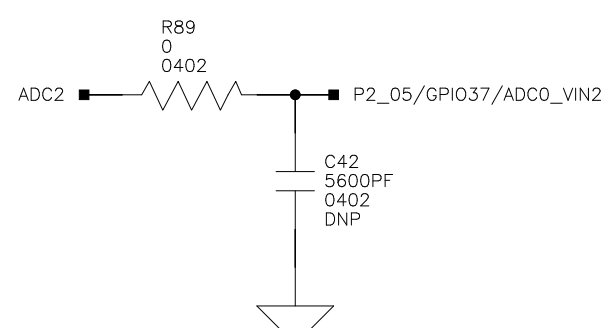
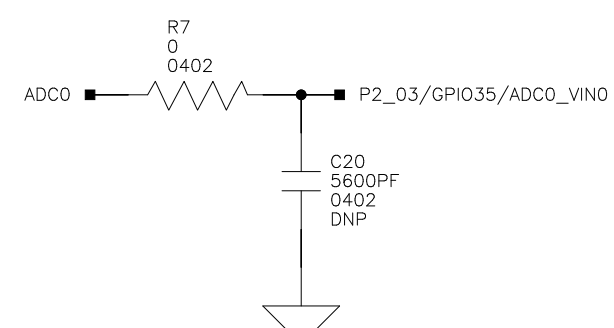
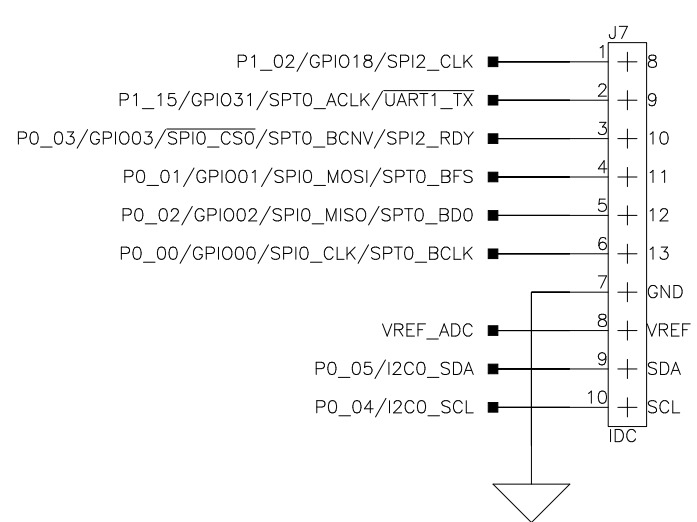
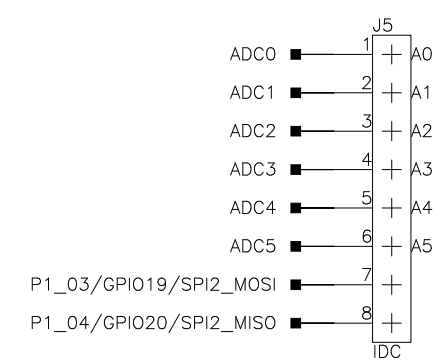
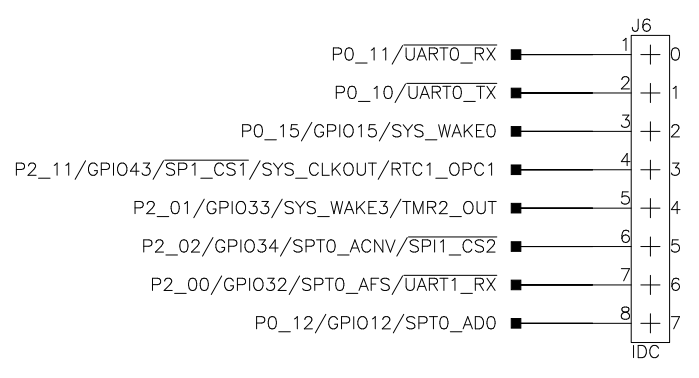
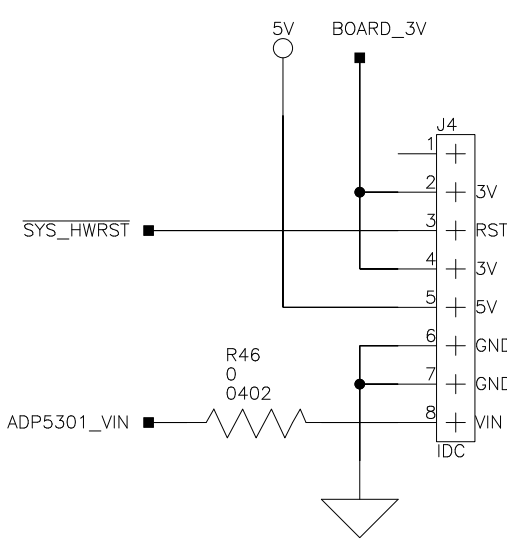



| | | |
|---------------------------------------------------------------------------------------|-------------------------|----------------------------------------------------------------|
|  | | 2 Elizabeth Drive Chelmsford, MA 01824 PH: 1-800-ANALOGD |
| Title ADuCM4x50 LFCSP EZ-KIT USB to UART | | |
| Size C | Board No. A0802-2016 | Rev 1.1 |
| Date 02/28/17 | Sheet 4 of 10 | |

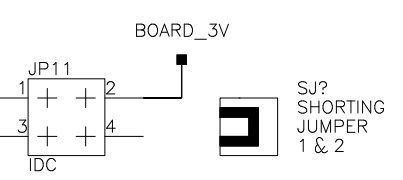
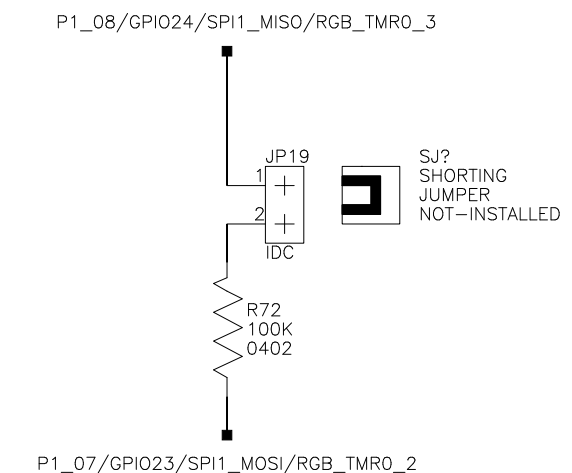
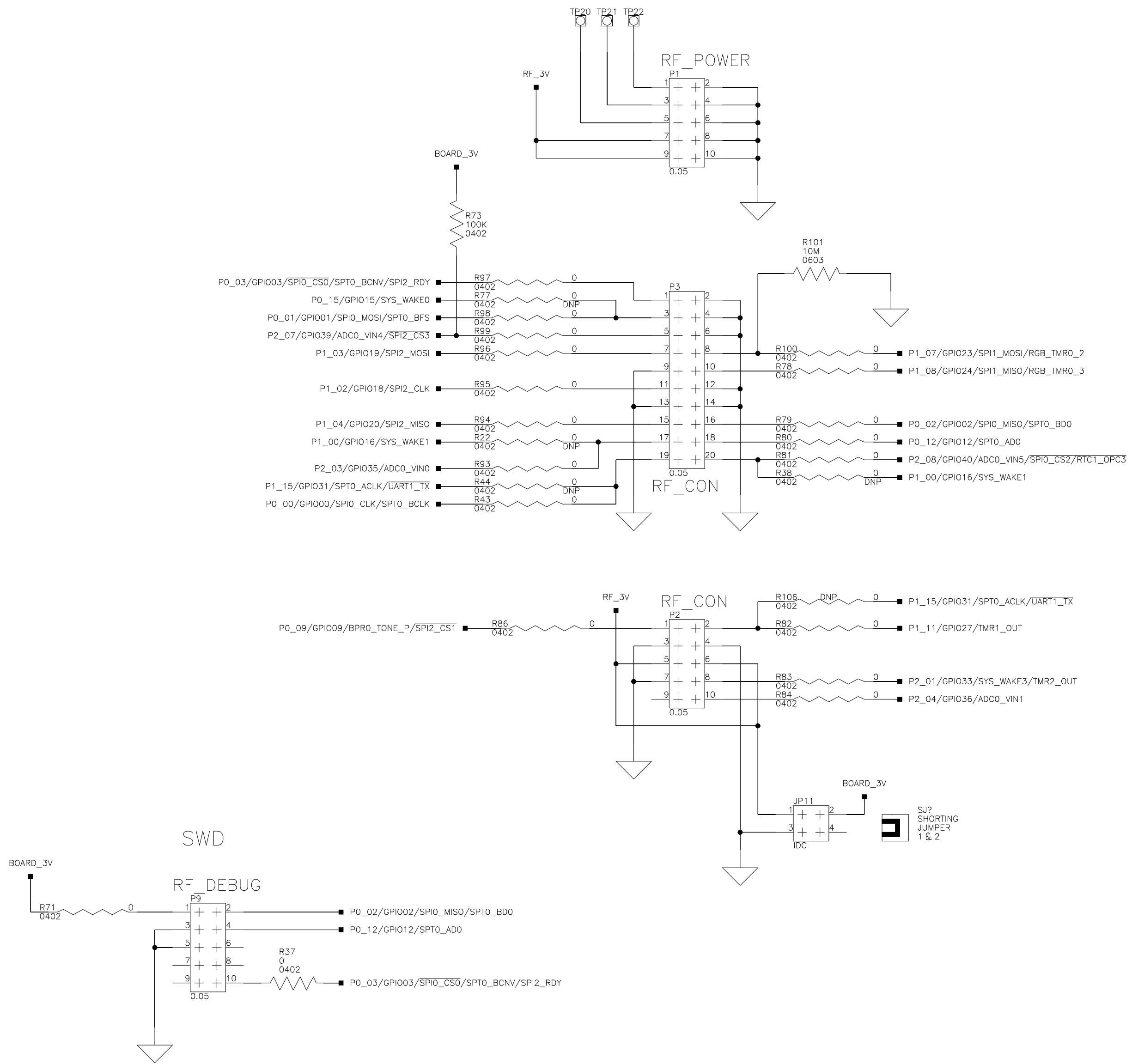



ANALOG DEVICES 2 Elizabeth Drive
Chelmsford, MA 01824
PH: 1-800-ANALOGD

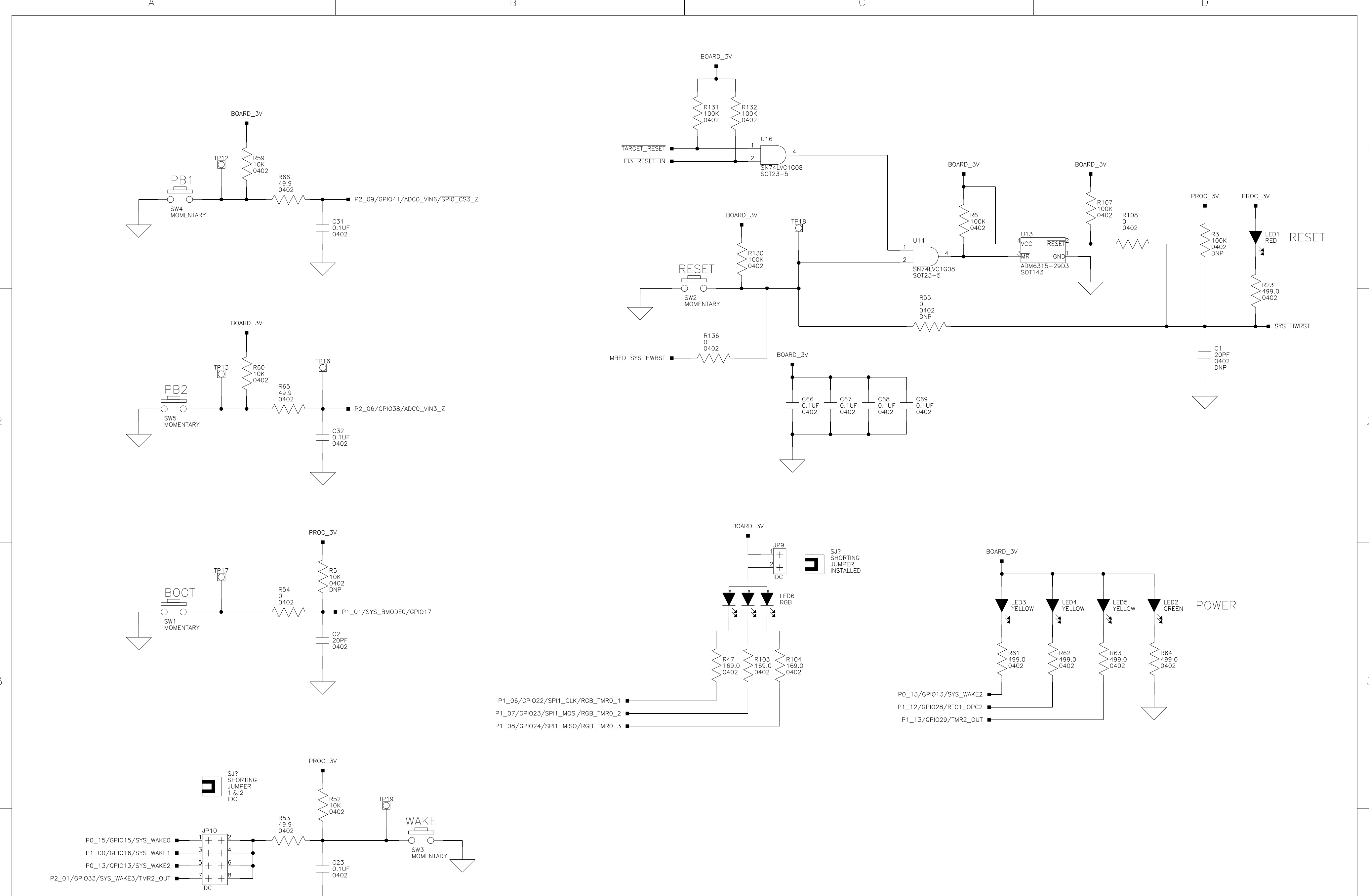
| | | | | | |
|-------|------------|-------|-----------------------------------------------------|-----|----|
| Title | | | ADuCM4x50 LFCSP EZ-KIT E13/Debug/Misc Connectors | | |
| Size | Board No. | | | Rev | |
| C | A0802-2016 | | | 1.1 | |
| Date | 02/28/17 | Sheet | 5 | of | 10 |



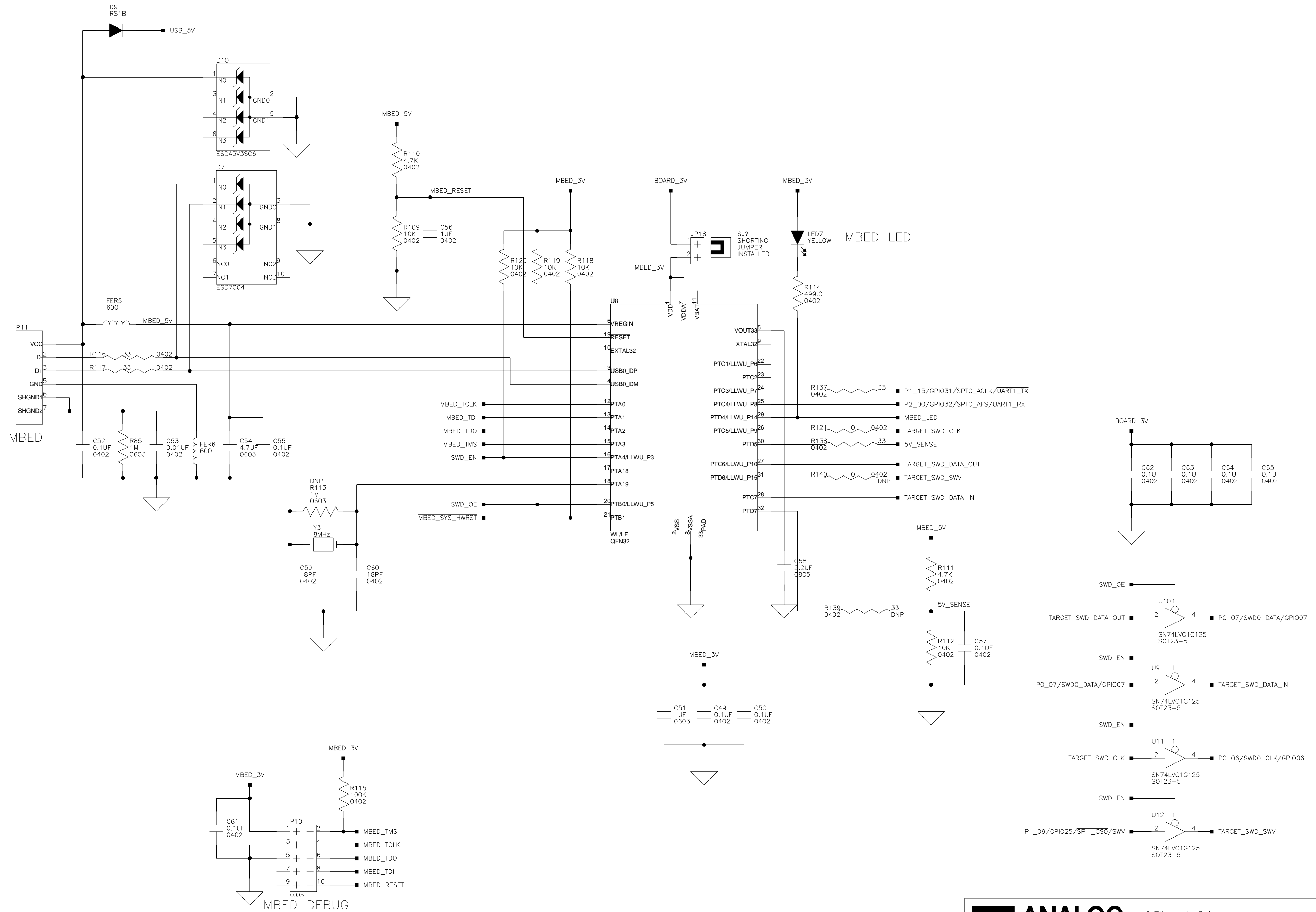
| | | | |
|---------------------------------------------------------------------------------------|-----------|----------------------------------------------------------------|------------|
|  | | 2 Elizabeth Drive Chelmsford, MA 01824 PH: 1-800-ANALOGD | |
| | | Title ADuCM4x50 LFCSP EZ-KIT Arduino Interface | |
| Size C | Board No. | A0802-2016 | Rev 1.1 |
| Date | 02/28/17 | Sheet | 6 of 10 |




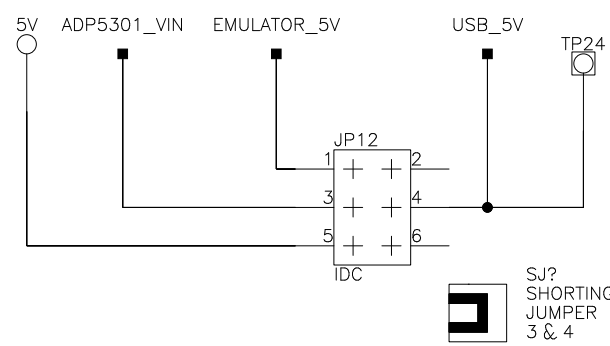
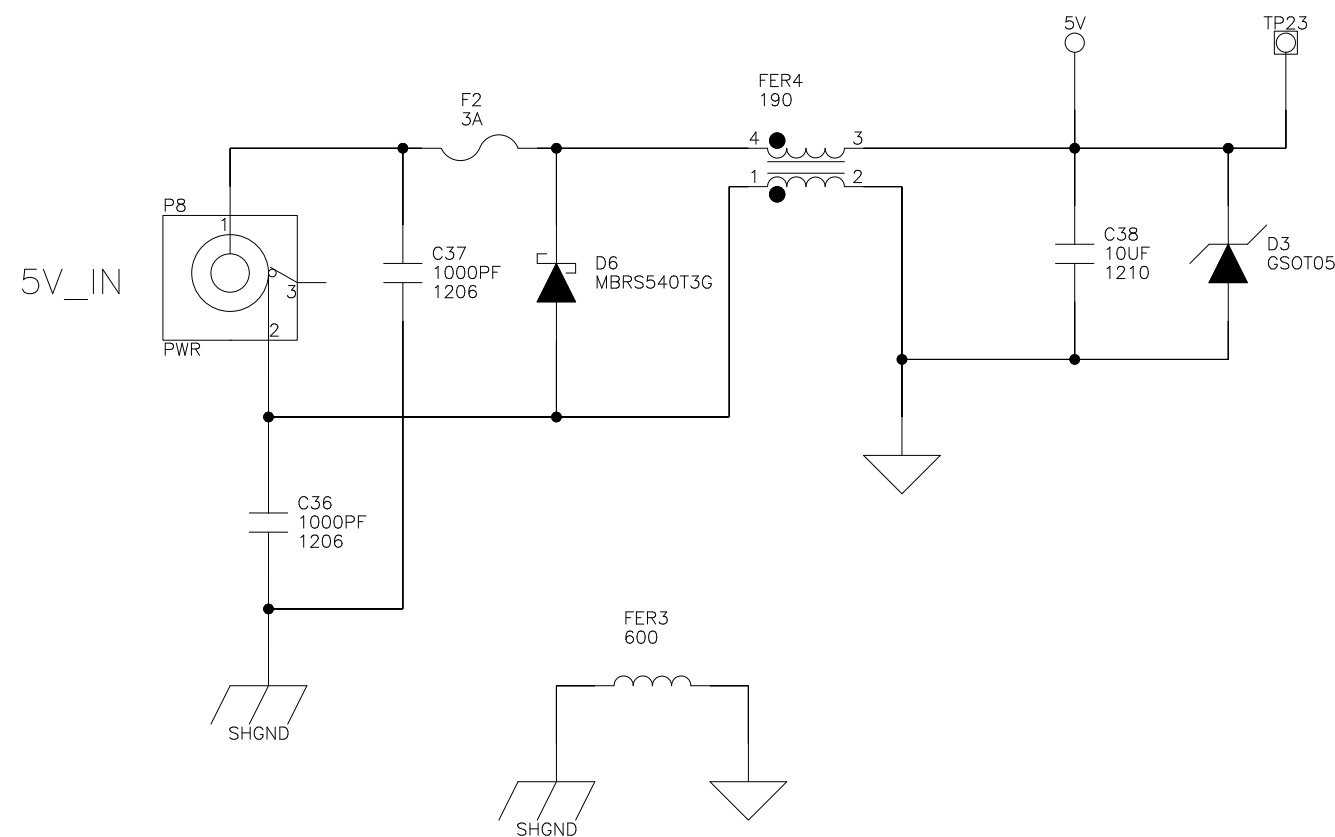
| | | | |
|---------------------------------------------------------------------------------------|-------------------------|------------------------------------------------------------------------|--|
|  | | 2 Elizabeth Drive Chelmsford, MA 01824 PH: 1-800-ANALOGD | |
| | | Title ADuCM4x50 LFCSP EZ-KIT ADF7xxx Wireless Transceiver Interface | |
| Size C | Board No. A0802-2016 | Rev 1.1 | |
| Date 02/28/17 | Sheet 7 of 10 | | |



| | | | |
|------------------|-------------------------|----------------------------------------------------------------|--|
| | | 2 Elizabeth Drive Chelmsford, MA 01824 PH: 1-800-ANALOGD | |
| | | Title ADuCM4x50 LFCSP EZ-KIT Switches/LEDs/Reset | |
| Size C | Board No. A0802-2016 | Rev 1.1 | |
| Date 02/28/17 | Sheet 8 of 10 | | |

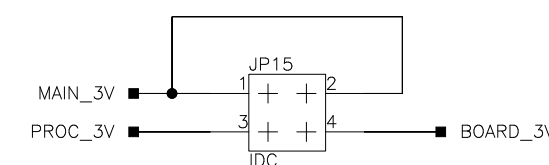
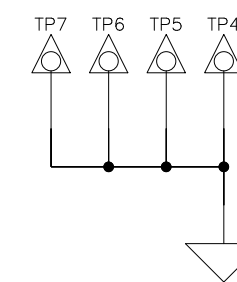


| | | | |
|---------------------------------------------------------------------------------------|-------------------------|----------------------------------------------------------------|--|
|  | | 2 Elizabeth Drive Chelmsford, MA 01824 PH: 1-800-ANALOGD | |
| | | Title ADuCM4x50 LFCSP EZ-KIT mbed Interface | |
| Size C | Board No. A0802-2016 | Rev 1.1 | |
| Date 02/28/17 | Sheet 9 of 10 | | |

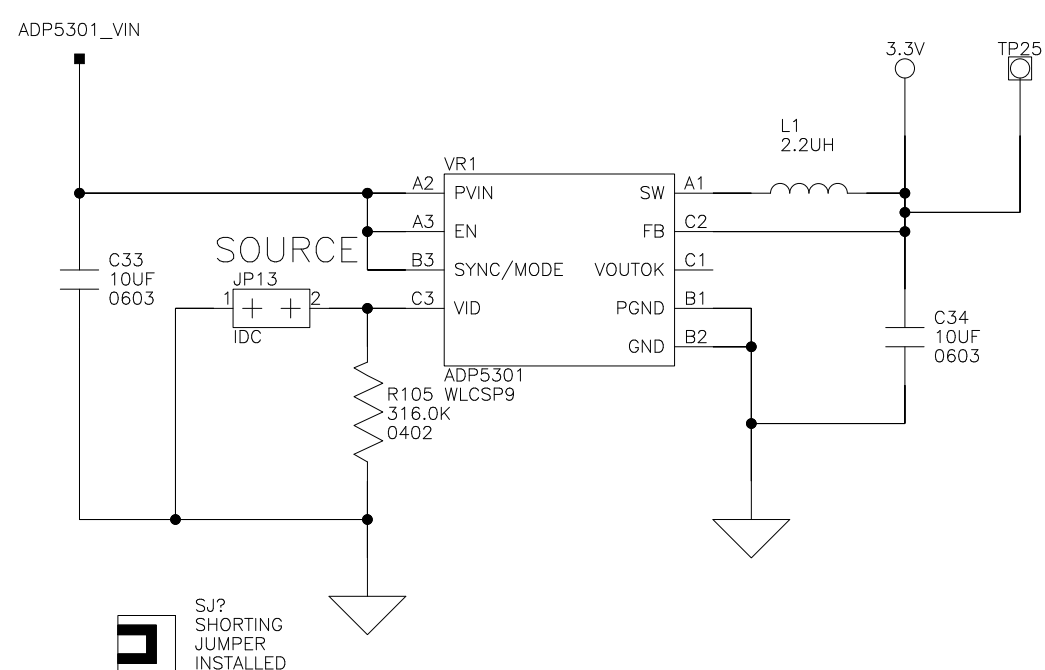


MAIN POWER

| | | |
|-------------|-------|---------|
| EMULATOR 5V | 1 & 3 | DEFAULT |
| USB 5V | 3 & 4 | |
| WALL 5V | 3 & 5 | |

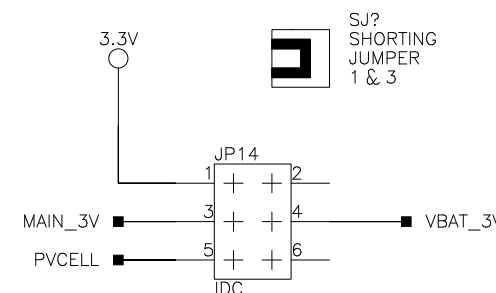


REMOVE TO MEASURE CURRENT DRAW OF PROCESSOR AND BOARD



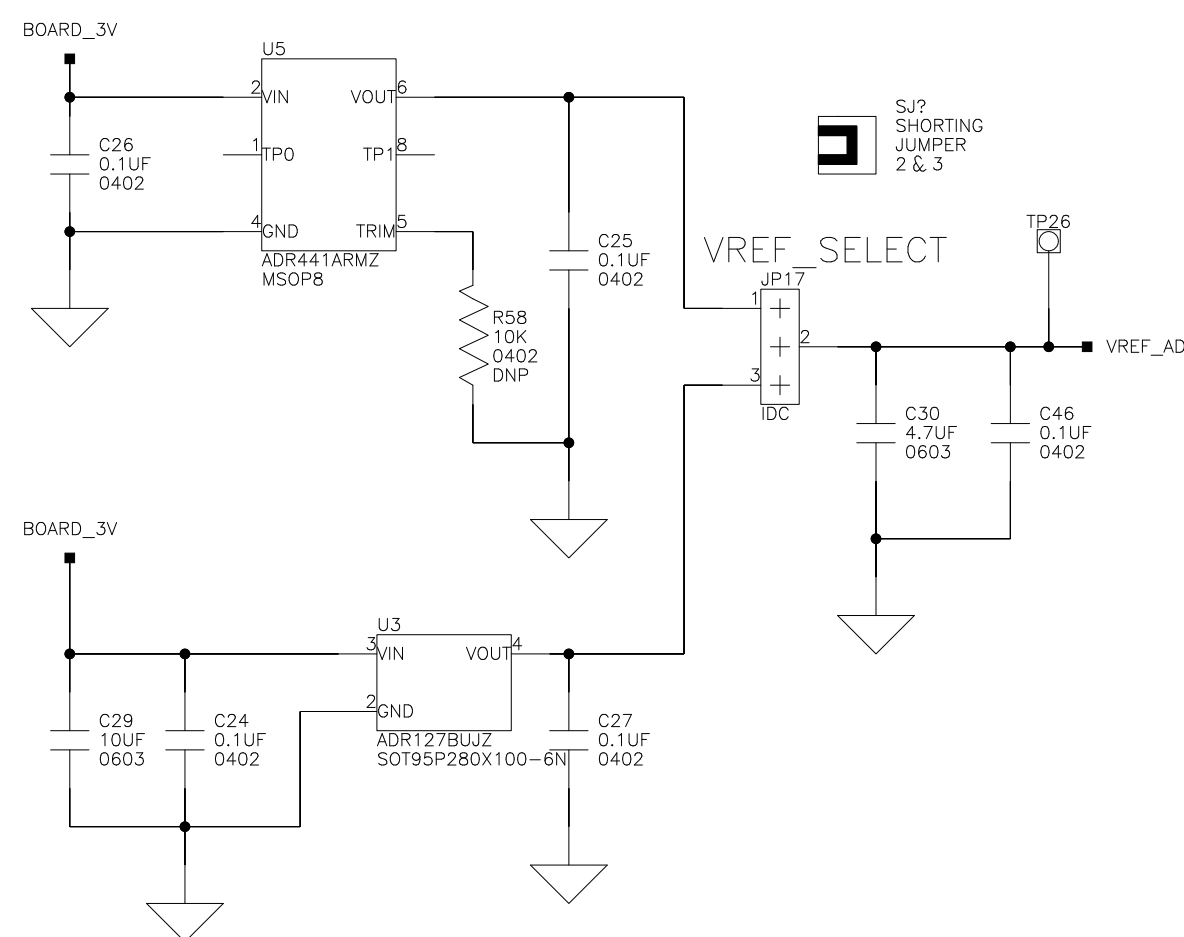
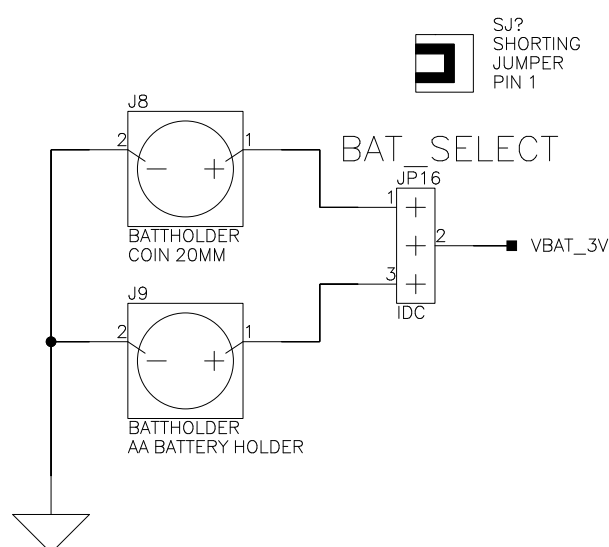
Power Source

| | | |
|------|---------------|---------|
| 3.0V | Installed | Default |
| 3.3V | Not Installed | |



3V POWER SOURCE

| | | |
|------------|-------|---------|
| VR1 3V | 1 & 3 | Default |
| BATTERY 3V | 3 & 4 | |
| PVCELL 3V | 3 & 5 | |



REMOVE JUMPER FROM JP17 FOR USING INTERNAL VREF SETTING IN CODE

ANALOG DEVICES
 2 Elizabeth Drive
 Chelmsford, MA 01824
 PH: 1-800-ANALOG

Title ADuCM4x50 LFCSP EZ-KIT Power

| | | |
|---------------|----------------------|---------|
| Size C | Board No. A0802-2016 | Rev 1.1 |
| Date 02/28/17 | Sheet 10 of 10 | |