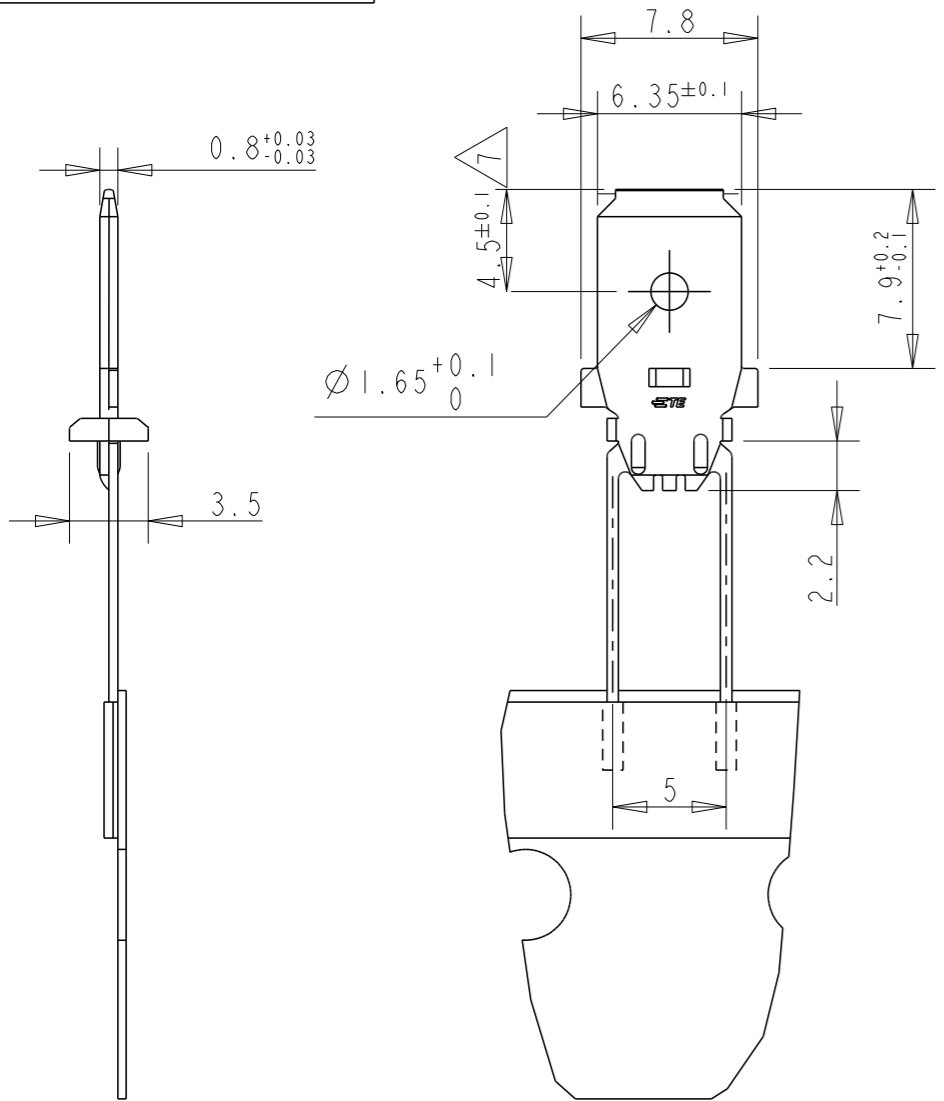
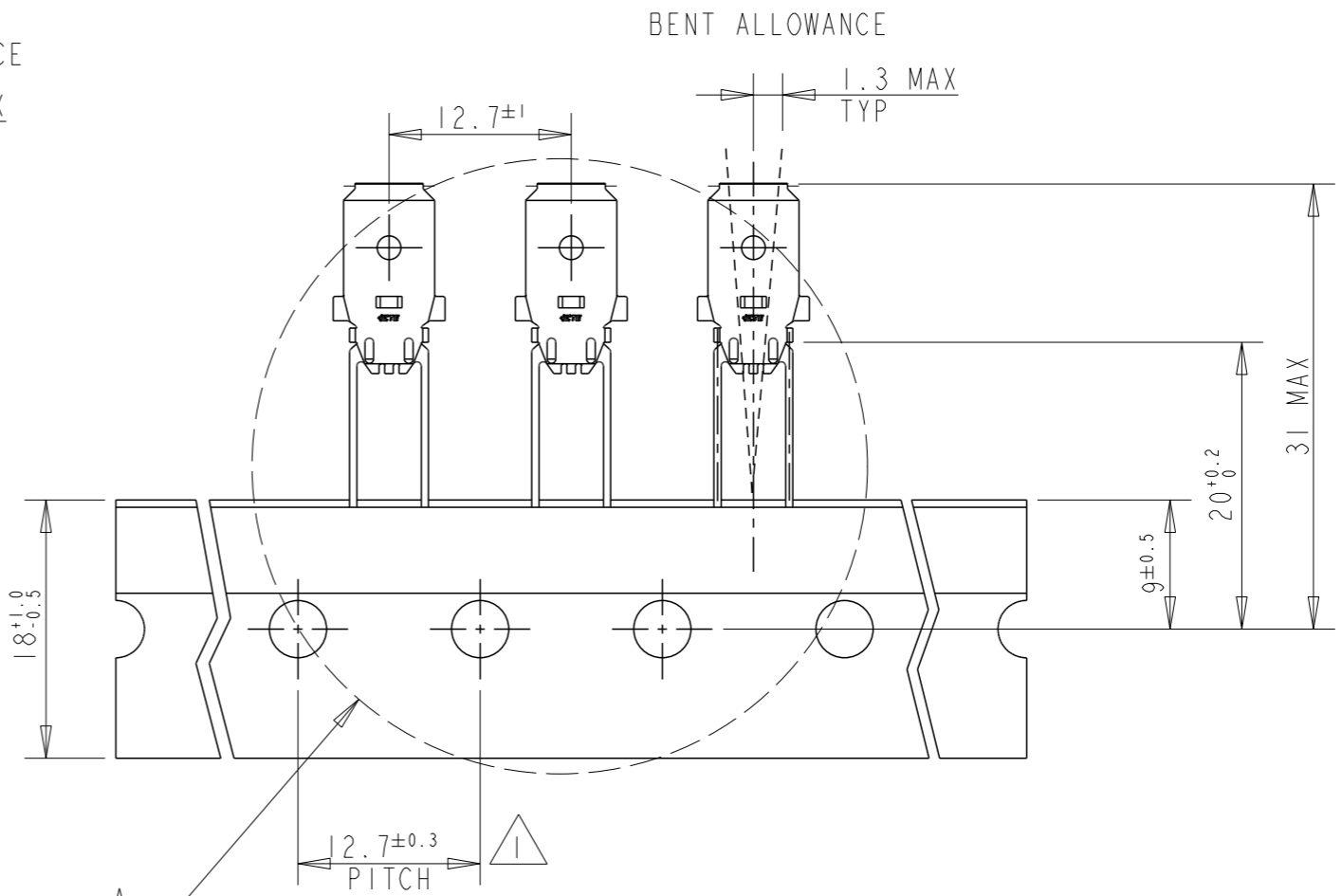
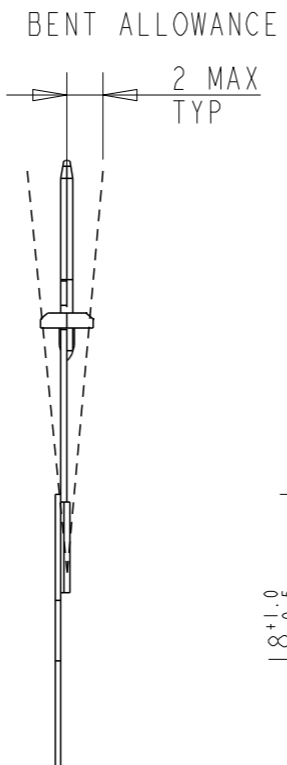


REVISIONS					
P	LTR	DESCRIPTION	DATE	DWN	APVD
A7		REVISED PER ECR-22-112591	23NOV22	DT	EW

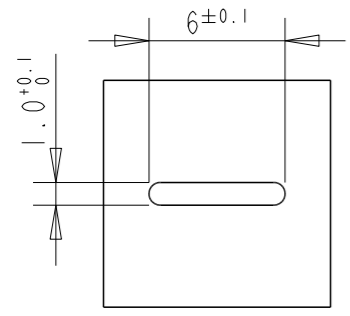


DETAIL A
SCALE 3:1



SEE DETAIL A

SCALE 2:1



SCALE 3:1
PCB LAYOUT

- NOTE:
- 1 ACCUMULATING TOLERANCE : ±1.5mm/20 PITCH.
 - 2 TAPE MUST NOT PROTRUDE FROM BACKING PAPER.
 - 3 APPLICABLE P.C.B HOLE DIA: 1.0(+0.1/-0)X6.0(+/-0.1).
 - 4 APPLICABLE PC BOARD THICKNESS: t=1.6mm.
 - 5 APPLICATION: APPLICABLE TO .250 FASTON RECEPTABLE.
 - 6 THE CORNER: NOT INSTRUCTED R or C SHOULD BE 0.2.
 - 7 2358709-2 IS FOR POD-LOK, DIM 4.1+/-0.1
 - 8 WITHOUT DIMPLE FOR TCL

8	7	TIN	BRASS	.250 TAPING TAB NODIMPLE	2358709-3
	7	TIN	BRASS	.250 TAPING TAB	2358709-2
		TIN	BRASS	.250 TAPING TAB STANDARD	2358709-1
		PLATING	RAW MATERIAL	DESCRIPTION	PN

THIS DRAWING IS A CONTROLLED DOCUMENT.		DWN DON TANG 21JUN2019			
DIMENSIONS: mm		CHK DAISY LI			
TOLERANCES UNLESS OTHERWISE SPECIFIED:		APVD TIM DING 21JUN2019	NAME TAPING TAB .250 SERISE		
		PRODUCT SPEC 108-106425	RESTRICTED TO		
MATERIAL		APPLICATION SPEC 114-2115	SIZE A3	CAGE CODE 00779	DRAWING NO C=2358709
FINISH		WEIGHT	SCALE 1:1 SHEET 1 OF 1 REV A7		
		CUSTOMER DRAWING			