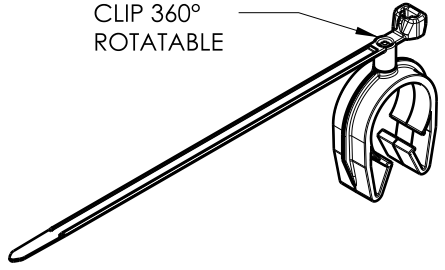
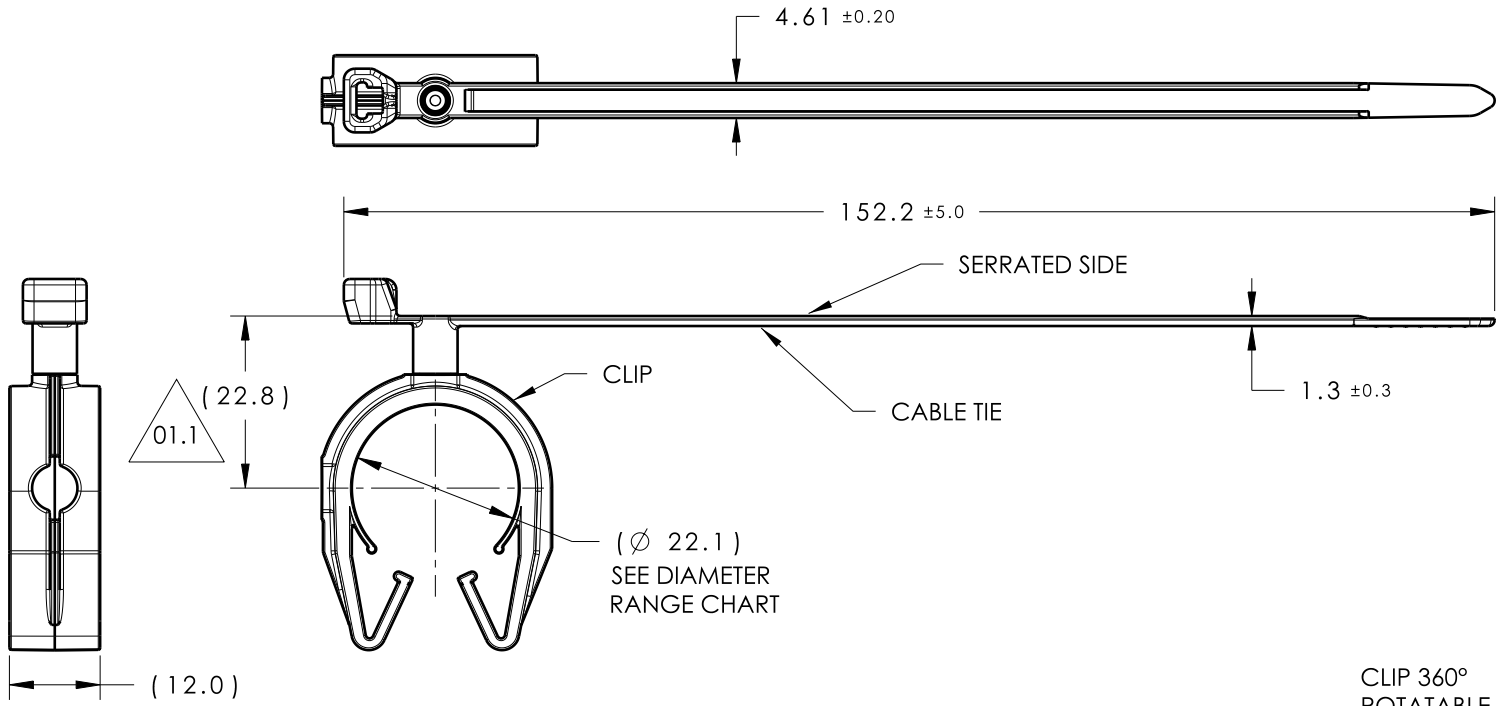


Revision Level			Revision Record	Changed	Date	Approved	Date
Drawing	State	Part					
01.1	Design Release		SEE ECN# 014531	TAT	7/18/18	HDC	7/18/18



ISOMETRIC VIEW  
SCALE 1:2

TYPE	SUGGESTED DIAMETER RANGE*
HARNESS	20.0MM - 24.0MM
HOSE	20.0MM - 24.0MM
HARD PIPE/TUBE	22.0MM - 25.0MM

\*RECOMMENDED SIZES MAY DIFFER DEPENDING ON THE APPLICATION , PRODUCT REQUIREMENTS AND MATERIALS USED

\*\*PATENT PENDING 29/582,271

GLOBAL PART DESCRIPTION		BUNDLE RANGE	CABLE TIE			CLIP**		
T50SVC MOC 22M180-PA66HIRHSUV-BK		2 TO 35	DRAWING	MATERIAL	COLOR	DRAWING	MATERIAL	COLOR
			14-0606-011-CSU	PA66HIRHSUV	BLACK	16-0323-000-CSU	PA66HIRHSUV	BLACK
Material SEE CHART COLOR: SEE CHART	Units <b>millimeters</b>  Tolerance defined on each dimension	The copyright of this drawing is reserved by HellermannTyton. It is issued on condition that it is not reproduced, copied or disclosed to a third party, either wholly or in part, without the consent of HellermannTyton.	Drawn	TAT	11/10/17	Article/Type-No T50SVC MOC 22M180		Scale 1:1
			Approved	EJH	11/13/17	Title  T50SVC CABLE TIE COUPLED TO 22MM MOC		Project Number 16-0323
			<b>HellermannTyton</b> North America Email: corp@htamericas.com Web: www.hellermann.tyton.com			Drawing-No PRODUCTION : Phase		Format AH
			<b>16-0323-206-CSU</b>					Sheet 1/1