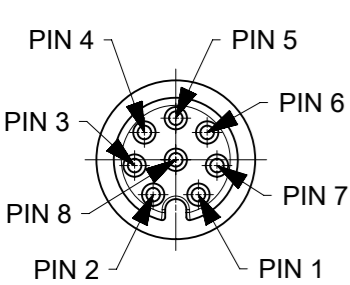
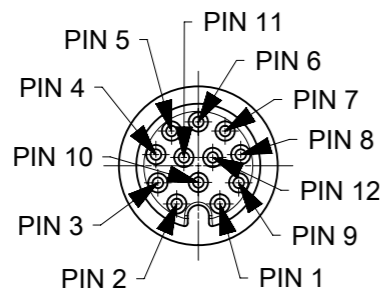


**8 POLE  
M12 FEMALE**



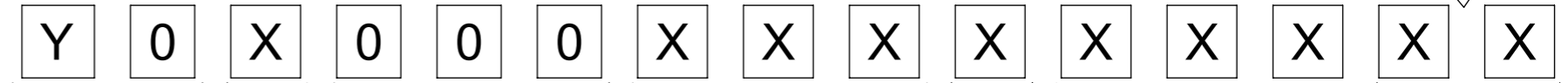
| PIN | WIRE COLOR | PIN | WIRE COLOR |
|-----|------------|-----|------------|
| 1   | WH         | 5   | GY         |
| 2   | BN         | 6   | PK         |
| 3   | GN         | 7   | BU         |
| 4   | YE         | 8   | RD         |

**12 POLE  
M12 FEMALE**



| PIN | WIRE COLOR | PIN | WIRE COLOR |
|-----|------------|-----|------------|
| 1   | WH         | 7   | BU         |
| 2   | BN         | 8   | RD         |
| 3   | GN         | 9   | BK         |
| 4   | YE         | 10  | VT         |
| 5   | GY         | 11  | GY/PK      |
| 6   | PK         | 12  | RD/BU      |

**PART No MATRIX**



Y0= ULTRA LOCK 2.0  
SINGLE ENDED

POLES:  
8 = 8 POLES  
C = 12 POLES

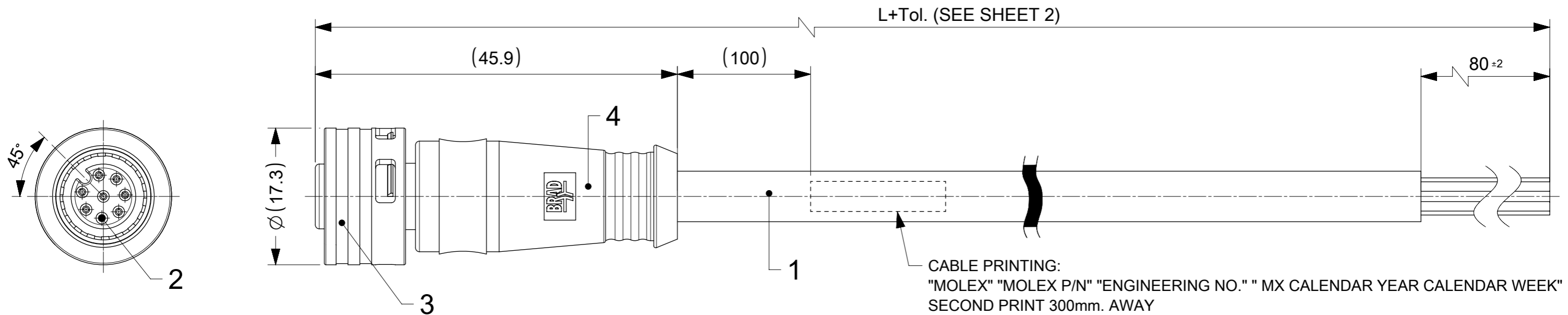
HEADER:  
000= FEMALE STR

CABLE:  
E02 - 8x0.25 PVC BLACK  
B41 - 8x0.25 WSOR BLACK  
H08 - 8x0.25 PUR-LS0H BLACK  
H45 - 12x0.14 PUR BLACK

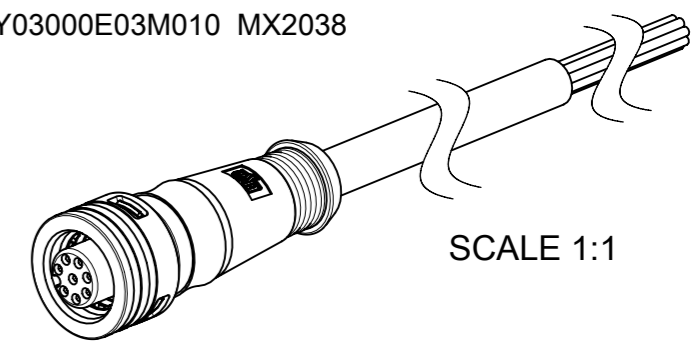
UNIT:  
M = METER  
F = FEET  
C = CENTIMETER  
T = 10M

LENGTH:  
EXAMPLE:  
010 = 1 m  
050 = 5 m  
100 = 10 m

OPTIONS  
OVERMOLD:  
BLANK = STANDARD BRAD:  
-YELLOW IN THE USA  
-BLACK IN EUROPE  
A = GREY  
E = RED  
G = BLACK  
Y = YELLOW  
H = STD. COLOUR WITH TWO  
/D-TAG CARRIERS



FOR EXAMPLE: MOLEX 1204000001 Y03000E03M010 MX2038



- NOTES:
- PARTS ACC. TO PRODUCT SPECIFICATION 1204000001 PS P10 AND IN STYLE OF IEC-61076-2-010
  - BOM & PART LIST - SEE SHEET 2
  - RATED VOLTAGE :  
8, 12 CONTACTS: 30V AC OR DC  
RATED CURRENT:  
8 CONTACTS: 2A  
12 CONTACTS: 1.5A,  
DERATING HAS TO BE CONSIDERED  
OVERVOLTAGE CATEGORY: 3  
POLLUTION DEGREE: 3, ONLY IN MATED AND LOCKED CONDITION
  - PROTECTION CLASS: IP 67, ONLY IN MATED AND LOCKED CONDITION
  - TEMPERATURE RANGE:  
TEMPERATURE PLUG/SOCKET: -40 °C TO +85 °C  
TEMPERATURE CABLE: SEE CABLE LIST
  - MECHANICAL OPERATIONS: 100 CYCLES
  - MATES WITH ULTRA-LOCK M12 MALE RECEPTACLES
  - PACKAGING: THE CORDSETS ARE SINGLE PACKED IN PLASTIC BAGS AND DELIVERED IN CARTON BOXES
  - UL CSA FILE REGISTRATION PENDING

|  |   |                                       |   |            |                                       |                |          |          |
|--|---|---------------------------------------|---|------------|---------------------------------------|----------------|----------|----------|
| FUNCTIONAL SYMBOLS                                   | THIS DRAWING CONTAINS INFORMATION THAT IS PROPRIETARY TO MOLEX ELECTRONIC TECHNOLOGIES, LLC AND SHOULD NOT BE USED WITHOUT WRITTEN PERMISSION |                                       | CURRENT REV DESC: NOTES AND CABLE LIST<br>UPDATED |            | <b>molex</b>                          |                |          |          |
|  | ▽A = 0  | mm                                    | SCALE   | 2:1        |                                       |                |          |          |
|  | ▽E = 0  | GENERAL TOLERANCES (UNLESS SPECIFIED) |   |            |                                       |                |          |          |
|  | ▽F = 0  | ANGULAR TOL ± 1.0 °                   |   |            |                                       |                |          |          |
| DIVISIONAL SYMBOLS                                   | 4 PLACES  | ±                                     | EC NO: 736602                                     |            | CSE U12 8-12P AC FE STR XM SE UNSH BK |                |          |          |
|  | 3 PLACES  | ±                                     | DRWN: RSCHIEBER                                   | 2023/01/31 |                                       |                |          |          |
|  | 2 PLACES  | ± 0.05                                | CHK'D: RSILLER                                    | 2023/01/31 |                                       |                |          |          |
|  | 1 PLACE   | ± 0.3                                 | APPR: RSILLER                                     | 2023/01/31 |                                       |                |          |          |
| 0 PLACES   | ± 0.5   | INITIAL REVISION:                     |   |            | PRODUCT CUSTOMER DRAWING              |                |          |          |
| DRAFT WHERE APPLICABLE MUST REMAIN WITHIN DIMENSIONS |   | THIRD ANGLE PROJECTION                | DRAWING   | SERIES     | DOCUMENT NUMBER                       | DOC TYPE       | DOC PART | REVISION |
|  |   |                                       | A3-SIZE   | 120400     | 1204000100                            | PSD            | 000      | B3       |
|  |   |                                       |   |            | SEE SHEET 2                           | GENERAL MARKET |          | 1 OF 2   |

