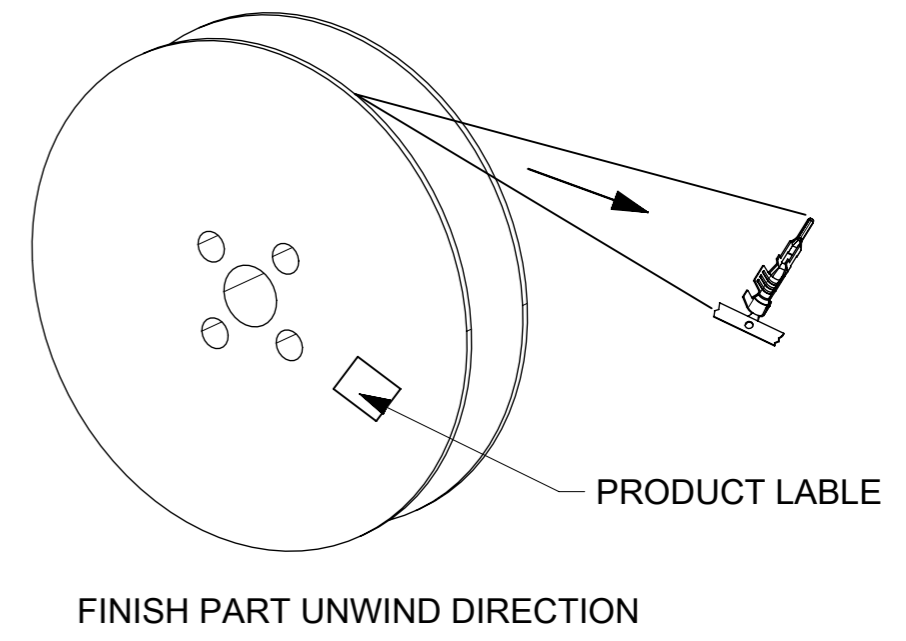
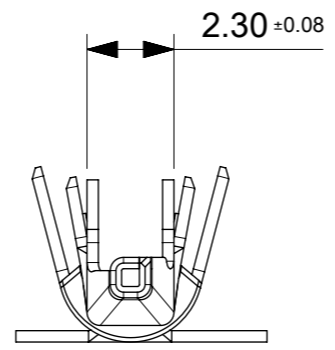
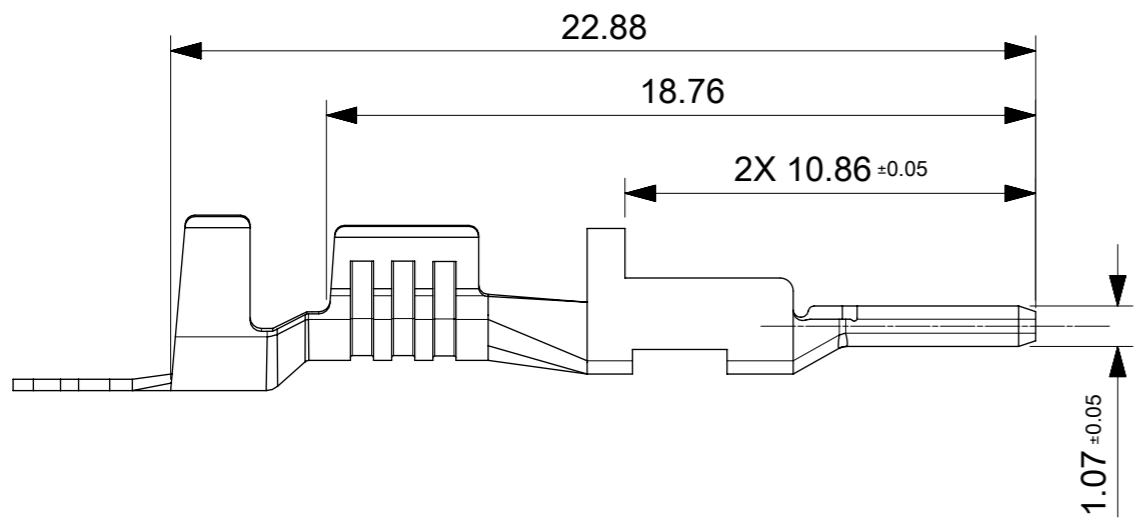
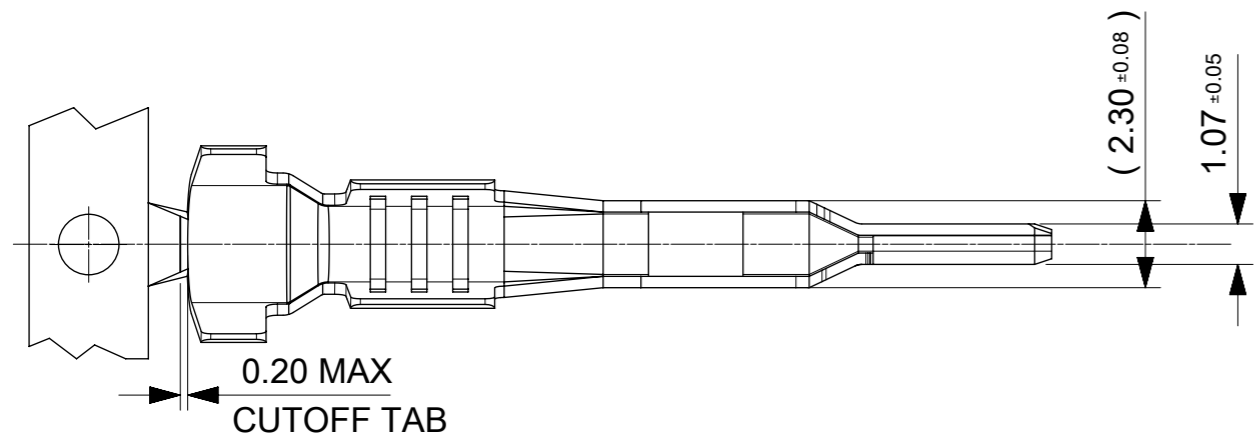
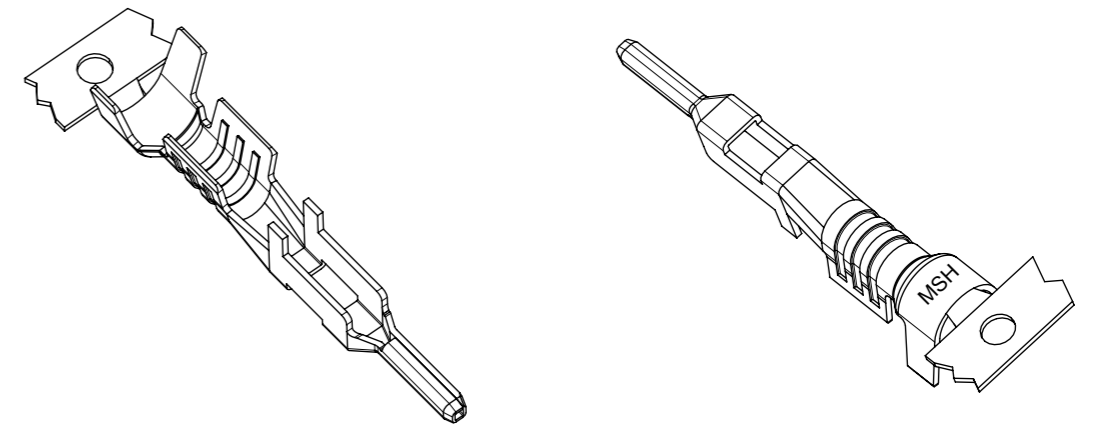
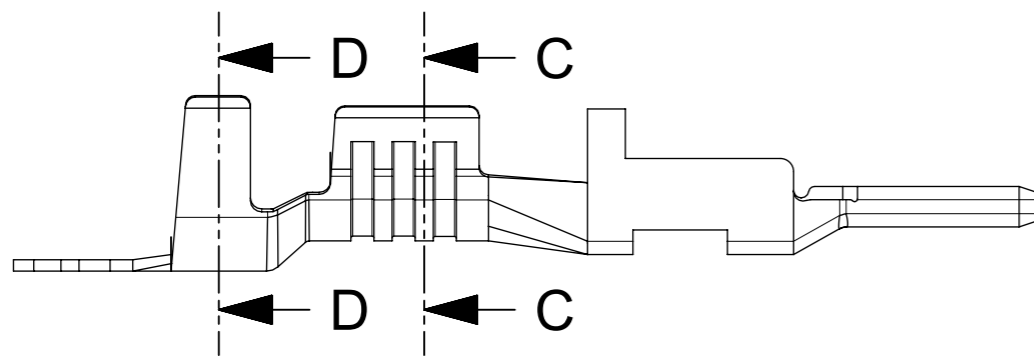


| WIRE GAUGE | | PART NO. | PLATING OPTION | LUBED | DIM "A" |
|--------------|-----------------------|-------------|---|-------|---------|
| NORMAL CRIMP | DOUBLE CRIMP | | | | |
| 10AWG | N/A | 105417-0332 | HOT DIP TIN PREPLATE-OVERALL 1.0µm(40µ") MIN | YES | 14.00 |
| 12AWG | 2x16AWG | 105417-0333 | | | 13.00 |
| 14/16AWG | 2x18AWG OR 2x20AWG | 105417-0334 | | | |
| 10AWG | N/A | 105418-0312 | 15u" GOLD 0.38µm(15µ") GOLD CONTACT AREA, 1.5µm(60µ")-2.5µm(100µ") MATTE TIN, OVER 1.25µm(50µ")-2.5µm(100µ") NICKEL OVERALL | YES | 14.00 |
| 12AWG | 2x16AWG | 105418-0313 | | | 13.00 |
| 14/16AWG | 2x18AWG OR 2x20AWG | 105418-0314 | | | |
| 10AWG | N/A | 105418-1312 | 30u" GOLD 0.76µm(30µ") GOLD CONTACT AREA, 1.5µm(60µ")-2.5µm(100µ") MATTE TIN, OVER 1.25µm(50µ")-2.5µm(100µ") NICKEL OVERALL | YES | 14.00 |
| 12AWG | 2x16AWG | 105418-1313 | | | 13.00 |
| 14/16AWG | 2x18AWG OR 2x20AWG | 105418-1314 | | | |

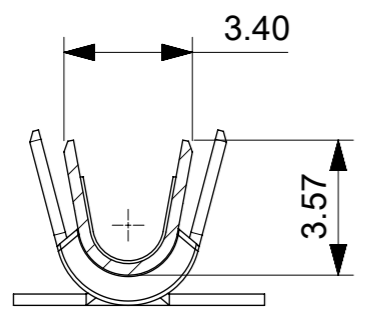


- NOTES:
1. MATERIAL: HIGH CONDUCTIVITY COPPER ALLOY.
 2. FINISH: SEE CHART.
 3. PRODUCT SPECIFICATION: 1054171000-PS.
 4. PACKAGING SPECIFICATION: REEL PER 1054170100.
 5. TERMINAL USED WITH MOLEX SERIES
PLUG HOUSING: 105411, 213814 AND 213815
FEMALE TERMINALS 76823/172063
 6. APPLICATION SPECIFICATION: 768232000-AS

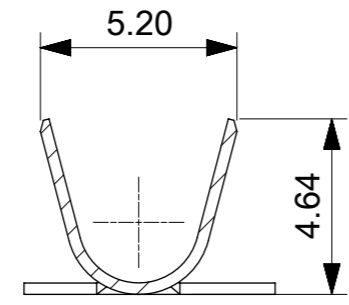
| | | | | | | | | | |
|---|--|-------|--|---------------------------|--|----------------|--|--|--|
| THIS DRAWING CONTAINS INFORMATION THAT IS PROPRIETARY TO MOLEX ELECTRONIC TECHNOLOGIES, LLC AND SHOULD NOT BE USED WITHOUT WRITTEN PERMISSION | | | | | | | | | |
| DIMENSION UNITS | | SCALE | | CURRENT REV DESC: | | | | | |
| mm | | NTS | | | | | | | |
| GENERAL TOLERANCES (UNLESS SPECIFIED) | | | | EC NO: 722781 | | | | MEGA-FIT MALE TML FOR 14/16AWG, 12AWG, AND 10AWG WIRE | |
| ANGULAR TOL ± 3.0 ° | | | | DRWN: WYATTH5 2022/10/20 | | | | | |
| 4 PLACES ± | | | | CHK'D: XQZHANG 2022/10/27 | | | | PRODUCT CUSTOMER DRAWING | |
| 3 PLACES ± | | | | APPR: XQZHANG 2022/10/27 | | | | | |
| 2 PLACES ± 0.25 | | | | INITIAL REVISION: | | | | DOCUMENT NUMBER | |
| 1 PLACE ± 0.35 | | | | DRWN: YXZHENG 2016/12/15 | | | | 1054170100 | |
| 0 PLACES ± | | | | APPR: YXZHENG 2018/08/06 | | | | DOC TYPE DOC PART REVISION | |
| DRAFT WHERE APPLICABLE MUST REMAIN WITHIN DIMENSIONS | | | | THIRD ANGLE PROJECTION | | DRAWING | | SHEET NUMBER | |
| | | | | | | A3-SIZE | | 1 OF 3 | |
| SERIES | | | | MATERIAL NUMBER | | CUSTOMER | | | |
| 105417 | | | | SEE TABLE | | GENERAL MARKET | | | |



14/16 AWG WIRE STYLES

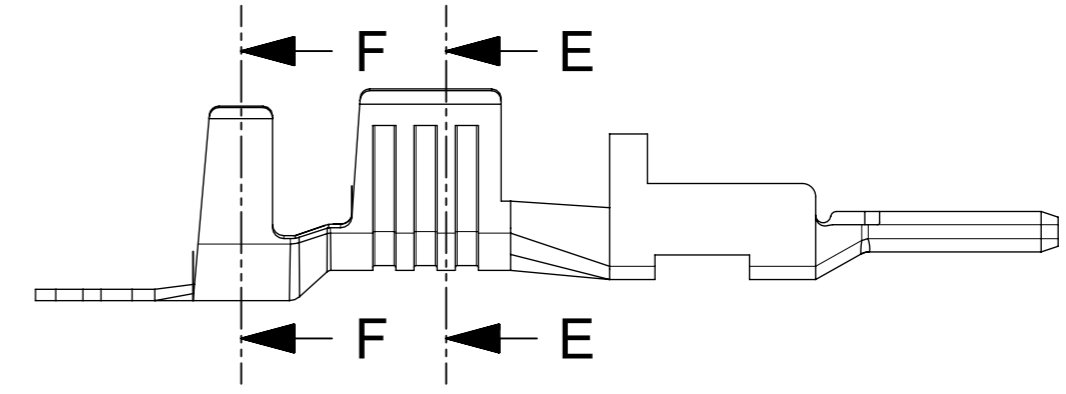


SECTION C-C

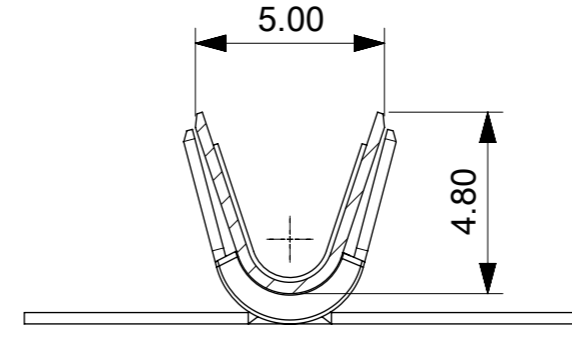


SECTION D-D

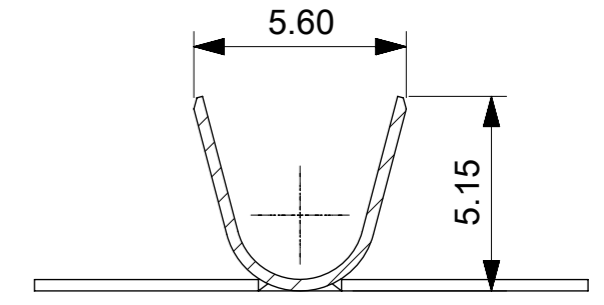
CONDUCTOR AND INSULATION 14/16 AWG WIRE STYLES



12 AWG WIRE STYLES



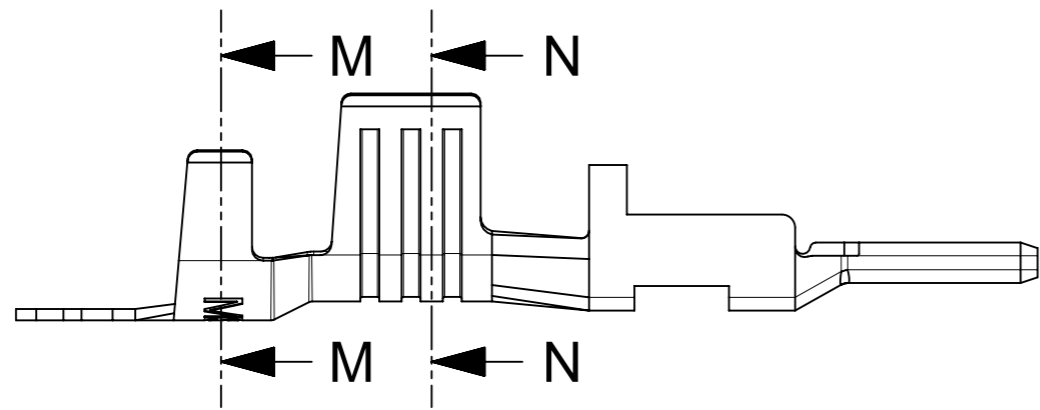
SECTION E-E



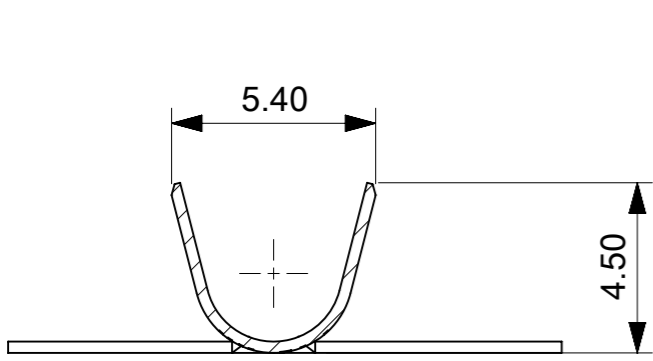
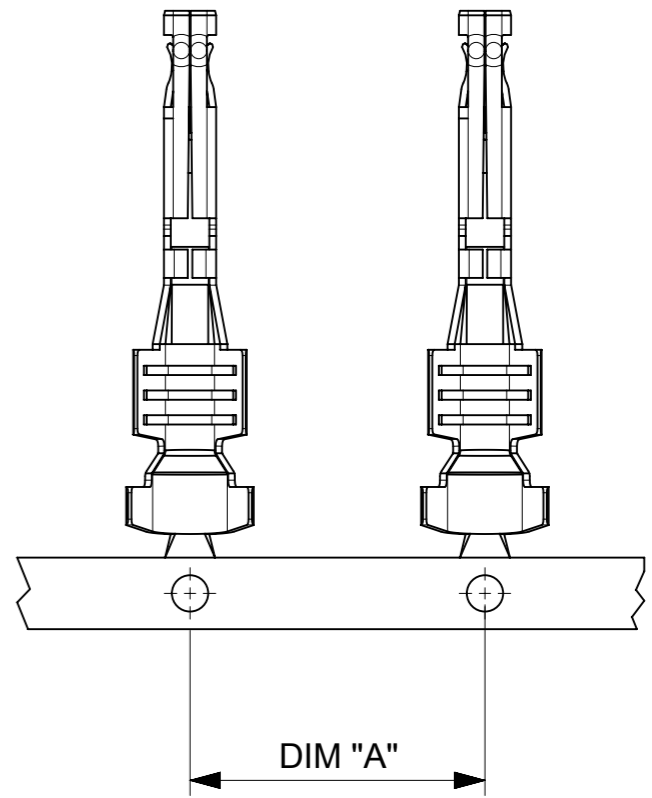
SECTION F-F

CONDUCTOR AND INSULATION 12 AWG WIRE STYLES

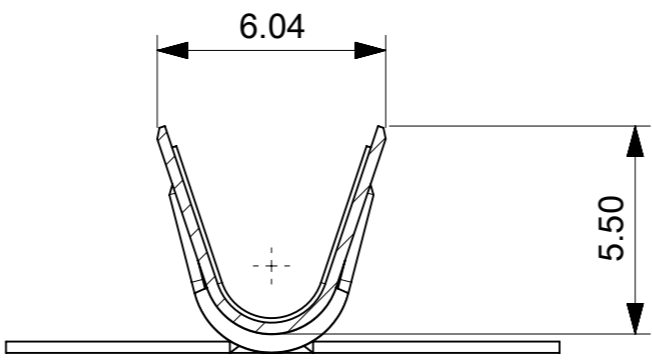
| | | | | | | | | | |
|---|---------------------------|--------------------------|--|--------------------------|--|----------------|----------|--------------|--|
| THIS DRAWING CONTAINS INFORMATION THAT IS PROPRIETARY TO MOLEX ELECTRONIC TECHNOLOGIES, LLC AND SHOULD NOT BE USED WITHOUT WRITTEN PERMISSION | | | | | | | | | |
| DIMENSION UNITS | SCALE | CURRENT REV DESC: | | | | | | | |
| mm | NTS | | | | | | | | |
| GENERAL TOLERANCES (UNLESS SPECIFIED) | | EC NO: 722781 | | | MEGA-FIT MALE TML FOR 14/16AWG, 12AWG, AND 10AWG WIRE | | | | |
| ANGULAR TOL ± 3.0° | | DRWN: WYATTH5 2022/10/20 | | | | | | | |
| 4 PLACES ± | CHK'D: XQZHANG 2022/10/27 | | | PRODUCT CUSTOMER DRAWING | | | | | |
| 3 PLACES ± | APPR: XQZHANG 2022/10/27 | | | | | | | | |
| 2 PLACES ± 0.25 | INITIAL REVISION: | | | DOCUMENT NUMBER | | DOC TYPE | DOC PART | REVISION | |
| 1 PLACE ± 0.35 | DRWN: YXZHENG 2016/12/15 | | | 1054170100 | | PSD | 000 | C3 | |
| 0 PLACES ± | APPR: YXZHENG 2018/08/06 | | | MATERIAL NUMBER | | CUSTOMER | | SHEET NUMBER | |
| DRAFT WHERE APPLICABLE MUST REMAIN WITHIN DIMENSIONS | | THIRD ANGLE PROJECTION | | DRAWING | SERIES | GENERAL MARKET | | 2 OF 3 | |
| | | | | A3-SIZE | 105417 | | | | |



10 AWG WIRE STYLES



SECTION M-M



SECTION N-N

CONDUCTOR AND INSULATION 10 AWG WIRE STYLES

| | | | | | | | | | |
|---|--|-------|--|---------------------------|--|-----------------|--|---|--|
| THIS DRAWING CONTAINS INFORMATION THAT IS PROPRIETARY TO MOLEX ELECTRONIC TECHNOLOGIES, LLC AND SHOULD NOT BE USED WITHOUT WRITTEN PERMISSION | | | | | | | | | |
| DIMENSION UNITS | | SCALE | | CURRENT REV DESC: | | | | molex | |
| mm | | NTS | | | | | | | |
| GENERAL TOLERANCES (UNLESS SPECIFIED) | | | | EC NO: 722781 | | | | MEGA-FIT MALE TML FOR 14/16AWG, 12AWG, AND 10AWG WIRE | |
| ANGULAR TOL ± 3.0 ° | | | | DRWN: WYATTH5 2022/10/20 | | | | PRODUCT CUSTOMER DRAWING | |
| 4 PLACES ± | | | | CHK'D: XQZHANG 2022/10/27 | | | | DOCUMENT NUMBER | |
| 3 PLACES ± | | | | APPR: XQZHANG 2022/10/27 | | | | 1054170100 | |
| 2 PLACES ± 0.25 | | | | INITIAL REVISION: | | | | DOC TYPE | |
| 1 PLACE ± 0.35 | | | | DRWN: YXZHENG 2016/12/15 | | | | PSD | |
| 0 PLACES ± | | | | APPR: YXZHENG 2018/08/06 | | | | DOC PART | |
| DRAFT WHERE APPLICABLE MUST REMAIN WITHIN DIMENSIONS | | | | THIRD ANGLE PROJECTION | | DRAWING | | REVISION | |
| | | | | A3-SIZE | | SERIES | | SHEET NUMBER | |
| | | | | 105417 | | MATERIAL NUMBER | | 3 OF 3 | |
| | | | | | | CUSTOMER | | | |
| | | | | | | GENERAL MARKET | | | |