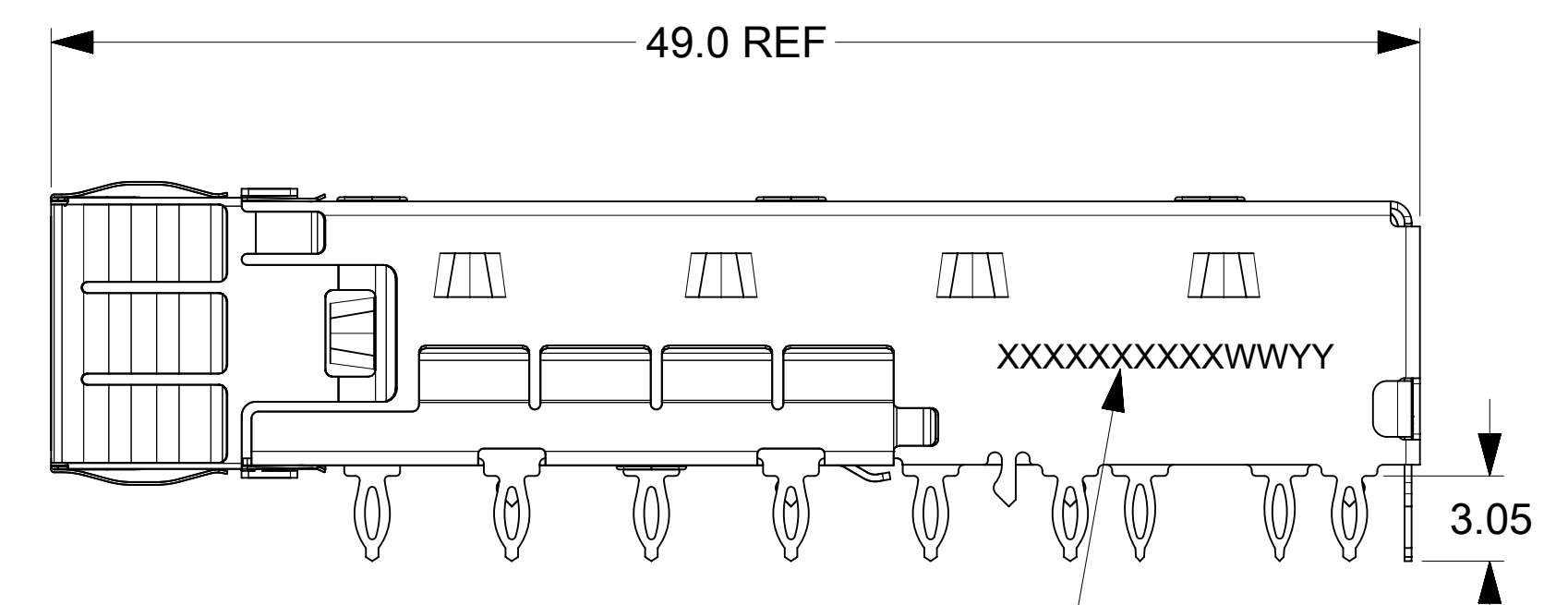
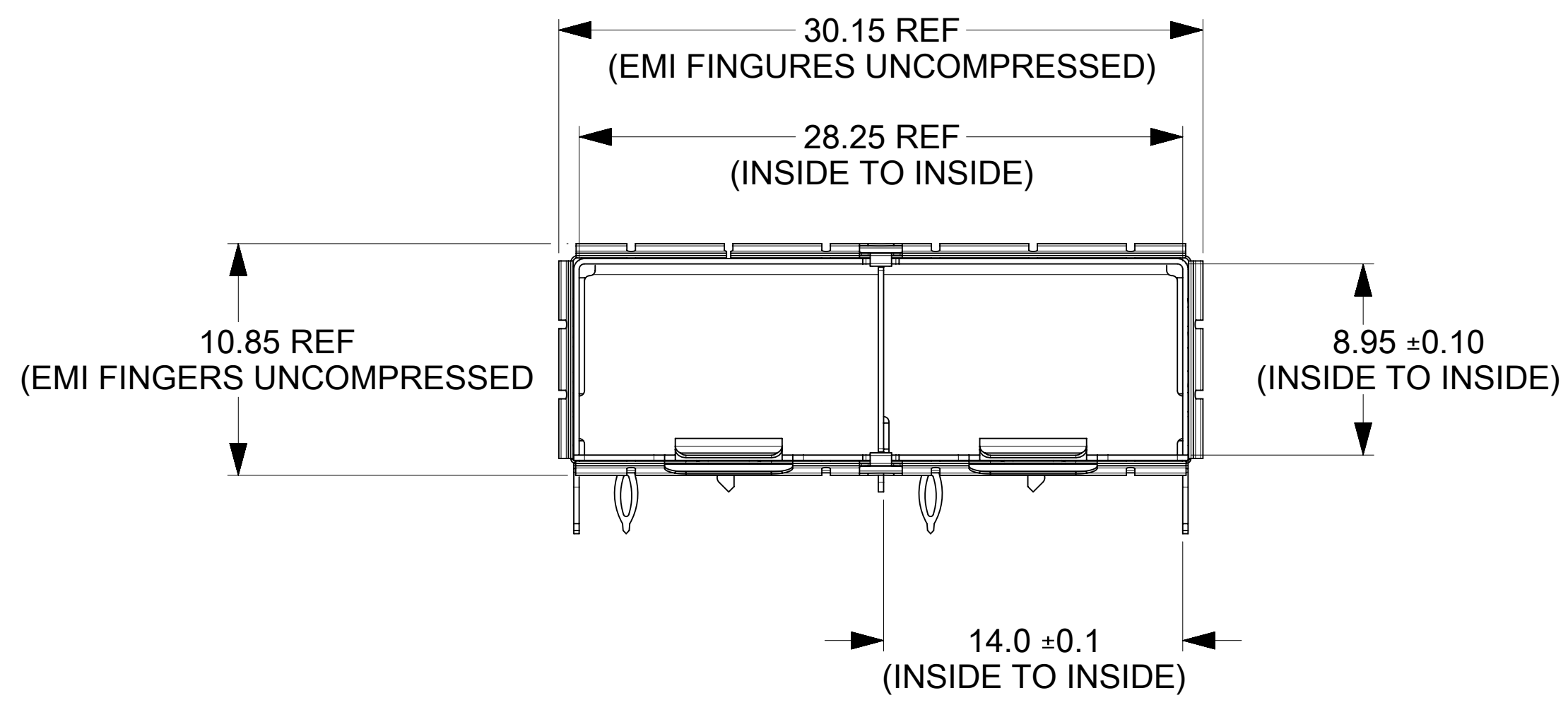
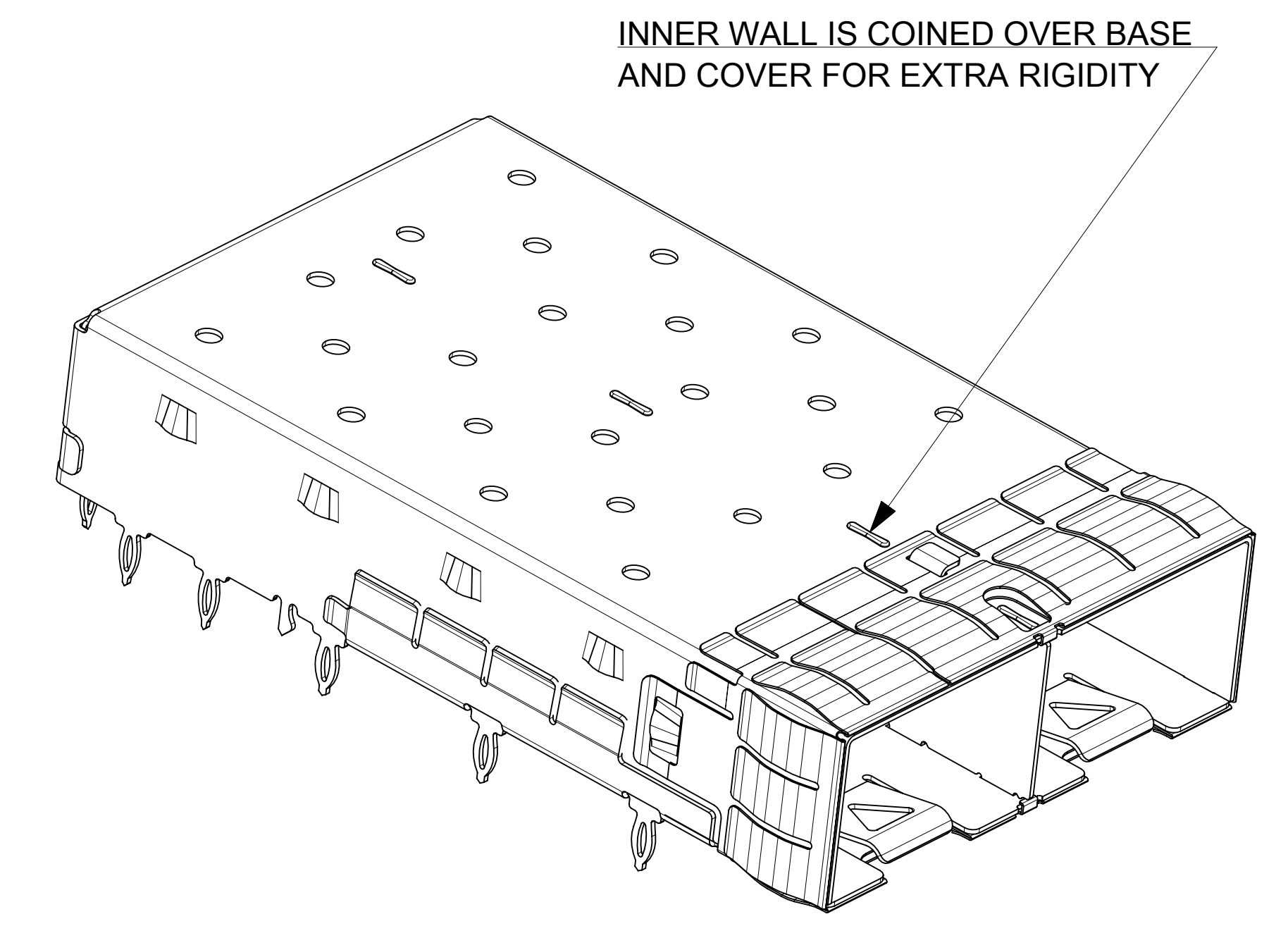
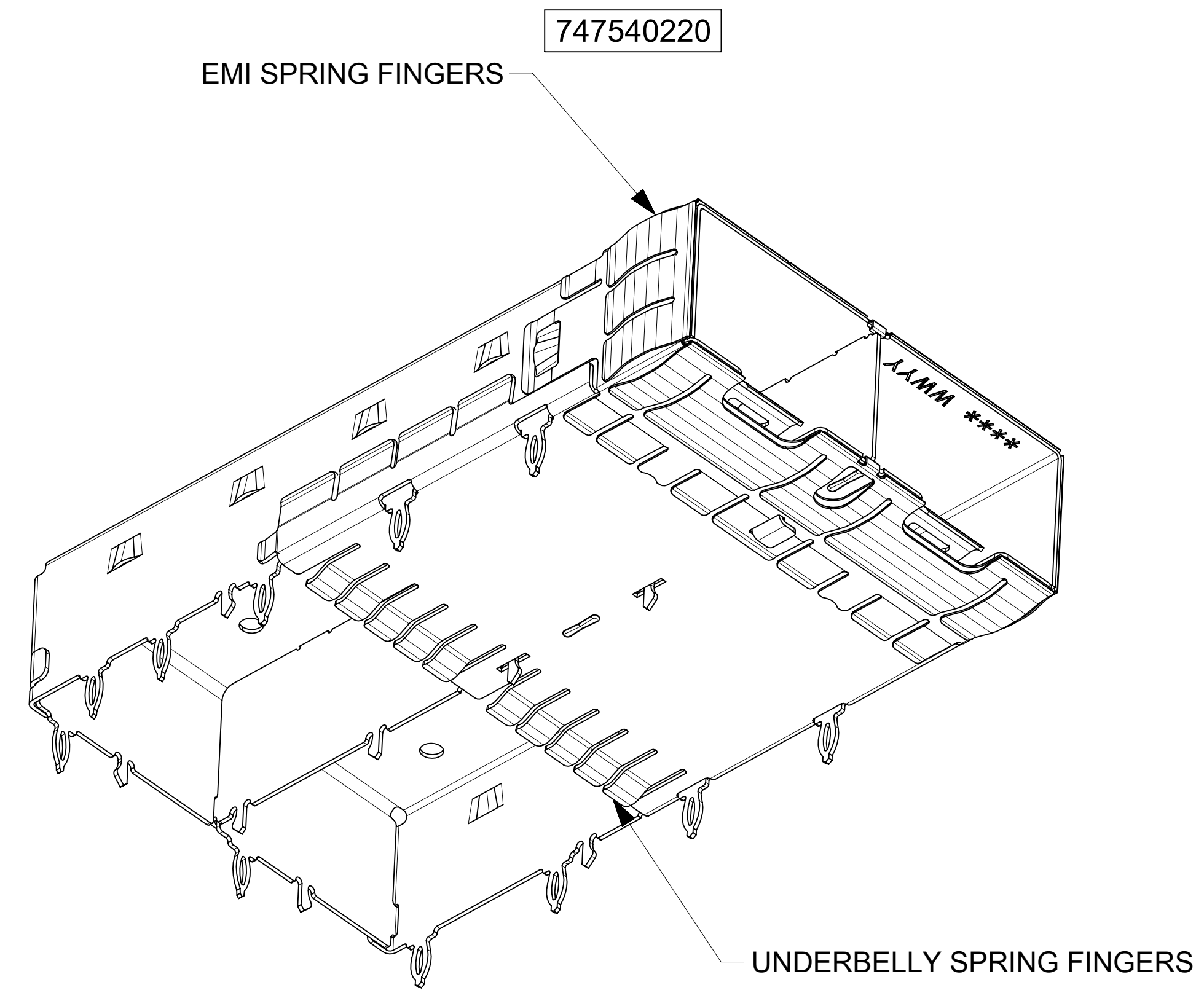
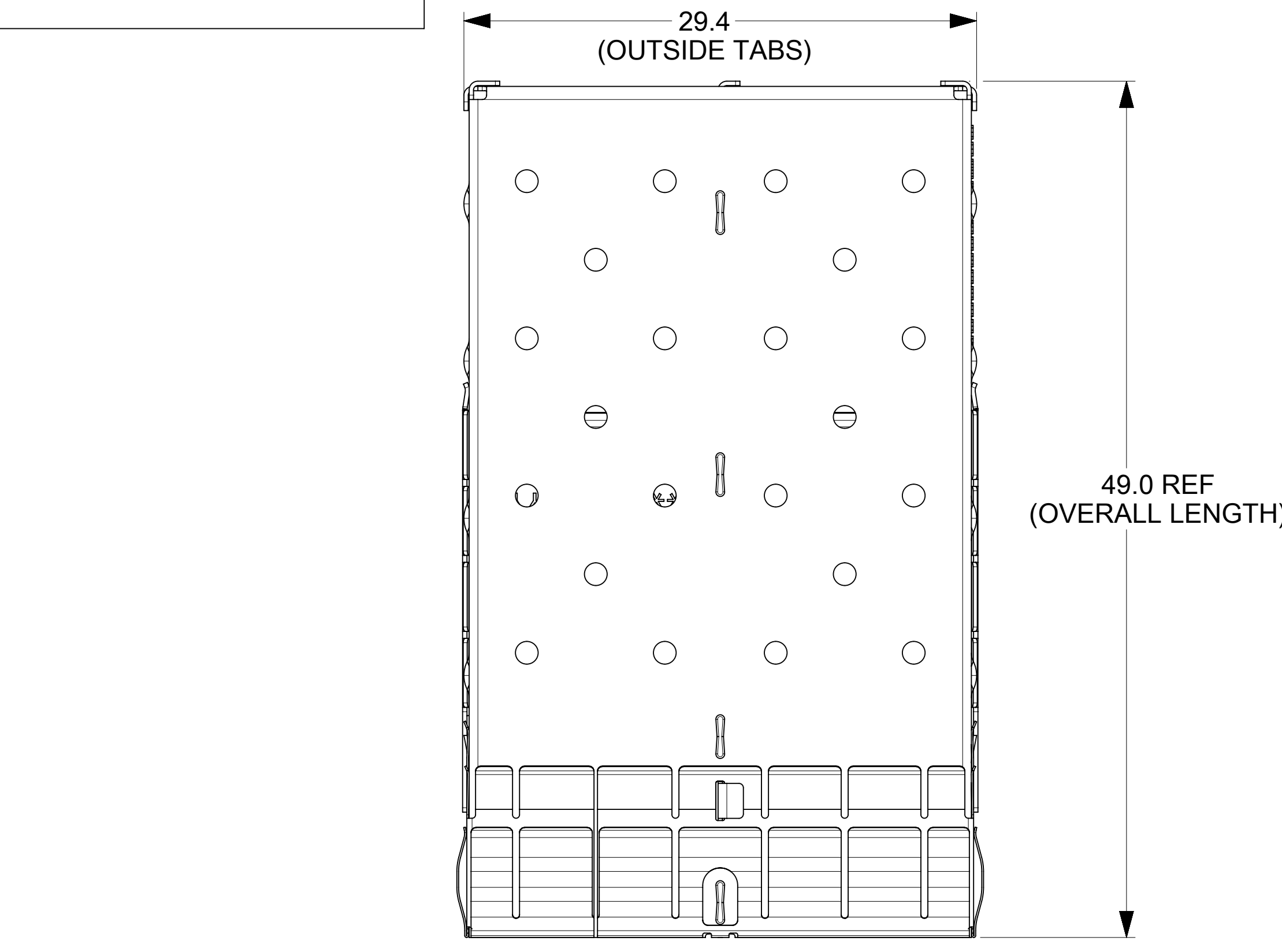
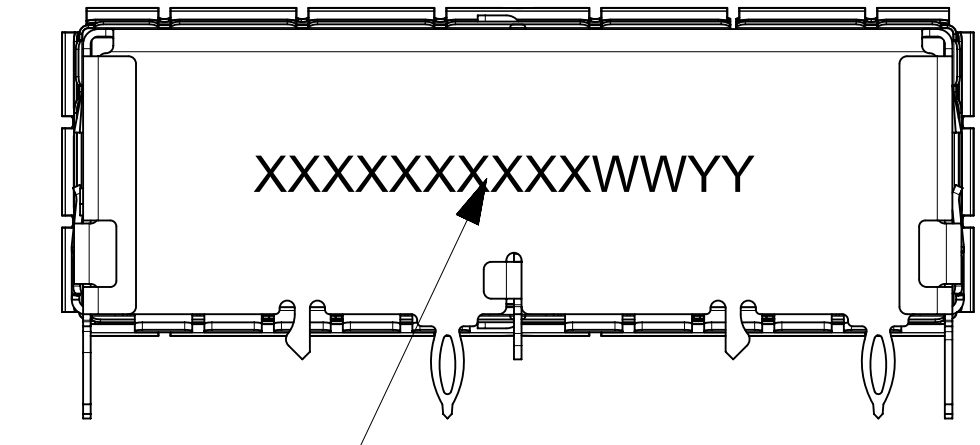


BASE CAGE DETAILS



PN/DATE CODE TO BE PRINTED IN APPROXIMATE AREA AS SHOWN. FOR 111112 SERIES CAGE

PN/DATE CODE TO BE PRINTED ON THE BACK OF COMPLETED CAGE ASSEMBLY APPROXIMATELY AS SHOWN. FOR 74754 AND 100113 SERIES CAGE (747540247 NO NEED PRINTED)



NOTES:

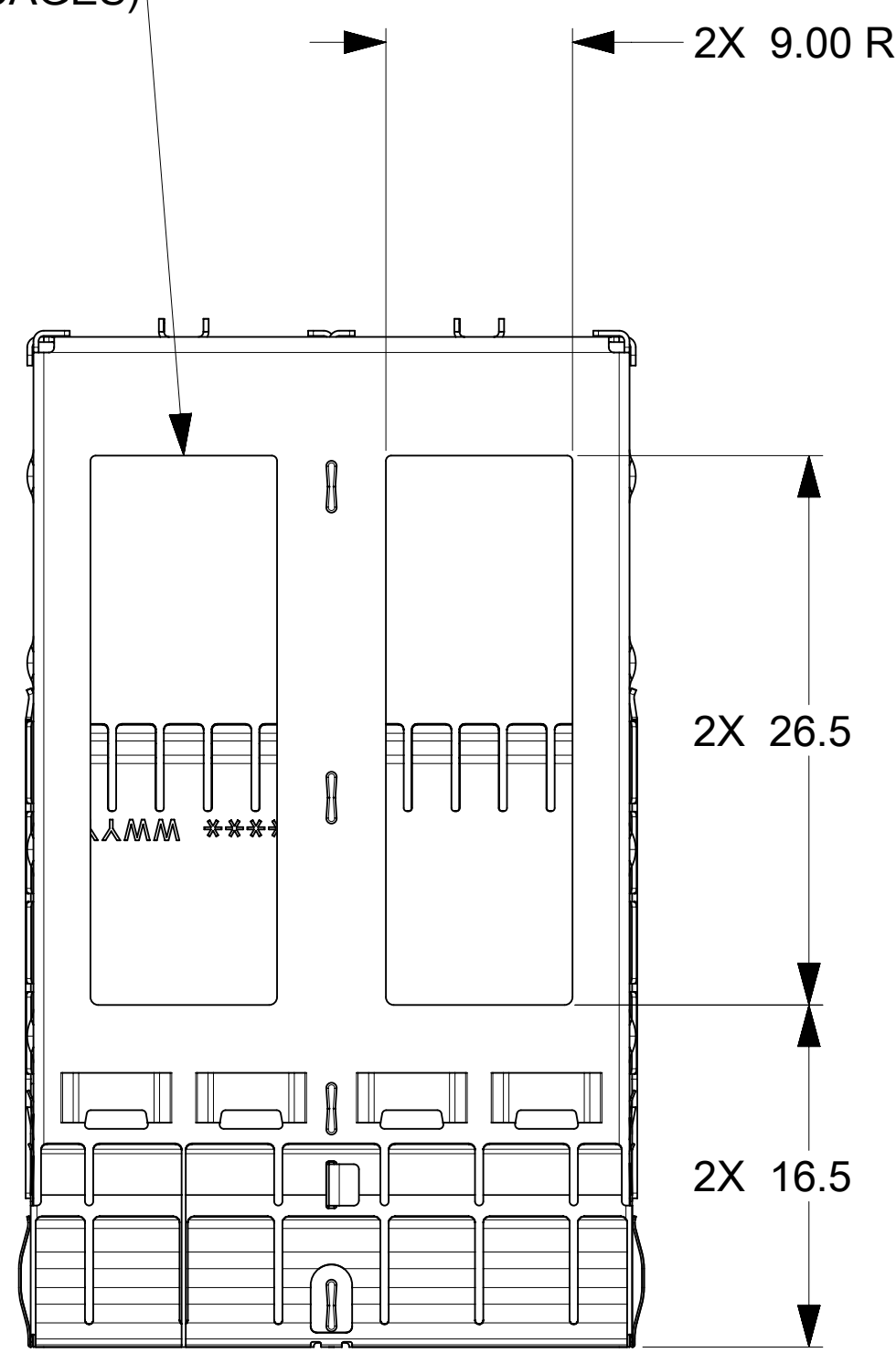
- MATERIAL:**
 CAGE: 0.25mm THICK COPPER ALLOY, NICKEL PLATED.
 SPRING FINGERS: 0.10mm THICK COPPER ALLOY, NICKEL PLATED.
 HEATSINK: ALUMINUM, NICKEL PLATED.
 HEATSINK SPRING CLIP: STAINLESS STEEL.
- PRESS FIT LEGS 3.05mm [.120 INCH] LONG
- PORTS ARE DESIGNED FOR SFP+ TRANSCEIVERS AND ARE COMPATIBLE WITH SFP TRANSCEIVERS. THE TOP SURFACE OF THE MODULE MUST BE FLAT (NO PRODUCT LABEL RECESS) AND THERMALLY CONDUCTIVE TO FUNCTION OPTIMALLY.
- WELD SPOT MAY SHOW SLIGHT MATERIAL DISCOLORATION.
- NO ROHS EXEMPTIONS.
- CUSTOM HEATSINKS AVAILABLE UPON REQUEST.

WEEK/YEAR DATE CODE TABLE	
WW	01 THRU 52 OR 53 EXAMPLE: 01 = FIRST WEEK OF YEAR 52 = LAST WEEK OF YEAR
YY	11, 12, 13 ETC. EXAMPLE: YEAR 2013 = 13

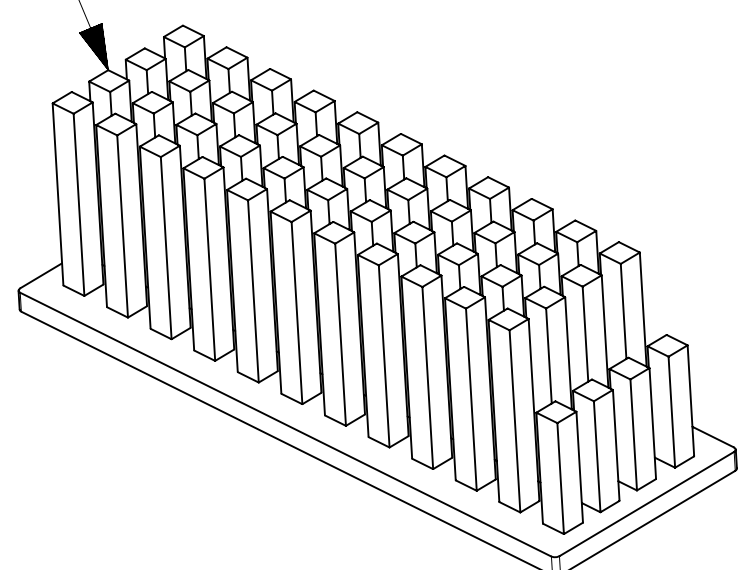
THIS DRAWING CONTAINS INFORMATION THAT IS PROPRIETARY TO MOLEX ELECTRONIC TECHNOLOGIES, LLC AND SHOULD NOT BE USED WITHOUT WRITTEN PERMISSION										
DIMENSION UNITS	SCALE	CURRENT REV DESC: OBSOLETE PART NUMBER AS PER PCN#509457.								
mm	4:1	<p>SFP+ 1X2 CAGE, .120 INCH PRESS FIT, HEAT SINK, EMI SPRING FINGERS</p> <p>PRODUCT CUSTOMER DRAWING</p>								
GENERAL TOLERANCES (UNLESS SPECIFIED)										
	MM									INCH
4 PLACES	±									±
3 PLACES	±									±
2 PLACES	± 0.13									±
1 PLACE	± 0.25	±								
0 PLACES	±	±								
ANGULAR TOL	± °									
DRAFT WHERE APPLICABLE MUST REMAIN WITHIN DIMENSIONS		THIRD ANGLE PROJECTION	DRAWING	SERIES	MATERIAL NUMBER	CUSTOMER	SHEET NUMBER			
			D-SIZE	111112	SEE SHEET 4	GENERAL MARKET	1 OF 8			

CAGE ASSEMBLY OPTIONS

OPEN TOP
1111120220
SHOWN
(APPLIES TO ALL
OPEN TOP CAGES)



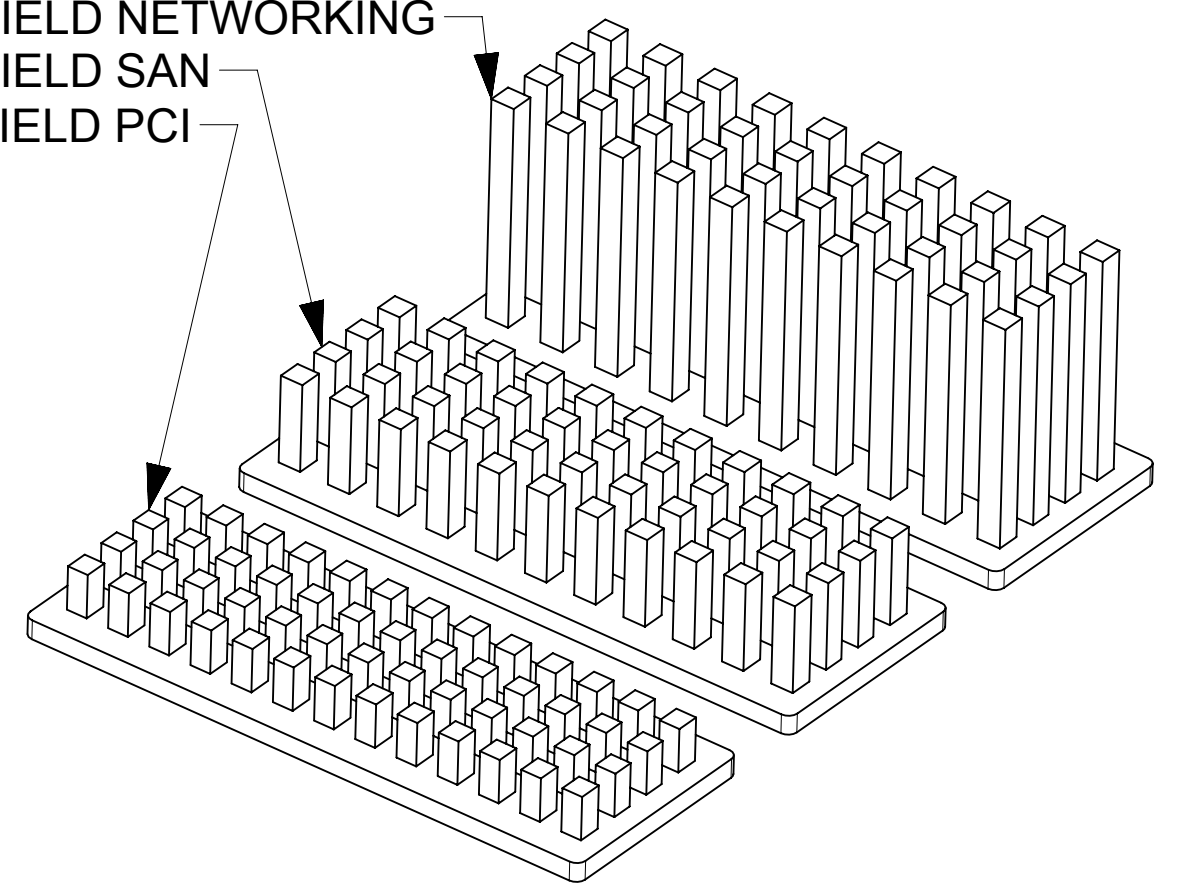
HEATSINK OPTIONS
(2 PLC)
CUSTOM



OVERALL HEAT SINK HEIGHT

STYLE	DIM 'A'	DIM 'B'
CUSTOM	20.4	16.7

HEATSINK OPTIONS
(2 PLC)
PIN FIELD NETWORKING
PIN FIELD SAN
PIN FIELD PCI

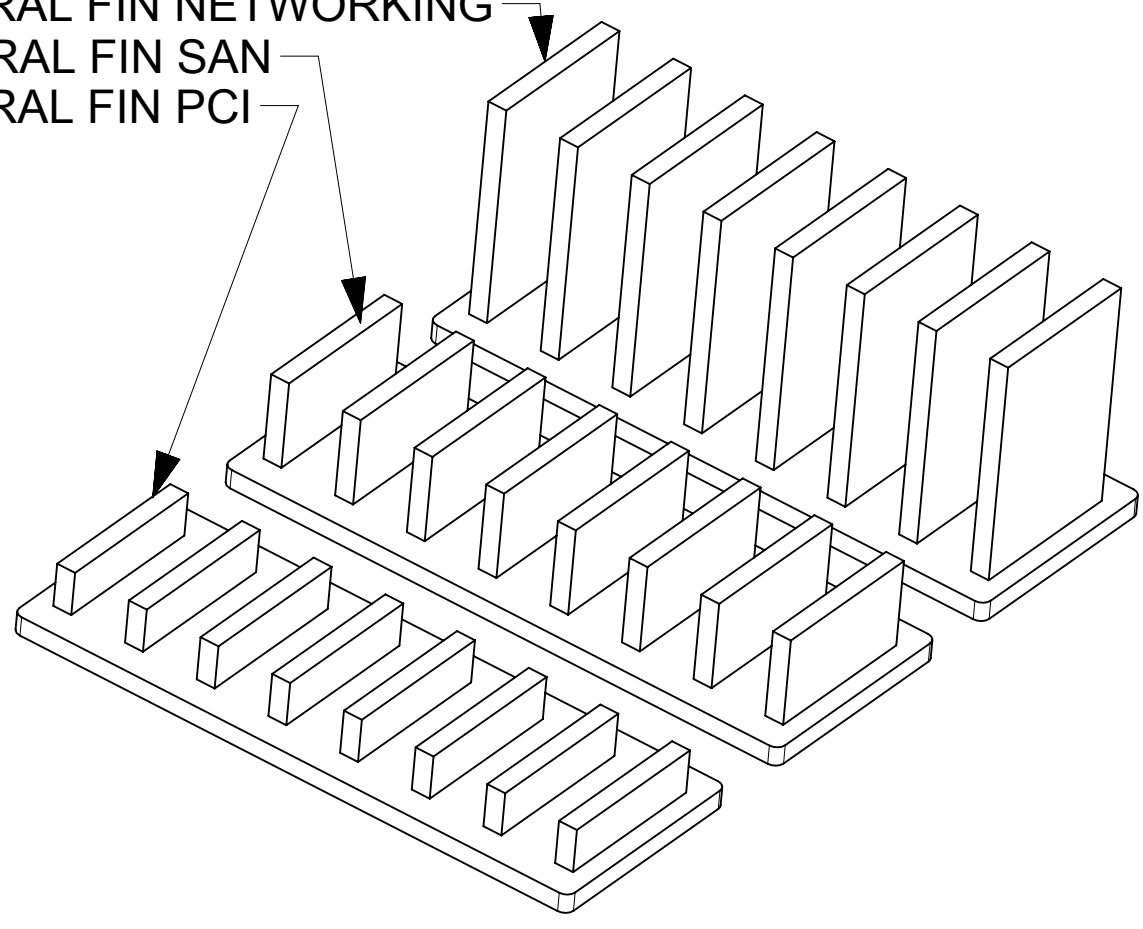


OVERALL HEATSINK HEIGHT

APPLICATION	STYLE	DIM 'A'
PCI	PIN FIELD	14.3
SAN	PIN FIELD	16.6
NETWORKING	PIN FIELD	23.6

NOTE: PCI- 13 ROWS
SAN- 11 ROWS
NETWORKING- 10 ROWS

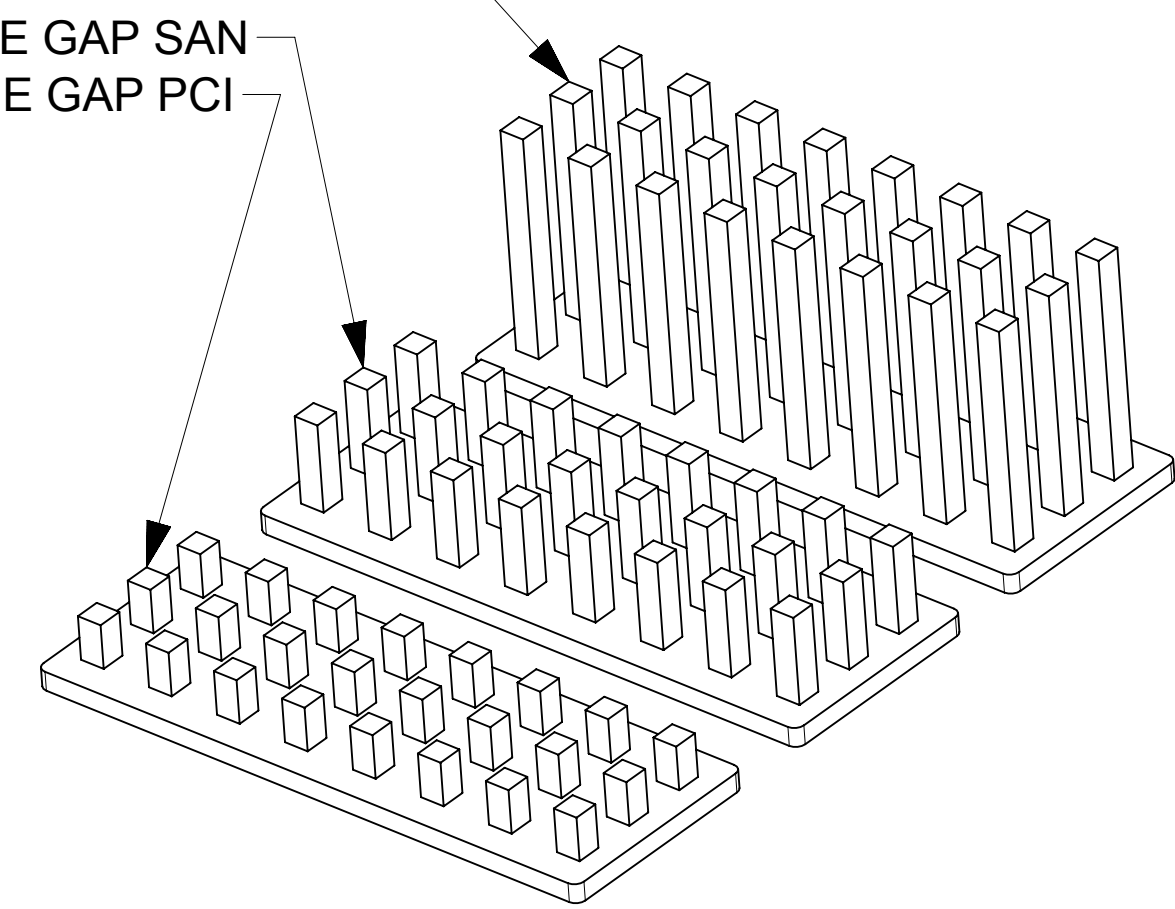
HEATSINK OPTIONS
(2 PLC)
LATERAL FIN NETWORKING
LATERAL FIN SAN
LATERAL FIN PCI



OVERALL HEATSINK HEIGHT

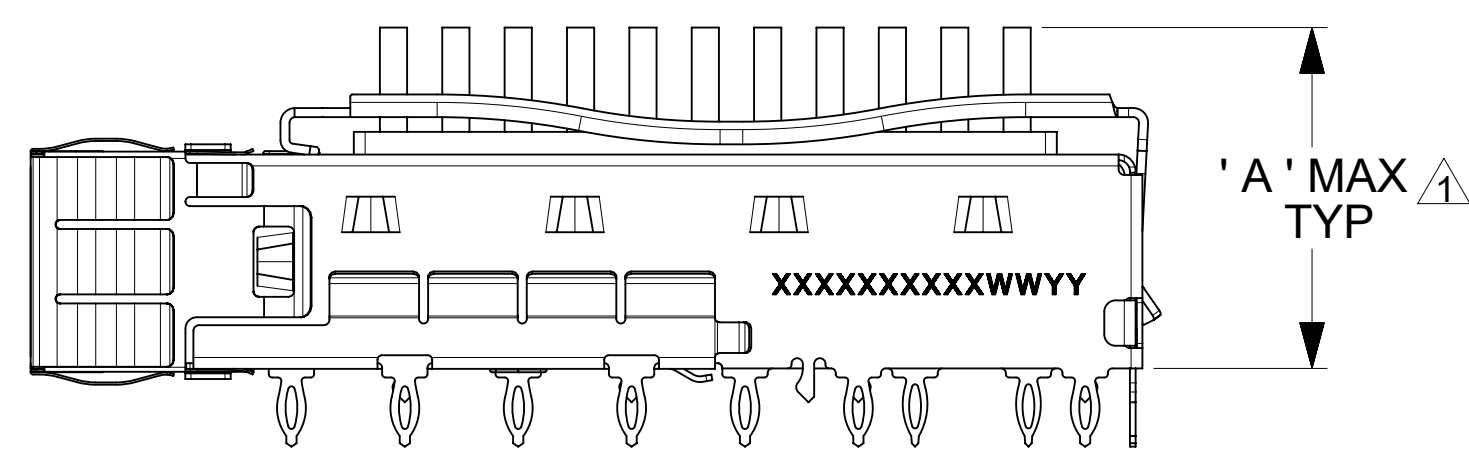
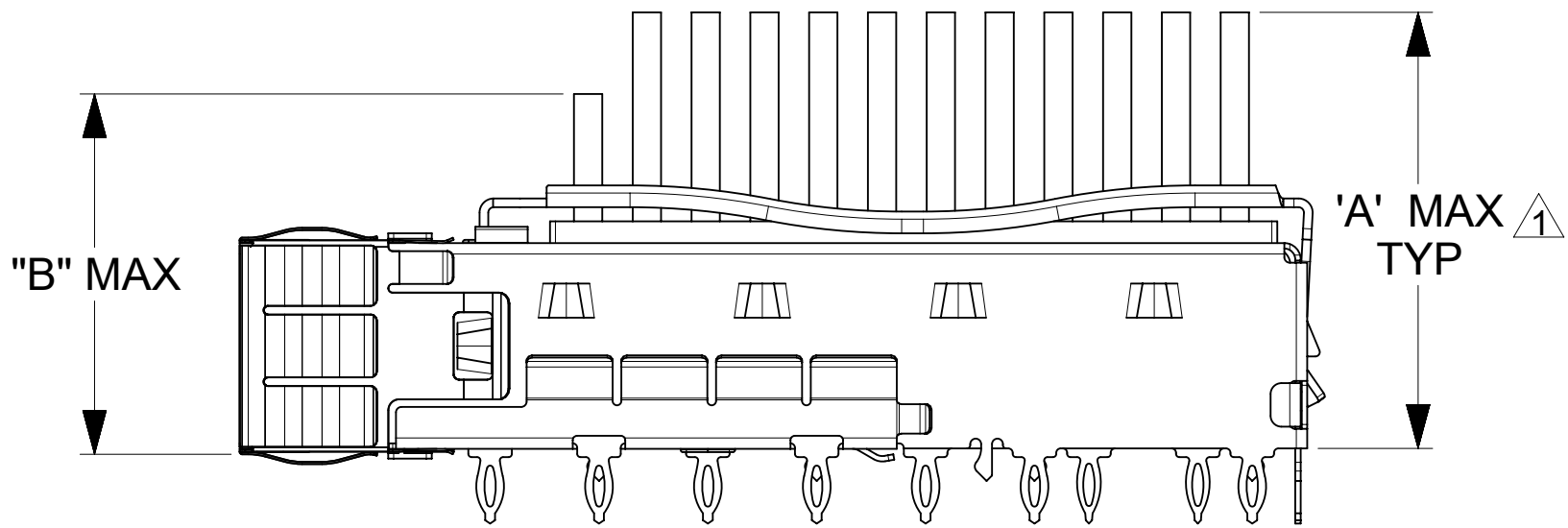
APPLICATION	STYLE	DIM 'A'
PCI	LATERAL FIELD	14.3
SAN	LATERAL FIELD	16.6
NETWORKING	LATERAL FIELD	23.6

HEATSINK OPTIONS
(2 PLC)
WIDE GAP NETWORKING
WIDE GAP SAN
WIDE GAP PCI

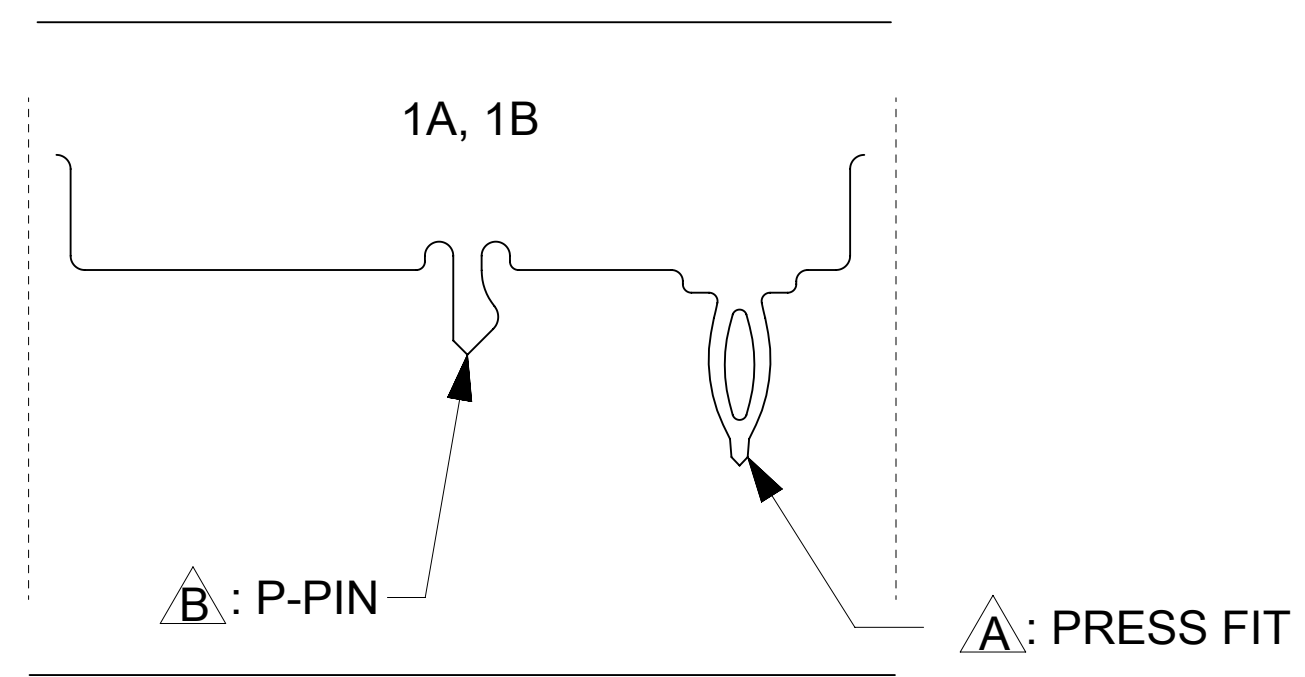


OVERALL HEATSINK HEIGHT

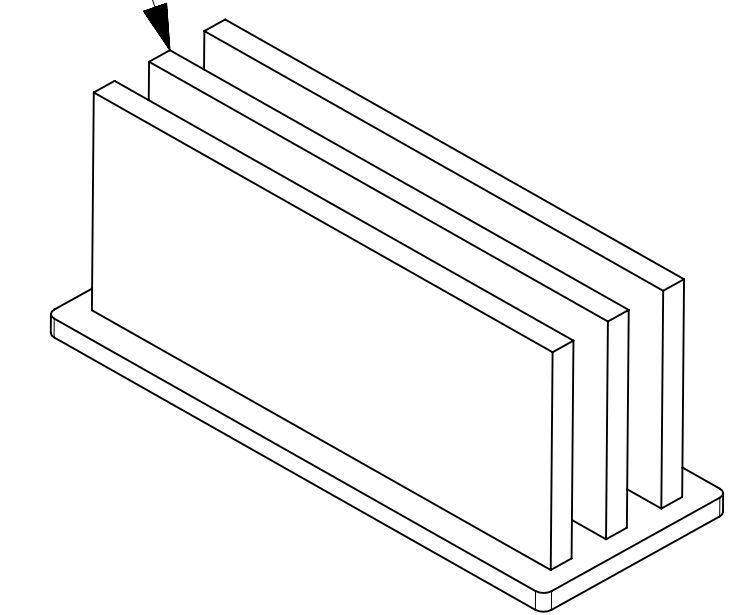
APPLICATION	TYLE	DIM 'A'
PCI	WIDE GAP PIN	14.3
SAN	WIDE GAP PIN	16.6
NETWORKING	WIDE GAP PIN	23.6



REAR LEG OPTIONS (PER REPORT)



HEATSINK OPTIONS
CUSTOM FIN



OVERALL HEATSINK HEIGHT

APPLICATION	DIM 'A'
CUSTOM	23.6

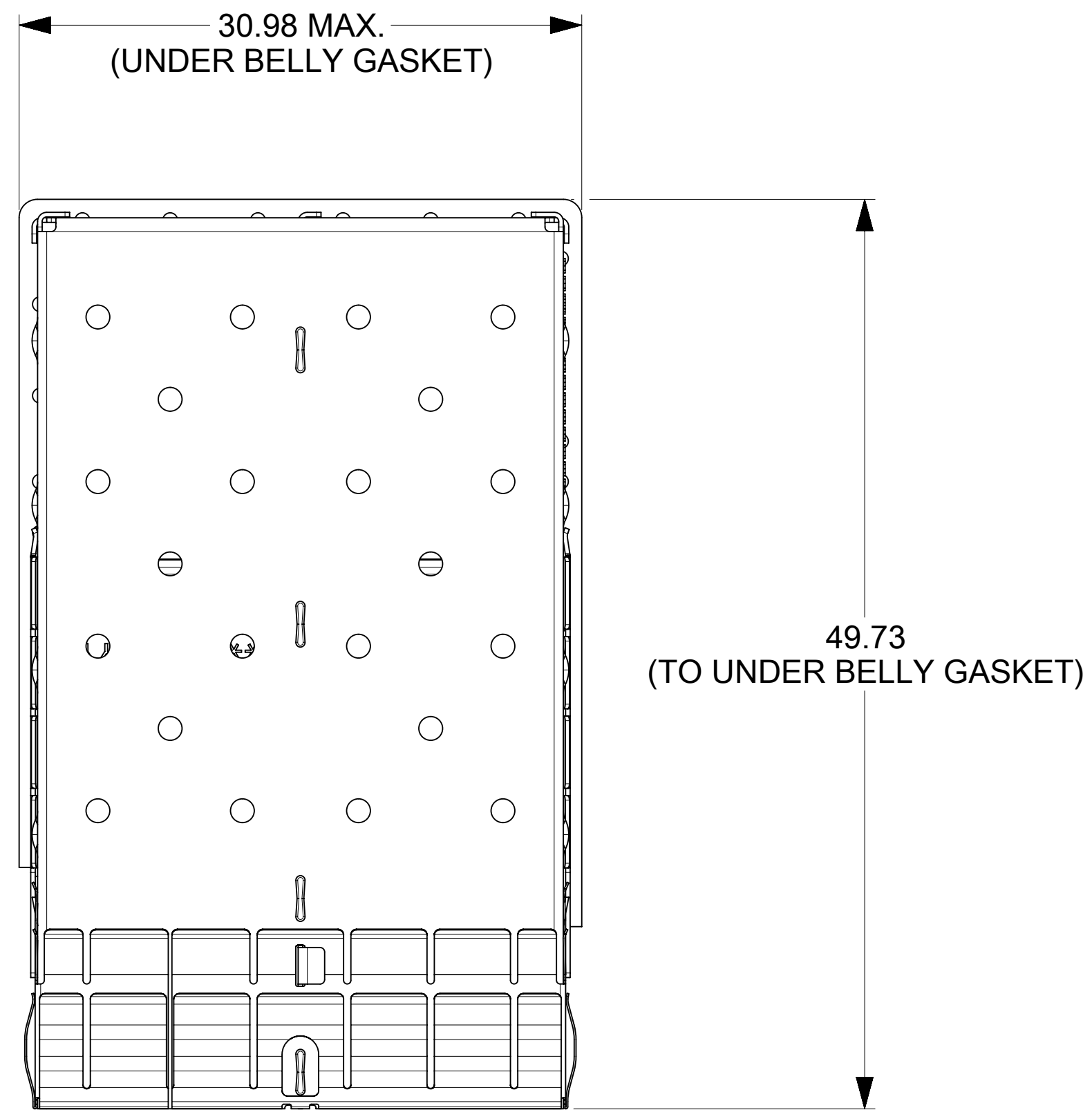
WEEK/YEAR DATE CODE TABLE

WW	01 THRU 52 OR 53 EXAMPLE: 01 = FIRST WEEK OF YEAR 52 = LAST WEEK OF YEAR
YY	11, 12, 13 ETC. EXAMPLE: YEAR 2013 = 13

WITH MODULE INSERTED. DIMENSION MAY BE LESS DUE TO MODULE AND HEATSINK VARIATIONS

THIS DRAWING CONTAINS INFORMATION THAT IS PROPRIETARY TO MOLEX ELECTRONIC TECHNOLOGIES, LLC AND SHOULD NOT BE USED WITHOUT WRITTEN PERMISSION

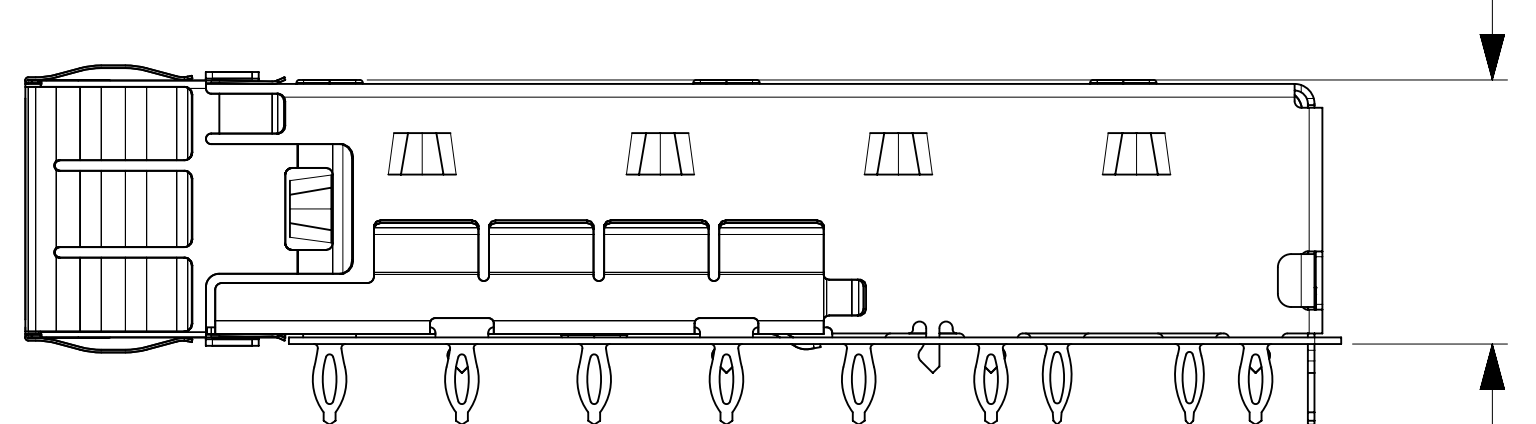
DIMENSION UNITS mm	SCALE 3:1	CURRENT REV DESC: OBSOLETE PART NUMBER AS PER PCN#509457.	
GENERAL TOLERANCES (UNLESS SPECIFIED)		EC NO: 680890	
	MM	INCH	2021/06/24
4 PLACES	±	±	2021/11/25
3 PLACES	±	±	2021/11/25
2 PLACES	± 0.13	±	
1 PLACE	± 0.25	±	
0 PLACES	±	±	
ANGULAR TOL	±	°	
DRAFT WHERE APPLICABLE MUST REMAIN WITHIN DIMENSIONS		THIRD ANGLE PROJECTION	DRAWING
			D-SIZE
		SERIES	111112
DOCUMENT NUMBER		CUSTOMER	GENERAL MARKET
SD-11112-2220		DOC TYPE	PSD
DOC PART		001	J
REVISION			
SHEET NUMBER		2 OF 8	



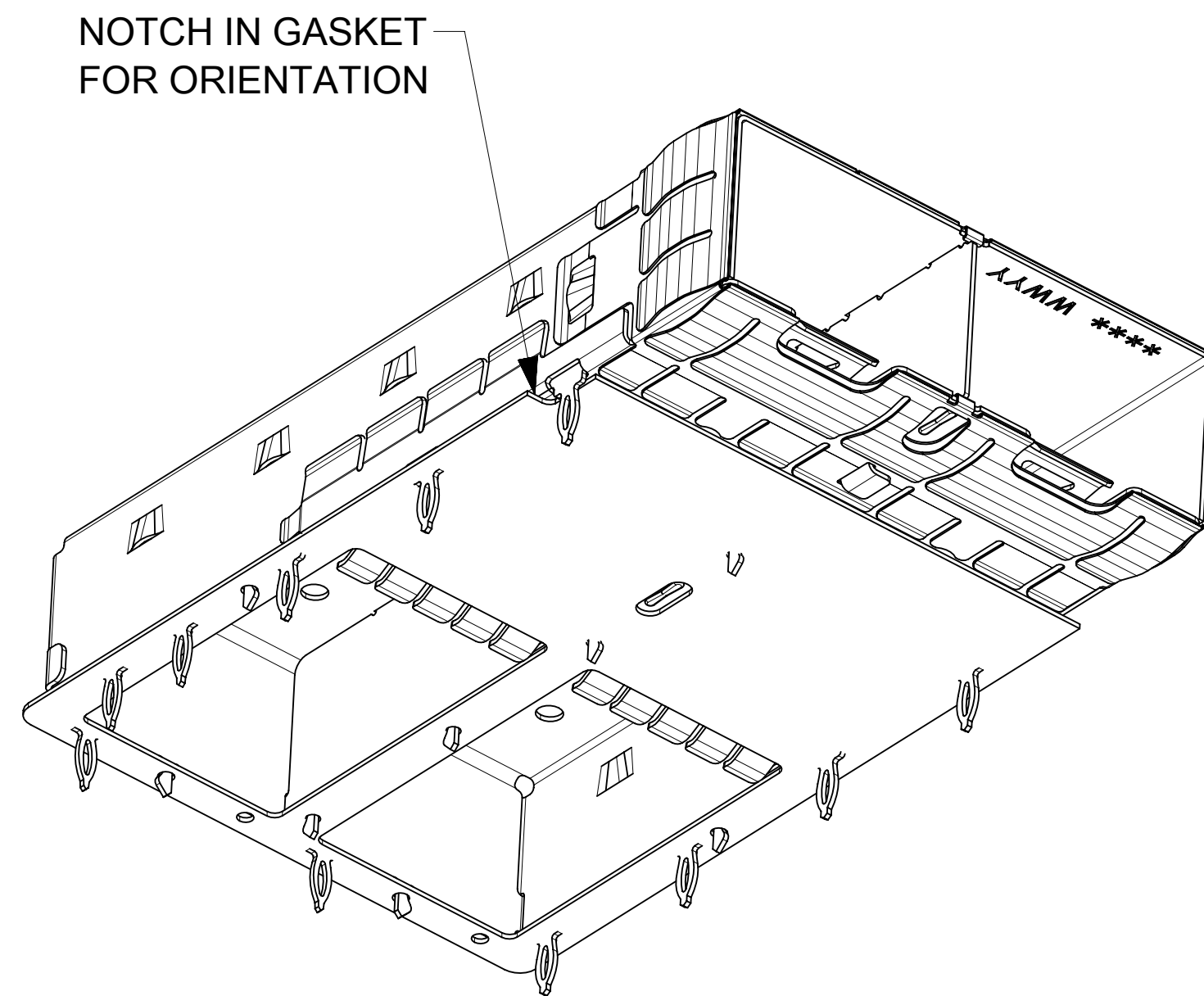
OPTIONAL GEN 2 zSFP+ UNDER BELLY GASKET

1001130220

SHOWN



9.98 REF
TOP OF COIN TO
PCB PAD SURFACE
(WHEN PRESSED INTO BOARD)

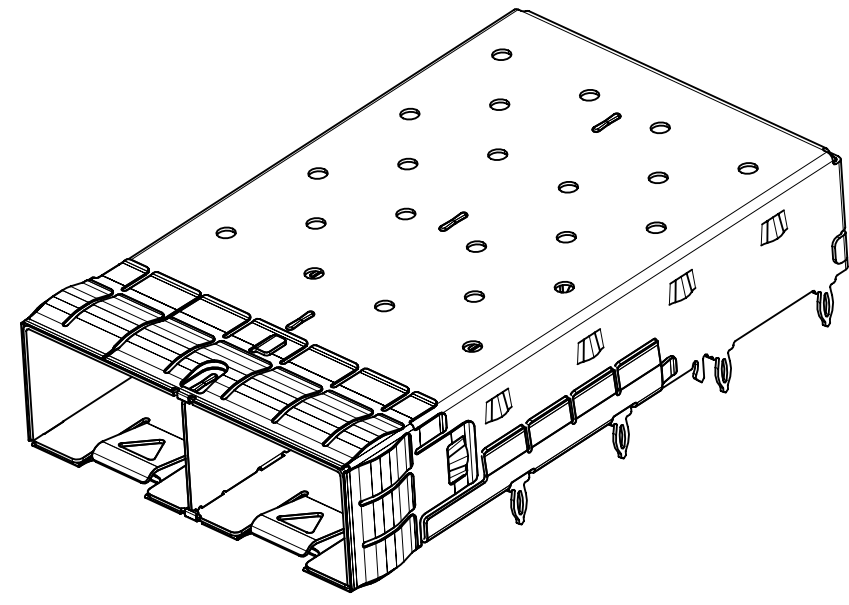


NOTE:
1. UNDER BELLY GASKET IS UL94 V-0 RATED

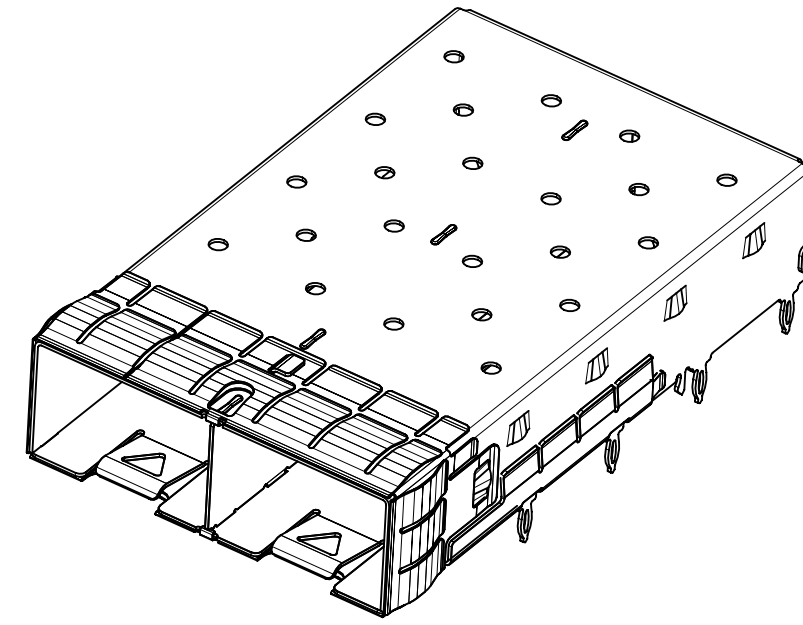
THIS DRAWING CONTAINS INFORMATION THAT IS PROPRIETARY TO MOLEX ELECTRONIC TECHNOLOGIES, LLC AND SHOULD NOT BE USED WITHOUT WRITTEN PERMISSION

DIMENSION UNITS mm		SCALE 3.5:1		CURRENT REV DESC: OBSOLETE PART NUMBER AS PER PCN#509457.		<p>SFP+ 1X2 CAGE, .120 INCH PRESS FIT, HEAT SINK, EMI SPRING FINGERS</p>					
GENERAL TOLERANCES (UNLESS SPECIFIED)				EC NO: 680890						DOC TYPE	
				DRWN: SANTHN		PSD		001		J	
4 PLACES ±		±		CHK'D: GGA		2021/06/24		SD-11112-2220		3 OF 8	
3 PLACES ±		±		APPR: GGA		2021/11/25		SEE SHEET 4		GENERAL MARKET	
2 PLACES ±		0.13 ±		INITIAL REVISION:		2013/11/21					
1 PLACE ±		0.25 ±		DRWN: JERWIN							
0 PLACES ±		±		APPR:							
ANGULAR TOL		± °		THIRD ANGLE PROJECTION		DRAWING		SERIES		MATERIAL NUMBER	
DRAFT WHERE APPLICABLE MUST REMAIN WITHIN DIMENSIONS		THIRD ANGLE PROJECTION		DRAWING		SERIES		MATERIAL NUMBER		CUSTOMER	
		D-D-SIZE		111112		SEE SHEET 4		GENERAL MARKET		3 OF 8	

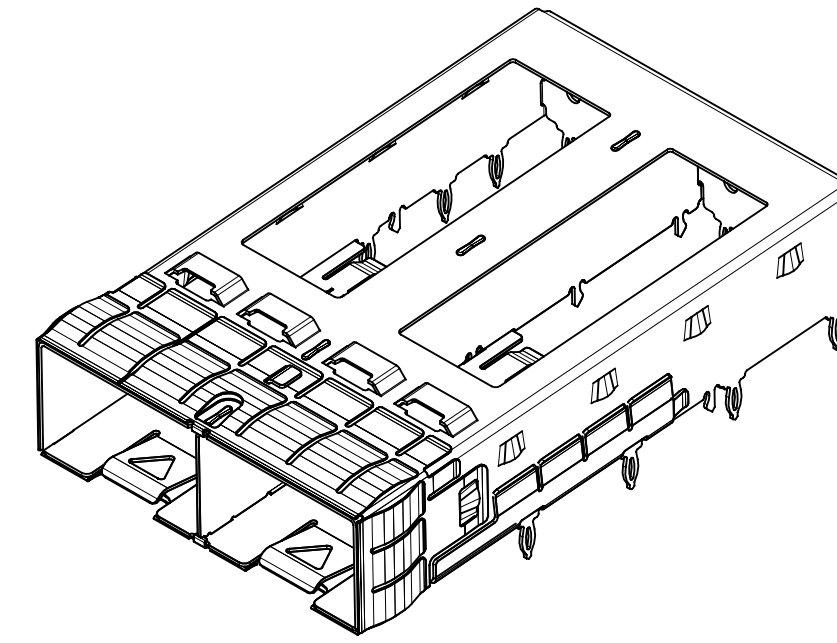
PART NUMBER SELECTION



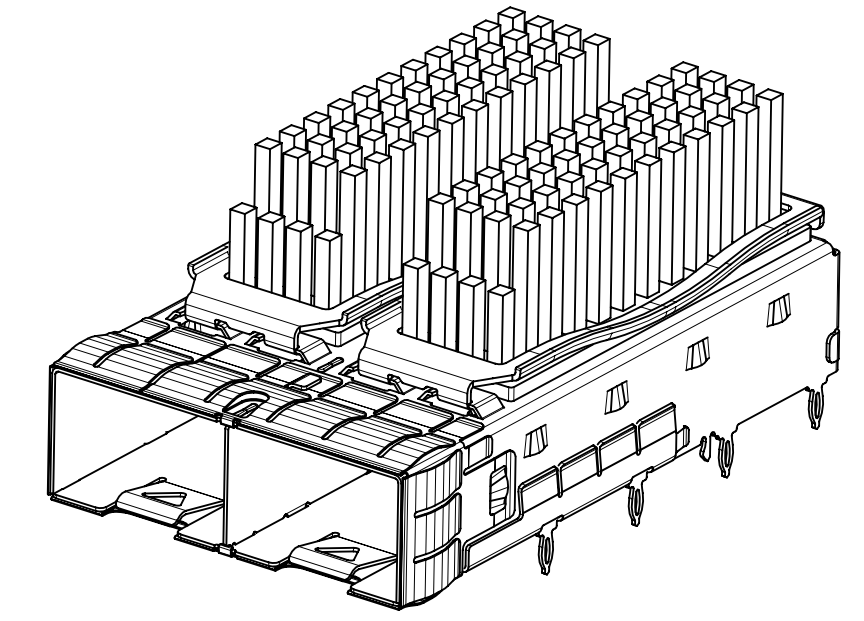
SFP+ CLOSED TOP BASE CAGE	
PART NO.	DESCRIPTION
747540220	SFP FOOTPRINT (STD B TO B), 5 WELD POINTS
747540222	SFP FOOTPRINT (STD B TO B), 16 WELD POINTS
747540247	SAME AS ABOVE BUT NO PN/DATE CODE PRINTED



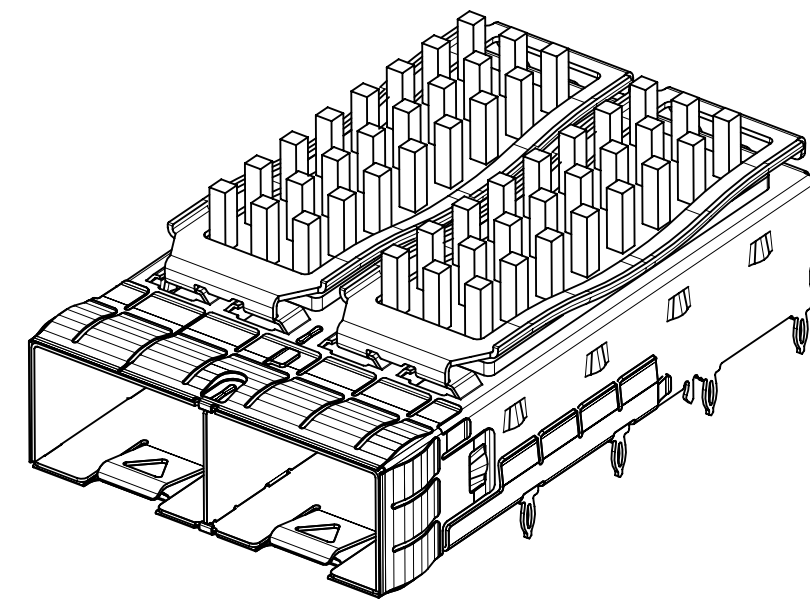
zSFP+ GEN 2 CLOSED TOP	
PART NO.	
1001130220	



SFP+ OPEN TOP BASE CAGE FOR HEATSINK	
PART NO.	
1111120220	



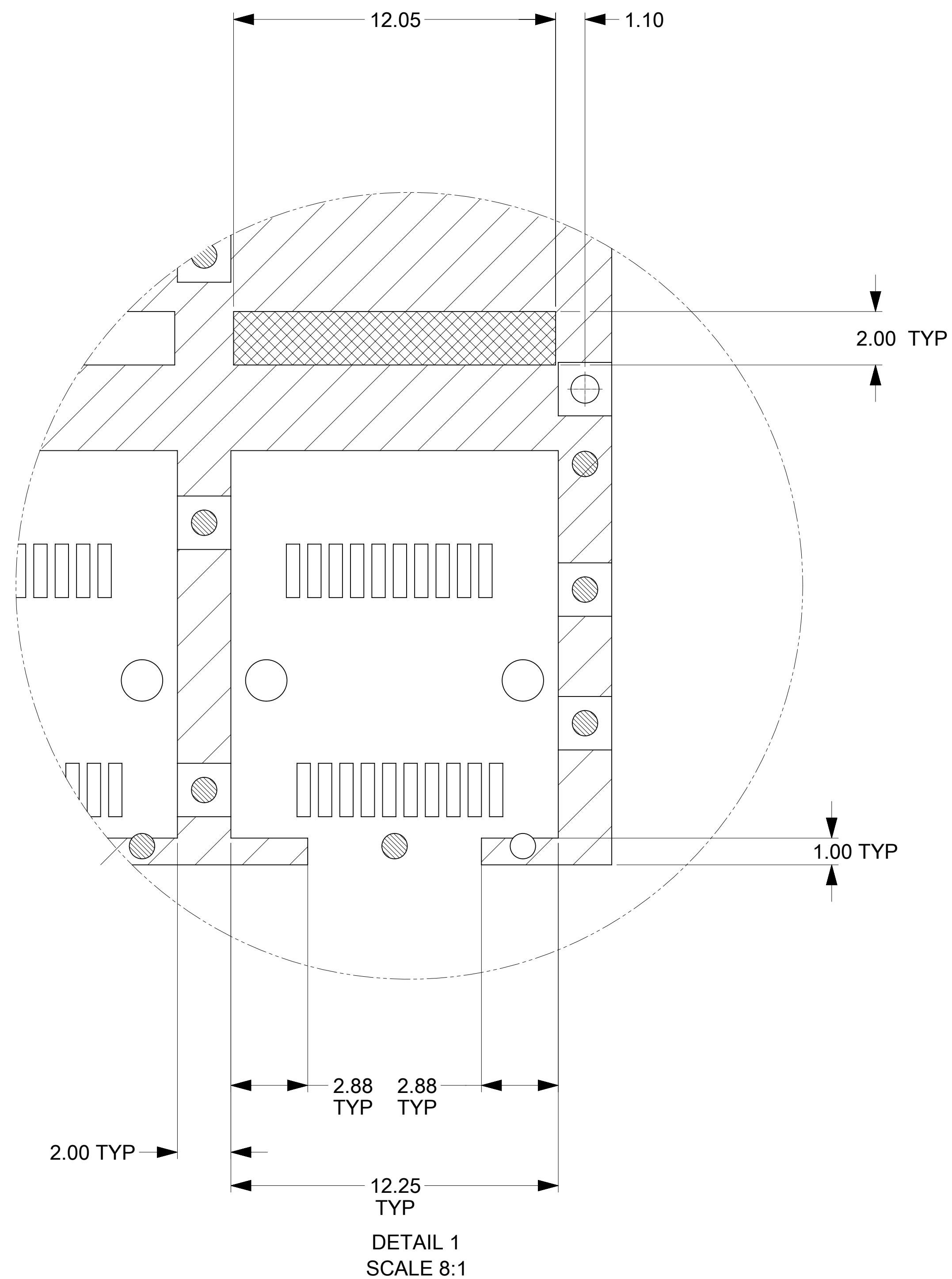
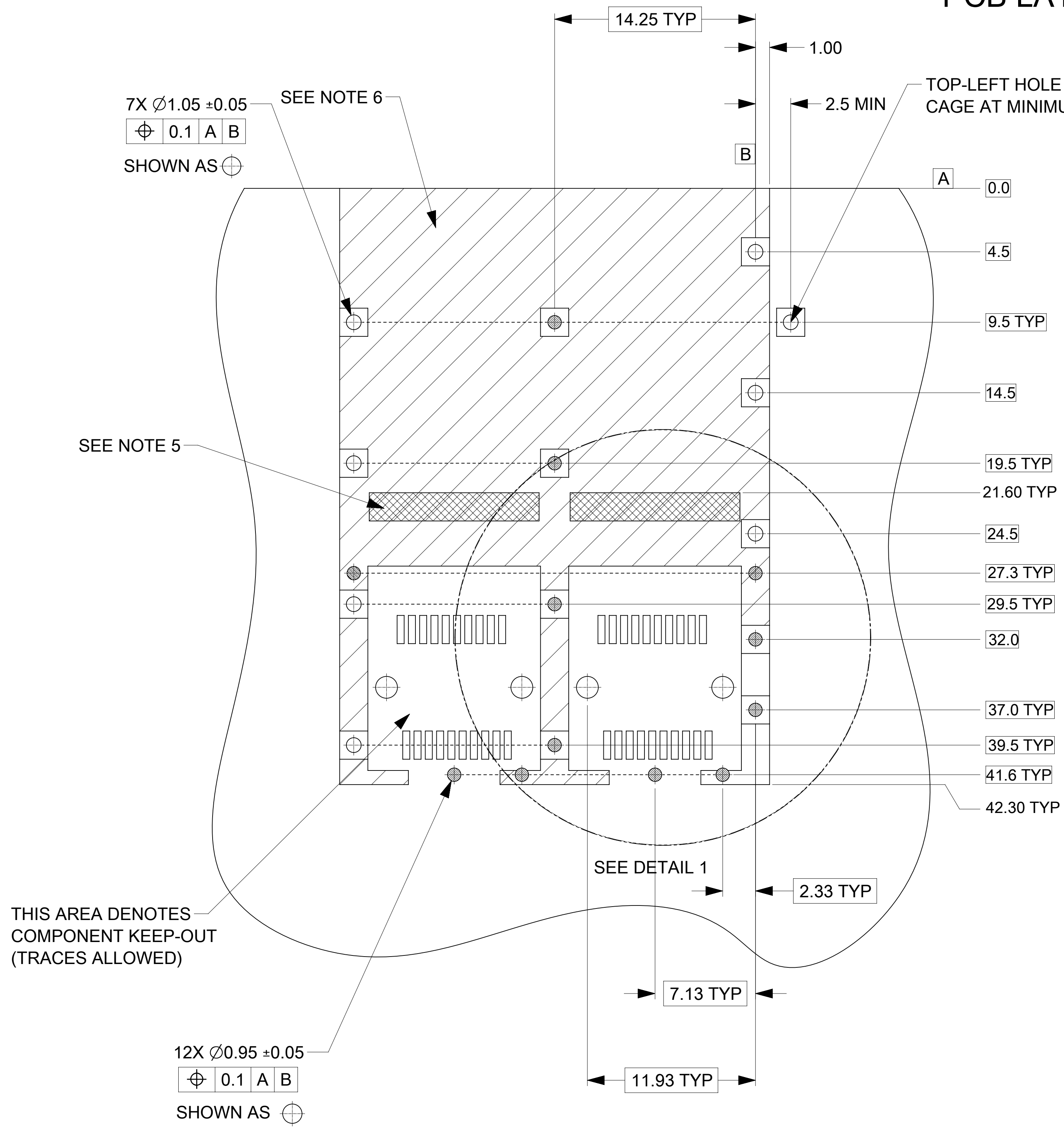
SFP+ CUSTOM HEATSINK OPTION	
PART NO.	
1111120226	



SFP+ LATERAL FIN HEATSINK OPTION	
PART NO.	APPLICATION
1111127220	PCI

THIS DRAWING CONTAINS INFORMATION THAT IS PROPRIETARY TO MOLEX ELECTRONIC TECHNOLOGIES, LLC AND SHOULD NOT BE USED WITHOUT WRITTEN PERMISSION											
DIMENSION UNITS mm		SCALE 2:1		CURRENT REV DESC: OBSOLETE PART NUMBER AS PER PCN#509457.				molex		SFP+ 1X2 CAGE, .120 INCH PRESS FIT, HEAT SINK, EMI SPRING FINGERS	
GENERAL TOLERANCES (UNLESS SPECIFIED)						EC NO: 680890					
		MM		INCH		DRWN: SANTHN 2021/06/24					
4 PLACES ±		±		±		CHK'D: GGA 2021/11/25					
3 PLACES ±		±		±		APPR: GGA 2021/11/25					
2 PLACES ±		0.13		±		INITIAL REVISION:					
1 PLACE ±		0.25		±		DRWN: JERWIN 2013/11/21					
0 PLACES ±		±		±		APPR:					
ANGULAR TOL		±		°		THIRD ANGLE PROJECTION		DRAWING		SERIES	
DRAFT WHERE APPLICABLE MUST REMAIN WITHIN DIMENSIONS		THIRD ANGLE PROJECTION		DRAWING		SERIES		MATERIAL NUMBER		CUSTOMER	
		D-SIZE		111112		SEE SHEET 4		GENERAL MARKET		SHEET NUMBER	
										4 OF 8	

PCB LAYOUT - SINGLE SIDE ONLY



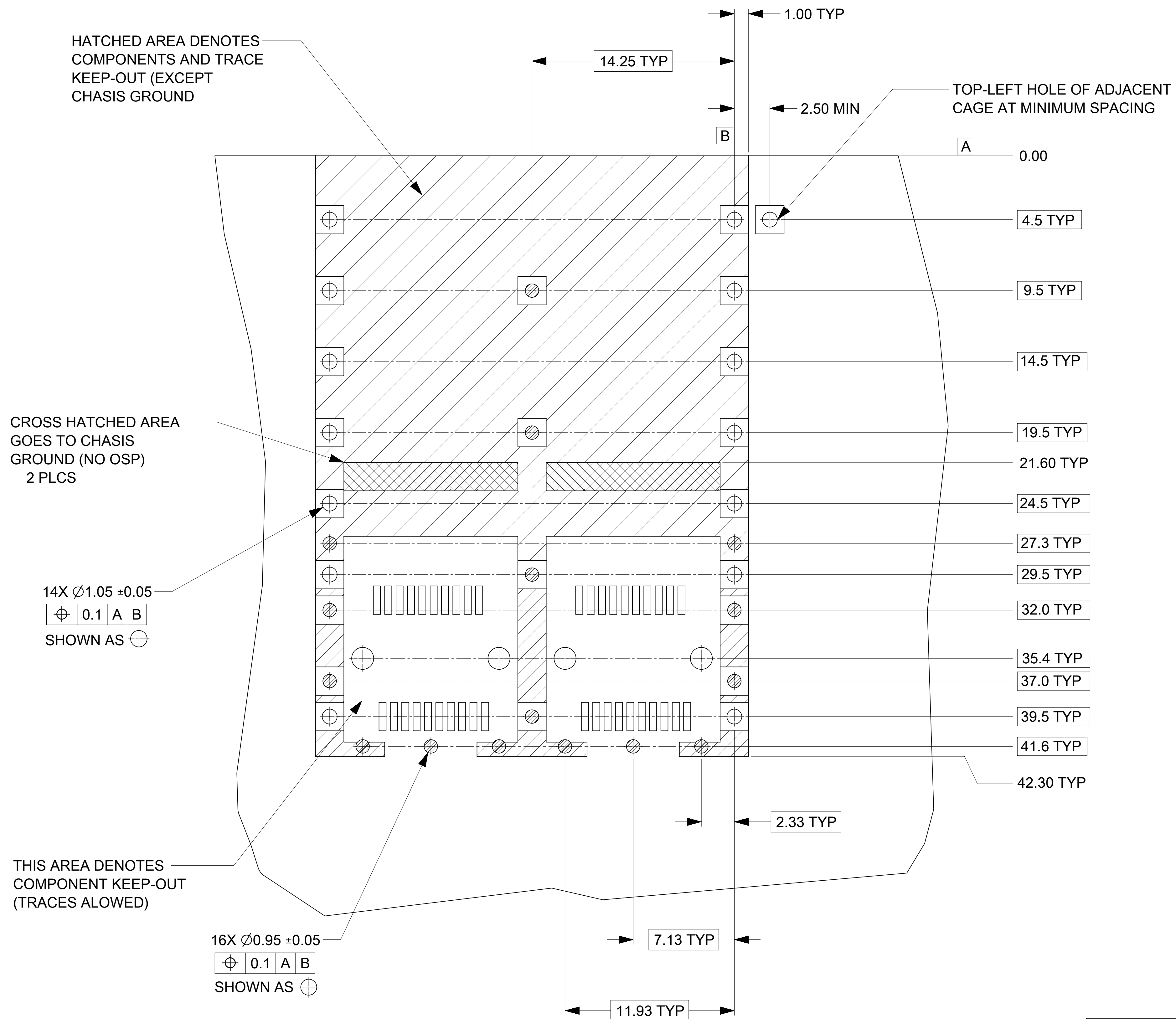
NOTES:

- PADS AND VIAS CONNECT TO CHASSIS GROUND
RECOMMEND PADS TO BE 2.00mm SQUARE
- RECOMMENDED THRU HOLE PLATING INCLUDES HASL, OSP, OR IMMERSION (GOLD, SILVER, OR TIN)
- CONNECTOR PAD LAYOUT PER SFP+ MSA WILL ACCOMODATE MOLEX CONNECTOR SERIES 74441 OR EQUIVALENT.
- SPACING BETWEEN PORTS IS 14.25mm
- CROSS-HATCHED AREA IS EXPOSED CHASSIS GROUND (NO OSP)
- HATCHED AREA IS COMPONENT AND TRACE KEEP-OUT (EXCEPT CHASSIS GROUND)
- 1.57mm [.062 INCH] MINIMUM PCB THICKNESS FOR SINGLE SIDED USE.

THIS DRAWING CONTAINS INFORMATION THAT IS PROPRIETARY TO MOLEX ELECTRONIC TECHNOLOGIES, LLC AND SHOULD NOT BE USED WITHOUT WRITTEN PERMISSION

DIMENSION UNITS mm	SCALE 5:1	CURRENT REV DESC: OBSOLETE PART NUMBER AS PER PCN#509457.					
GENERAL TOLERANCES (UNLESS SPECIFIED)		EC NO: 680890					
4 PLACES ±	±	DRWN: SANTHN 2021/06/24		PRODUCT CUSTOMER DRAWING			
3 PLACES ±	±	CHK'D: GGA 2021/11/25		DOCUMENT NUMBER			
2 PLACES ±	0.13 ±	APPR: GGA 2021/11/25		DOC TYPE DOC PART REVISION			
1 PLACE ±	0.25 ±	INITIAL REVISION:		SD-111112-2220			
0 PLACES ±	±	DRWN: JERWIN 2013/11/21		PSD 001 J			
ANGULAR TOL ± °	± °	APPR:		MATERIAL NUMBER CUSTOMER SHEET NUMBER			
DRAFT WHERE APPLICABLE MUST REMAIN WITHIN DIMENSIONS		THIRD ANGLE PROJECTION		DRAWING		SERIES	
				D-SIZE		111112	
				SEE SHEET 4		GENERAL MARKET 5 OF 8	

PCB LAYOUT FOR BELLY TO BELLY MOUNTING



HATCHED AREA DENOTES COMPONENTS AND TRACE KEEP-OUT (EXCEPT CHASSIS GROUND)

CROSS HATCHED AREA GOES TO CHASSIS GROUND (NO OSP) 2 PLCS

14X Ø1.05 ±0.05
 ⊕ 0.1 A B
 SHOWN AS ⊕

THIS AREA DENOTES COMPONENT KEEP-OUT (TRACES ALLOWED)

16X Ø0.95 ±0.05
 ⊕ 0.1 A B
 SHOWN AS ⊕

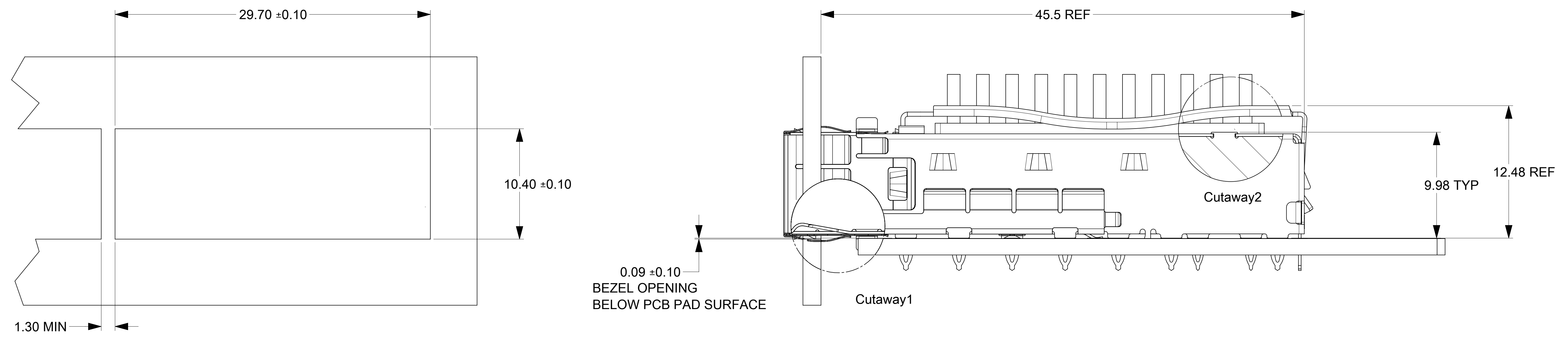
TOP-LEFT HOLE OF ADJACENT CAGE AT MINIMUM SPACING

NOTE:
 SEE SHEET 5 FOR HOST CONNECTOR DETAIL

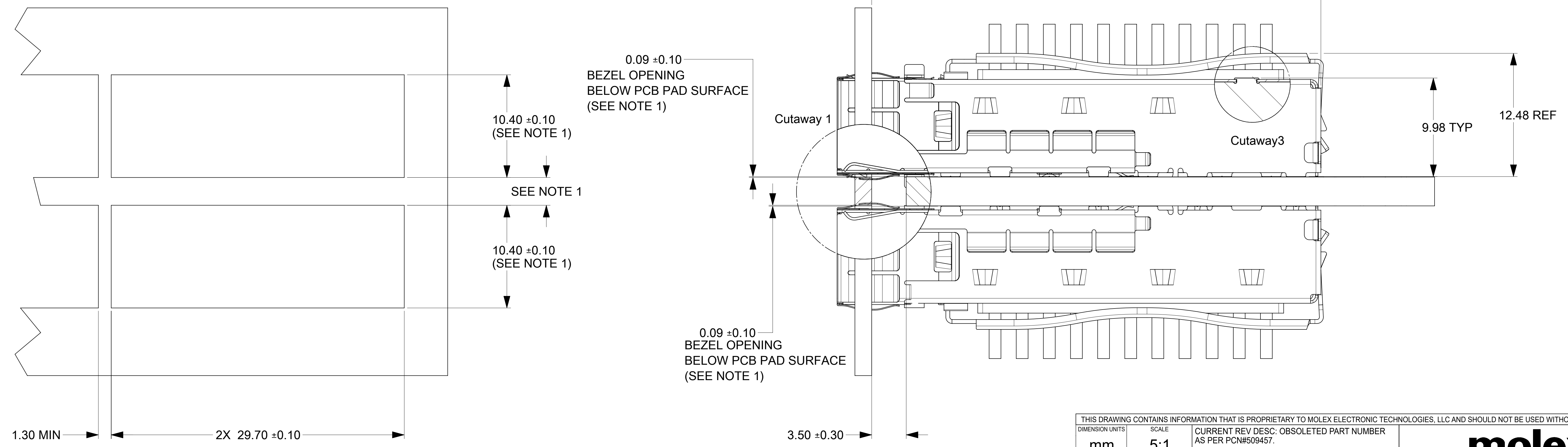
- NOTES:
1. PADS AND VIAS CONNECT TO CHASSIS GROUND
 RECOMMEND PADS TO BE 2.00mm SQUARE
 2. RECOMMENDED THRU HOLE PLATING INCLUDES HASL, OSP, OR IMMERSION (GOLD, SILVER, OR TIN)
 3. CONNECTOR PAD LAYOUT PER SFP+ MSA WILL ACCOMODATE MOLEX CONNECTOR SERIES 74441 OR EQUIVALENT.
 4. SPACING BETWEEN PORTS IS 14.25mm.
 5. 3.00mm [.118 INCH] MINIMUM PCB THICKNESS FOR BELLY TO BELLY USE.

THIS DRAWING CONTAINS INFORMATION THAT IS PROPRIETARY TO MOLEX ELECTRONIC TECHNOLOGIES, LLC AND SHOULD NOT BE USED WITHOUT WRITTEN PERMISSION												
DIMENSION UNITS		SCALE		CURRENT REV DESC: OBSOLETE PART NUMBER AS PER PCN#509457.								
mm		6:1										
GENERAL TOLERANCES (UNLESS SPECIFIED)				EC NO: 680890				SFP+ 1X2 CAGE, .120 INCH PRESS FIT, HEAT SINK, EMI SPRING FINGERS				
		MM		INCH		DRWN: SANTHN 2021/06/24		PRODUCT CUSTOMER DRAWING				
4 PLACES		±		±		CHK'D: GGA 2021/11/25		DOCUMENT NUMBER				
3 PLACES		±		±		APPR: GGA 2021/11/25		SD-11112-2220		PSD	001	J
2 PLACES		±		0.13		INITIAL REVISION:		DOC TYPE	DOC PART	REVISION		
1 PLACE		±		0.25		DRWN: JERWIN 2013/11/21		SD-11112-2220	PSD	001	J	
0 PLACES		±		±		APPR:		MATERIAL NUMBER	CUSTOMER		SHEET NUMBER	
ANGULAR TOL		±		°		THIRD ANGLE PROJECTION		SEE SHEET 4	GENERAL MARKET		6 OF 8	
DRAFT WHERE APPLICABLE MUST REMAIN WITHIN DIMENSIONS				THIRD ANGLE PROJECTION		DRAWING		SERIES				
						D-SIZE		111112				

BEZEL AND BOARD POSITION DIMENSIONS FOR SINGLE SIDE MOUNTING (SPRING FINGER)



BEZEL AND BOARD POSITION DIMENSIONS FOR BELLY TO BELLY MOUNTING (SPRING FINGER)



NOTE:
 1. PCB THICKNESS VARIATION MUST BE CONSIDERED WHEN DETERMINING BEZEL OPENING SIZE AND LOCATION.
 2. CAGE LEG STANDOFF WILL PIERCE BELLY GASKET WHEN PROPERLY PRESSED INTO PCB.

THIS DRAWING CONTAINS INFORMATION THAT IS PROPRIETARY TO MOLEX ELECTRONIC TECHNOLOGIES, LLC AND SHOULD NOT BE USED WITHOUT WRITTEN PERMISSION																									
DIMENSION UNITS	SCALE	CURRENT REV DESC: OBSOLETE PART NUMBER AS PER PCN#509457.																							
mm	5:1	<table style="width: 100%; border: none;"> <tr> <td style="width: 50%; font-size: 8px;">EC NO: 680890</td> <td style="width: 50%; font-size: 8px;">2021/06/24</td> </tr> <tr> <td style="font-size: 8px;">DRWN: SANTHN</td> <td style="font-size: 8px;">2021/11/25</td> </tr> <tr> <td style="font-size: 8px;">CHK'D: GGA</td> <td style="font-size: 8px;">2021/11/25</td> </tr> <tr> <td style="font-size: 8px;">APPR: GGA</td> <td style="font-size: 8px;">2021/11/25</td> </tr> <tr> <td style="font-size: 8px;">INITIAL REVISION:</td> <td style="font-size: 8px;">2013/11/21</td> </tr> <tr> <td style="font-size: 8px;">DRWN: JERWIN</td> <td style="font-size: 8px;">2013/11/21</td> </tr> <tr> <td style="font-size: 8px;">APPR:</td> <td style="font-size: 8px;"></td> </tr> </table>										EC NO: 680890	2021/06/24	DRWN: SANTHN	2021/11/25	CHK'D: GGA	2021/11/25	APPR: GGA	2021/11/25	INITIAL REVISION:	2013/11/21	DRWN: JERWIN	2013/11/21	APPR:	
EC NO: 680890	2021/06/24																								
DRWN: SANTHN	2021/11/25																								
CHK'D: GGA	2021/11/25																								
APPR: GGA	2021/11/25																								
INITIAL REVISION:	2013/11/21																								
DRWN: JERWIN	2013/11/21																								
APPR:																									
GENERAL TOLERANCES (UNLESS SPECIFIED)																									
4 PLACES ±	±																								
3 PLACES ±	±																								
2 PLACES ±	0.13 ±																								
1 PLACE ±	0.25 ±																								
0 PLACES ±	±																								
ANGULAR TOL	± °																								
DRAFT WHERE APPLICABLE MUST REMAIN WITHIN DIMENSIONS	THIRD ANGLE PROJECTION	DRAWING	SERIES	MATERIAL NUMBER	CUSTOMER	SHEET NUMBER																			
		D-SIZE	111112	SEE SHEET 4	GENERAL MARKET	7 OF 8																			

molex

SFP+ 1X2 CAGE, .120 INCH
PRESS FIT, HEAT SINK, EMI SPRING FINGERS

PRODUCT CUSTOMER DRAWING

DOCUMENT NUMBER	DOC TYPE	DOC PART	REVISION
SD-111112-2220	PSD	001	J

DATE	REV	DESCRIPTION
2011/06/10	A	INITIAL RELEASE
2011/06/15	A1	SHEET 1: REMOVED HEATSINK OPENING REFERENCE DIMENSIONS AND WEEK 52 REFERENCE; SHEET 4: ADDED NOTES POINTING TO THE INNER WALL COINED OVER THE COVER.
2011/07/22	B	ADDED HOLES IN CAGE FOR LIGHTPIPES; MOVED DATE CODE; REVISED ROHS NOTE 5; CHANGED HEATSINK HEIGHT FROM 8.63 TO 6.5; TABULARIZED PCI, SAN, AND NETWORKING; AND ADDED HEATSINK HEIGHT WITH MODULE INSERTED.
2011/08/19	B1	UPDATED CAGE AND SPRING CLIP MODELS.
2012/10/25	C	SHEET 1: REMOVED HEATSINKS, AND ALL DIMS AND ANNOTATIONS RELATING TO THEM, FROM ALL VIEWS; REMOVED NOTE 6; REMOVED EXPLODED VIEW; REMOVED PART NUMBER TABLE; ADDED TITLE. NEW SHEET 2: ISO VIEWS OF CAGE WITH NO HEATSINKS AND VIEWS WITH EACH OF FOUR TYPES AND SIZES OF HEATSINK; ANNOTATIONS ON EACH VIEW INDICATING EACH HEATSINK TYPE AND SIZE; RIGHT SIDE VIEW WITH DIM OF HEATSINK HEIGHT; TABLE UNDER EACH VIEW WITH HEATSINK SIZES AND DIMS; NOTE 1; SHEET TITLE. NEW SHEET 3: ISO VIEWS OF CAGE WITH NO HEATSINKS AND VIEWS WITH EACH OF FOUR DIFFERENT TYPES OF HEATSINK; TABLES UNDER EACH VIEW WITH PART NUMBERS OF EACH SIZE; SHEET TITLE.
2014/02/07	D	SHEET 1: REVISED ALL BASE CAGE DETAILS AND VIEWS FROM 111112-0232 TO 74754-0220. REMOVED INSERTION FORCE INTO PCB FROM NOTE 2. REVISED NOTE 4: "WAS" WELD SPOT WILL SHOW SLIGHT MATERIAL DISCOLORATION. "NOW READS" WELD SPOT MAY SHOW SLIGHT MATERIAL DISCOLORATION. SHEET 2: REVISED ALL HEAT SINK CAGE ASSEMBLY OPTIONS, ADDED OPEN TOP VIEW WITH DIMENSIONS, AND REAR LEG OPTION VIEW. ADDED SHEET 3 WITH ZSFP+ OPTIONS SHEET 4: ADDED PART NUMBERS 747540220, 1001130220. UPDATED TITLE BLOCK.
2014/08/13	E	SHEET 1: ADDED "REF" TO DIM 10.85 AND 28.25. ADDED 14.0 ±0.1. MOVED "MINIMUM PCB THICKNESS" NOTES FROM SHEET 1 TO SHEETS 5 AND 6.
2014/08/21	F	SHEET 1: ADDED 747540247 NO NEED PRINTED @C6. SHEET 1: ADDED P/N AND DATE CODE PRINTED NOTE @D11. SHEET 4: ADDED P/N 747540247 IN TABLE @I18.
2015/02/26	G	SHEET 3: ADDED NOTE 1 "UNDER BELLY GASKET IS UL94 V-0 RATED." SHEET 4: ADDED "5 WELD POINTS" INTO 747540220 @I17. SHEET 4: ADDED P/N 747540222 @I17. SHEET 7: ADDED NOTE 2 "CAGE LEG STANDOFF WILL PIERCE BELLY GASKET WHEN PROPERLY PRESSED INTO PCB."
2015/08/26	H	SHEET 2: E3 : ADDED NEW CUSTOM FIN HEATSINK ISOVIEW SHEET 4: E3 : ADDED PART NO. 111112-6221 ISOVIEW MODIFIED PCB LAYOUT PER SFF-8433 SHEET 5: K19 : CHANGED TURE POSITION OF PCB HOLES FORM 0.05 TO 0.1 D17 : CHANGED TURE POSITION OF PCB HOLES FORM 0.05 TO 0.1 SHEET 6: G19 : CHANGED TURE POSITION OF PCB HOLES FORM 0.05 TO 0.1 B18 : CHANGED TURE POSITION OF PCB HOLES FORM 0.05 TO 0.1
2021/06/24	J	OBSOLETED P/N ARE REMOVED 1111126221, 1111121220, 1111123220, 1111124220, 1111125220, 1111126220, 1111128220, 1111129220.

THIS DRAWING CONTAINS INFORMATION THAT IS PROPRIETARY TO MOLEX ELECTRONIC TECHNOLOGIES, LLC AND SHOULD NOT BE USED WITHOUT WRITTEN PERMISSION											
DIMENSION UNITS mm		SCALE 2:1		CURRENT REV DESC: OBSOLETED PART NUMBER AS PER PCN#509457.				molex		SFP+ 1X2 CAGE, .120 INCH PRESS FIT, HEAT SINK, EMI SPRING FINGERS	
GENERAL TOLERANCES (UNLESS SPECIFIED)				EC NO: 680890		2021/06/24					
		MM		INCH		DRWN: SANTHN		2021/11/25		PRODUCT CUSTOMER DRAWING	
4 PLACES ±		±		±		CHK'D: GGA		2021/11/25		DOCUMENT NUMBER	
3 PLACES ±		±		±		APPR: GGA		2021/11/25		DOC TYPE	
2 PLACES ±		0.13		±		INITIAL REVISION:		2013/11/21		DOC PART	
1 PLACE ±		0.25		±		DRWN: JERWIN		2013/11/21		REVISION	
0 PLACES ±		±		±		APPR:				SD-111112-2220	
ANGULAR TOL ± °		± °		± °		THIRD ANGLE PROJECTION		DRAWING		SERIES	
DRAFT WHERE APPLICABLE MUST REMAIN WITHIN DIMENSIONS		THIRD ANGLE PROJECTION		DRAWING		SERIES		MATERIAL NUMBER		CUSTOMER	
		D-SIZE		111112		SEE SHEET 4		GENERAL MARKET		SHEET NUMBER	
										8 OF 8	